



Chipsmall Limited consists of a professional team with an average of over 10 year of expertise in the distribution of electronic components. Based in Hongkong, we have already established firm and mutual-benefit business relationships with customers from,Europe,America and south Asia,supplying obsolete and hard-to-find components to meet their specific needs.

With the principle of “Quality Parts,Customers Priority,Honest Operation,and Considerate Service”,our business mainly focus on the distribution of electronic components. Line cards we deal with include Microchip,ALPS,ROHM,Xilinx,Pulse,ON,Everlight and Freescale. Main products comprise IC,Modules,Potentiometer,IC Socket,Relay,Connector.Our parts cover such applications as commercial,industrial, and automotives areas.

We are looking forward to setting up business relationship with you and hope to provide you with the best service and solution. Let us make a better world for our industry!



Contact us

Tel: +86-755-8981 8866 Fax: +86-755-8427 6832

Email & Skype: info@chipsmall.com Web: www.chipsmall.com

Address: A1208, Overseas Decoration Building, #122 Zhenhua RD., Futian, Shenzhen, China



NOTES:

Mechanical Note:

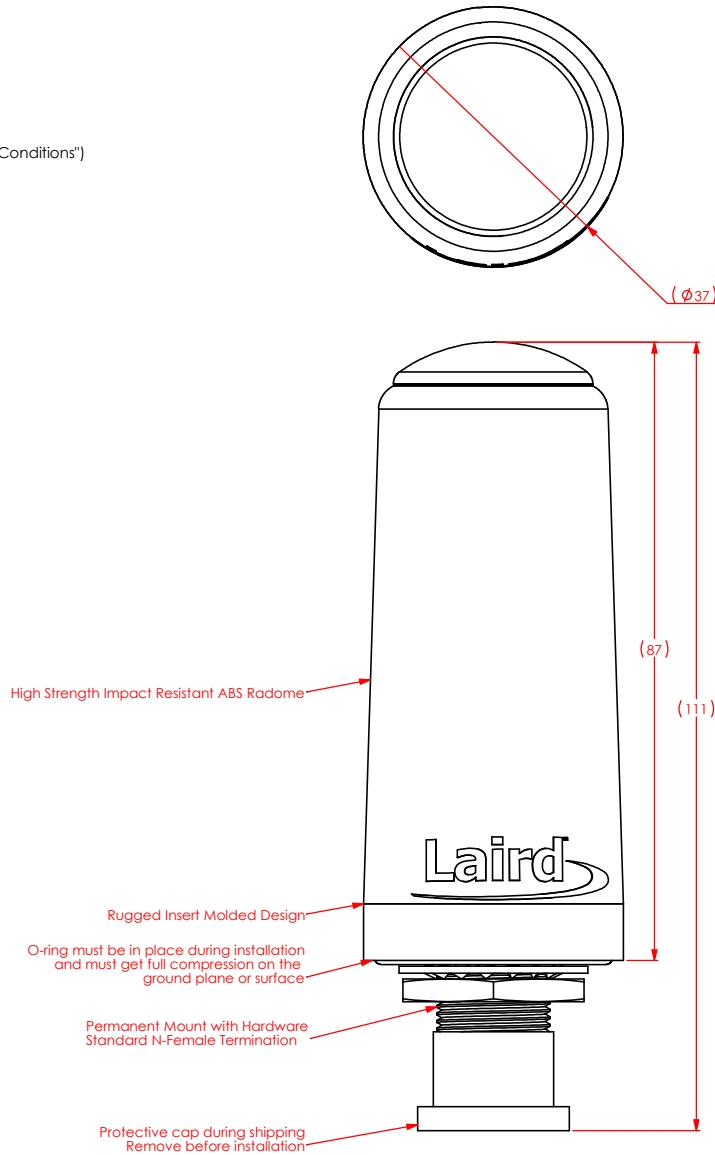
- Overall Height: ~ 87 mm from Mounting Surface
- Weight: 0.42 lbs
- IP Rating: IP67
- Operating temp: -35 °C to +65 °C
- Storage Temp: -45 °C to +65 °C
- Color: White
- Mounting: Permanent Mount (See "Recommended Mounting Conditions")
- Installation Torque: 4 - 6 ft*lbs on Nut

Electrical Note:

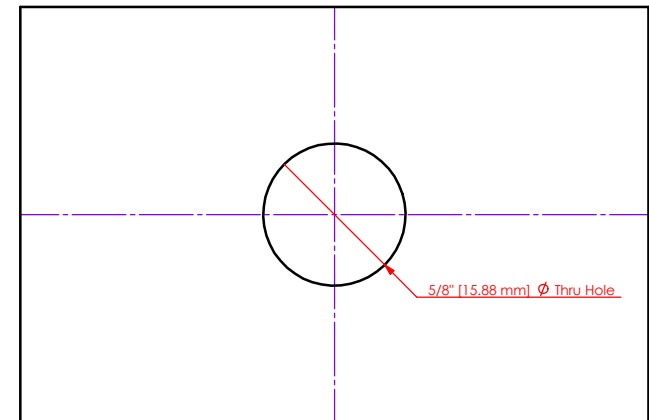
- Frequency: VSWR
 698 - 806 MHz: < 2.5 : 1.0
 806 - 960 MHz: < 2.0 : 1.0
 1710 - 2700 MHz: < 2.0:1.0
- Nominal Impedance: 50 OHM
- Polarization: Vertical
- Pattern: Omnidirectional
- Ground Plane: No Ground Plane Required

Packaging Note:

- Laird Technologies SKU: TRA6927M3PWN-001
- Package: S1136
- Units per Package: 1
- Package Label: Printed Bag



REVISIONS					
ZONE	REV.	DESCRIPTION	DATE	DRAWN BY	ECR NUMBER
ALL	AA	INITIAL RELEASE	23SEP14	BPH	ECN-MS-0311B



Recommended Mounting Conditions:
 Surface should be as flat and clean as possible
 Hole should be centered as much as possible

Notes:

THE COMPONENT(S), INCLUDING ANY PLATING, FINISHES, COATINGS, CHEMICALS AND SURFACES TREATMENTS, SUPPLIED IN THIS DOCUMENT/DRAWING MUST CONFORM AND COMPLY WITH THE LATEST ISSUE OF LAIRD TECHNOLOGIES SPECIFICATION LT-GES-001, WHICH FULLY INCLUDES BUT IS NOT LIMITED TO ALL CONTENTS OF EU DIRECTIVES 2002/96/EC (ROHS DIRECTIVE), AS WELL AS INCLUDES REQUIREMENTS OF THE JOINT INDUSTRY GUIDE STANDARD JIG-101, APRIL 2005. THE COMPONENT(S) IN THIS DOCUMENT/DRAWING MAY BE SUBJECT TO A FULL COMPOUND ANALYSIS FOR PROOF OF COMPLIANCE. THE LATEST ISSUE OF LAIRD TECHNOLOGIES SPECIFICATION LT-GES-001, (GENERAL SPECIFICATION FOR THE ENVIRONMENT) IS READILY AVAILABLE UPON REQUEST FROM THE SUPPLIER.

UNLESS OTHERWISE NOTED, THIS DOCUMENT CONTAINS LAIRD TECHNOLOGIES CONFIDENTIAL INFORMATION. REPRODUCTION, USE, DISCLOSURE OR TRANSMITTAL OF ALL OR ANY PART OF THIS DOCUMENT IS PROHIBITED EXCEPT TO THE EXTENT APPROVED IN WRITING BY AN AUTHORIZED REPRESENTATIVE OF LAIRD TECHNOLOGIES. LAIRD TECHNOLOGIES RESERVES ALL RIGHTS UNDER PATENTS, TRADEMARKS, COPY RIGHTS AND TRADE SECRET COPYRIGHT, LAIRD TECHNOLOGIES 2008, ALL RIGHTS RESERVED.

MATERIAL: N/A

FINISH: N/A

APPROVALS: ME: B. HOFFMAN DATE: 23SEP14

RF: R. HARO DATE: 23SEP14

EM:

Prod:

WEIGHT:

PREVIOUS#

SCALE:

THIRD ANGLE PROJECTION

INTERPRET DIMENSIONING AND TOLERANCING IN ACCORDANCE WITH ASME Y14.5M-1994

DO NOT SCALE DRAWING

TOLERANCES UNLESS OTHERWISE SPECIFIED

DIMENSIONS ARE IN MILLIMETERS

ANGLE: 0 PLACE DECIMAL: ±30'

1 PLACE DECIMAL: ±0.5

2 PLACE DECIMAL: ±0.13



TITLE: MOUNTING & OUTLINE
 TRA6927M3PWN-001

SIZE: A2 DWG NO. TRA6927M3PWN-001MO

REV: AA

SHEET 1 OF 1