



Chipsmall Limited consists of a professional team with an average of over 10 year of expertise in the distribution of electronic components. Based in Hongkong, we have already established firm and mutual-benefit business relationships with customers from,Europe,America and south Asia,supplying obsolete and hard-to-find components to meet their specific needs.

With the principle of “Quality Parts,Customers Priority,Honest Operation,and Considerate Service”,our business mainly focus on the distribution of electronic components. Line cards we deal with include Microchip,ALPS,ROHM,Xilinx,Pulse,ON,Everlight and Freescale. Main products comprise IC,Modules,Potentiometer,IC Socket,Relay,Connector.Our parts cover such applications as commercial,industrial, and automotives areas.

We are looking forward to setting up business relationship with you and hope to provide you with the best service and solution. Let us make a better world for our industry!



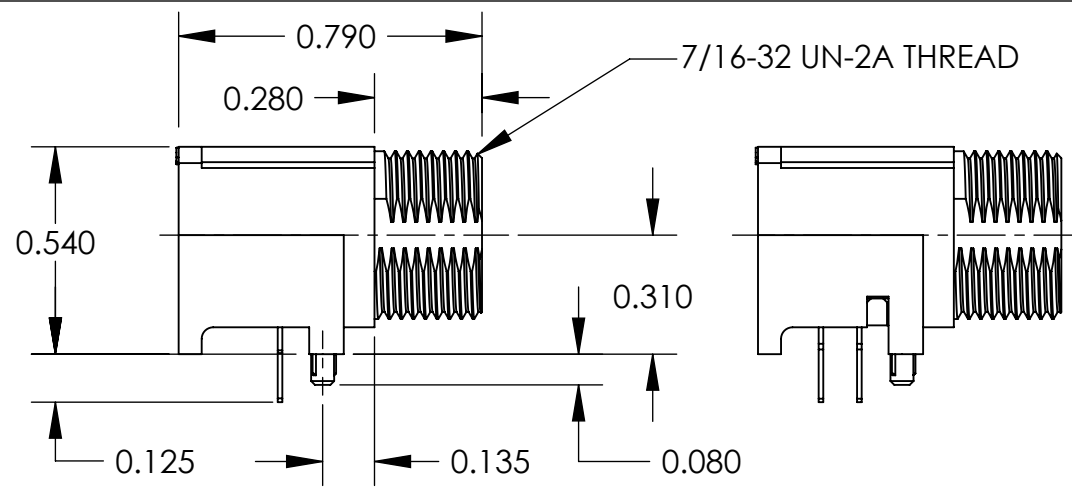
Contact us

Tel: +86-755-8981 8866 Fax: +86-755-8427 6832

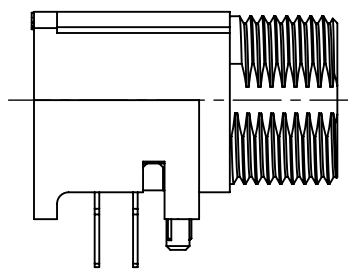
Email & Skype: info@chipsmall.com Web: www.chipsmall.com

Address: A1208, Overseas Decoration Building, #122 Zhenhua RD., Futian, Shenzhen, China

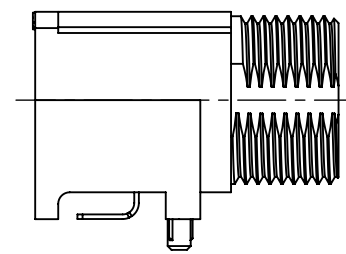




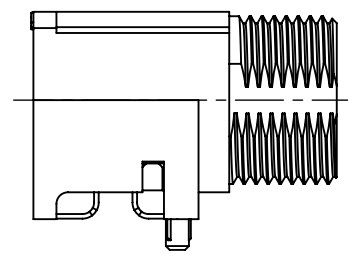
**THRU HOLE TERMINATION
SINGLE ROW
(3 & 4 PIN)**



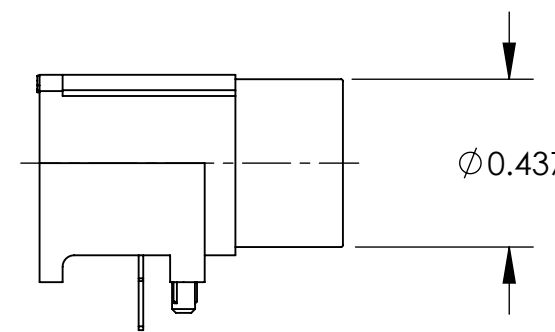
**THRU HOLE TERMINATION
DOUBLE ROW
(5, 6, 7, & 8 PIN)**



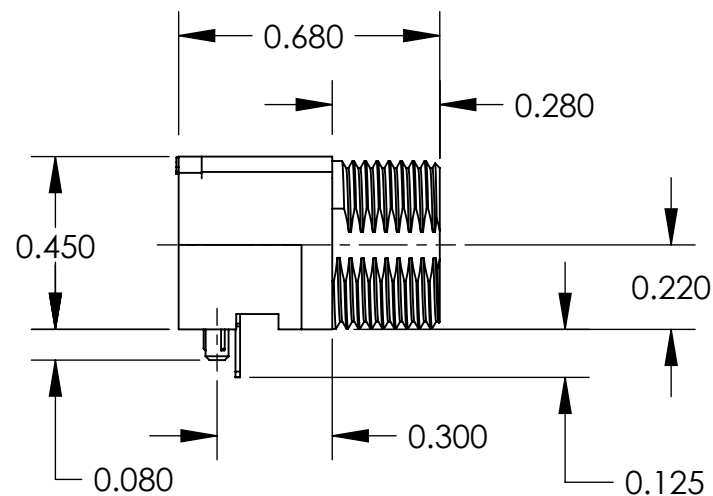
**SURFACE MOUNT TERMINATION
SINGLE ROW
(3 & 4 PIN)**



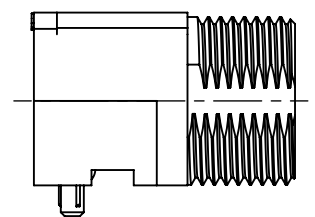
**SURFACE MOUNT TERMINATION
DOUBLE ROW
(5, 6, 7, & 8 PIN)**



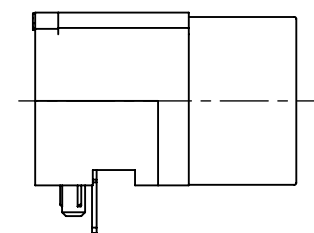
**NO THREAD OPTION
(SINGLE ROW THRU HOLE SHOWN)**



**SMALL PROFILE
THRU HOLE TERMINATION**



**SMALL PROFILE
SURFACE MOUNT TERMINATION**



**SMALL PROFILE
NO THREAD OPTION
(THRU HOLE SHOWN)**

T R A P C 3 M S 1 T 1 5 X

TINI QG

RIGHT ANGLE

TERMINATION

PC = THRU HOLE
SM = SURFACE MOUNT

CONTACT CONFIGURATION

3 THRU 8

CONTACT GENDER

M = MALE

RoHS COMPLIANT

REEL SIZE

OPTIONAL PACKAGING

TR = TAPE AND REEL
(STD PACKAGING - BULK)

OPTIONAL MODIFIER

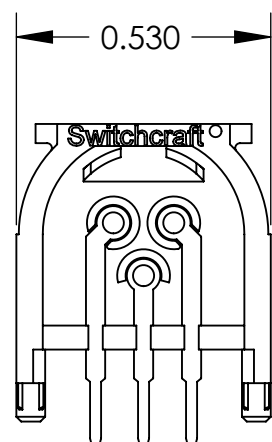
1 = NO THREAD

OPTIONAL MODIFIER

S = SMALL PROFILE
(AVAILABLE IN CONFIGURATIONS 3 & 4 ONLY)

NOTES:

1. THREADED CONNECTORS SUPPLIED WITH HEX NUT AND WASHER.
2. MATERIALS:
HOUSING - HIGH GRADE THERMOPLASTIC.
CONTACTS AND TERMINALS - BRASS, TIN PLATED.
NUT AND WASHER - BRASS, NICKEL PLATED.
3. THIS PRODUCT IS RoHS COMPLIANT.



**REAR VIEW
(3 PIN - THRU HOLE SHOWN)**

CUSTOMER DRAWING

REV	ECO NUMBER	DATE	BY	APVD
C	27093	2-7-13	TO	TJK
B	26682	5-19-11	TS	TJK
A	26066	7-8-06	TJK	TJK

★ STAR SYMBOL DENOTES CRITICAL DIMENSION

UNLESS OTHERWISE SPECIFIED

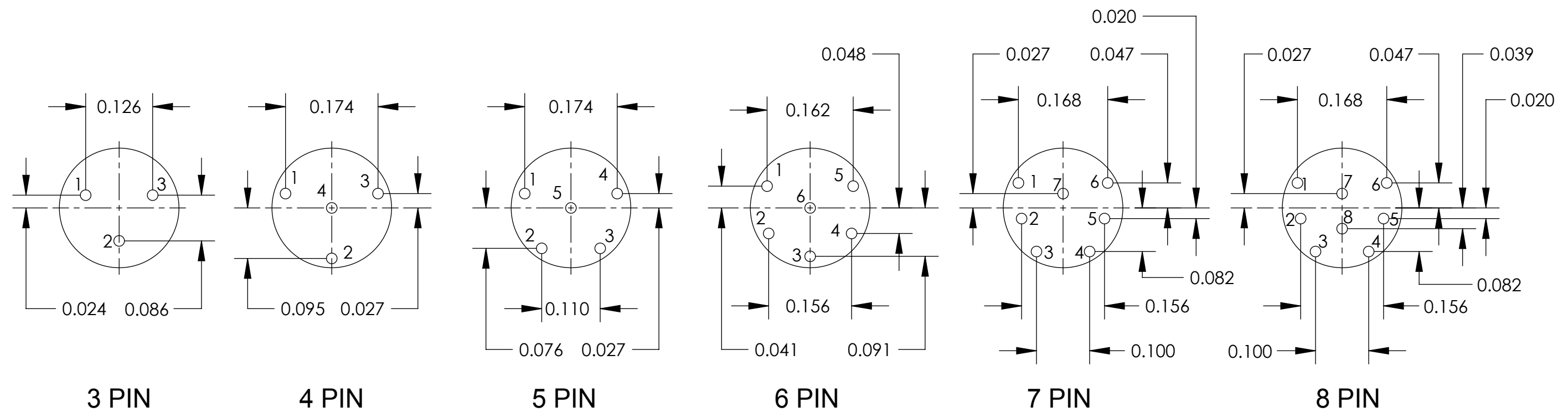
1. ALL DIMENSIONS IN INCHES
- TWO PLACE DECIMALS ±0.01
- THREE PLACE DECIMALS ±0.005
- ANGLES ±1°
- ALL DIA. CONCENTRIC WITHIN 0.005 T.I.R.
2. FEATURES ON THE SAME CENTERLINE
MUST BE ALIGNED WITHIN ±0.002
3. REMOVE ALL BURRS

DO NOT SCALE DRAWING

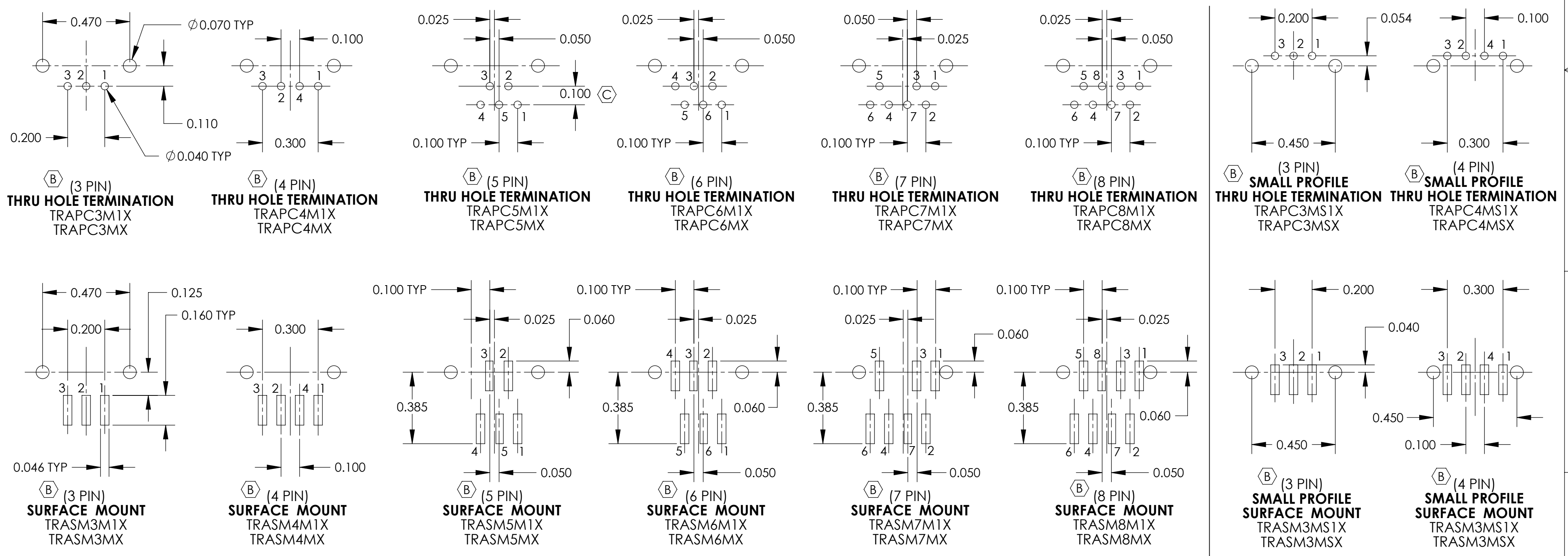
THIS DRAWING DESCRIBES A DESIGN CONSIDERED PROPRIETARY IN NATURE, DEVELOPED AND MANUFACTURED BY SWITCHCRAFT INC. AND IS RELEASED ON A CONFIDENTIAL BASIS FOR IDENTIFICATION PURPOSES ONLY.

SIZE	WIDTH	MULT	LBS/M	TEMPER
FINISH		MATERIAL		
SPEC No.		SPEC No.		
FIRST USED ON		SCALE 2:1		
DATE DRAWN	BY	CHKD	APVD	Switchcraft [®]
6-9-08	TJK	TJK	TJK	
NAME				PART No.
TINI QG CONNECTOR				TRAPC_X - TRASM_X SERIES
RIGHT ANGLE, PIN CONTACT, RoHS				REV C

SolidWorks CAD File **B**



CONTACT CONFIGURATIONS (FRONT VIEW)



RECOMMENDED PC BOARD LAYOUTS

SCALE 1:0.4	Switchcraft [®]	
DATE DRAWN 6-9-08		
DRAWN BY TJK	PART No. TRAPC_X - TRASM_X SERIES	REV C