



Chipsmall Limited consists of a professional team with an average of over 10 year of expertise in the distribution of electronic components. Based in Hongkong, we have already established firm and mutual-benefit business relationships with customers from,Europe,America and south Asia,supplying obsolete and hard-to-find components to meet their specific needs.

With the principle of “Quality Parts,Customers Priority,Honest Operation,and Considerate Service”,our business mainly focus on the distribution of electronic components. Line cards we deal with include Microchip,ALPS,ROHM,Xilinx,Pulse,ON,Everlight and Freescale. Main products comprise IC,Modules,Potentiometer,IC Socket,Relay,Connector.Our parts cover such applications as commercial,industrial, and automotives areas.

We are looking forward to setting up business relationship with you and hope to provide you with the best service and solution. Let us make a better world for our industry!



Contact us

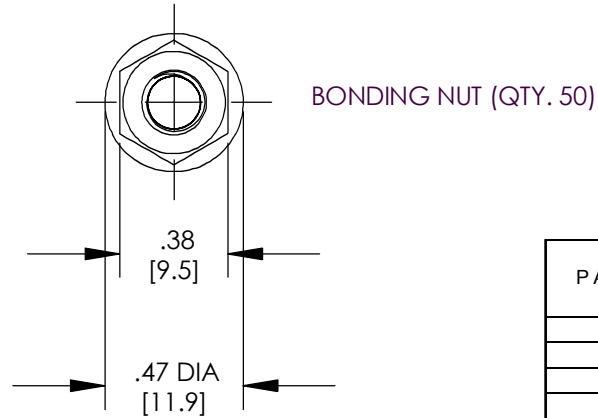
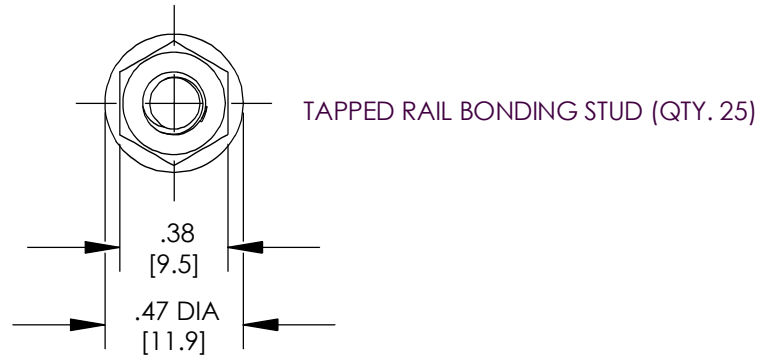
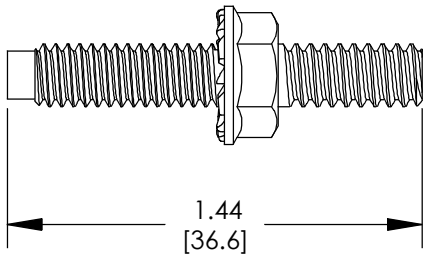
Tel: +86-755-8981 8866 Fax: +86-755-8427 6832

Email & Skype: info@chipsmall.com Web: www.chipsmall.com

Address: A1208, Overseas Decoration Building, #122 Zhenhua RD., Futian, Shenzhen, China



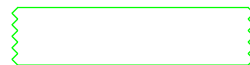
THIS COPY IS PROVIDED ON A RESTRICTED BASIS AND IS NOT TO BE USED IN ANY WAY DETRIMENTAL TO THE INTERESTS OF PANDUIT CORP.



NOTES:

1. TAPPED RAIL BONDING STUD KITS
PART NUMBER: TRBSK
TRBS1032K
TRBSM6K
TRBSM5K
2. PACKAGING: 4 KITS PER BOX
3. DIMENSIONS IN PARENTHESIS ARE MILLIMETERS.
4. ALL COMPONENTS THAT MAKE UP THIS KIT ARE RoHS COMPLIANT.

PART NUMBER	TAPPED RAIL BONDING STUD SIZE	QTY.	BONDING NUT SIZE	QTY.
TRBSK	#12-24	25	#12-24	50
TRBS1032K	#10-32	25	#10-32	50
TRBSM6K	M6	25	M6	50
TRBSM5K	M5	25	M5	50



5cc TUBE ANTI-OXIDANT PASTE (QTY. 1)

C41700_00

REV	DATE	BY	CHK	DESCRIPTION	ECN	PM	CUST
00	2/07	JHNU	JMAR	DRAWING RELEASED	PC00674		

PANDUIT CORP. TINLEY PARK, ILLINOIS

TAPPED RAIL BONDING STUD KITS
(TRBSK, TRBS1032K, TRBSM6K, TRBSM5K)
CUSTOMER DRAWING

DRAWN BY JHNU CHK'D SCALE NONE DRAWING NO / CAD FILE C41700