



Chipsmall Limited consists of a professional team with an average of over 10 year of expertise in the distribution of electronic components. Based in Hongkong, we have already established firm and mutual-benefit business relationships with customers from,Europe,America and south Asia,supplying obsolete and hard-to-find components to meet their specific needs.

With the principle of “Quality Parts,Customers Priority,Honest Operation,and Considerate Service”,our business mainly focus on the distribution of electronic components. Line cards we deal with include Microchip,ALPS,ROHM,Xilinx,Pulse,ON,Everlight and Freescale. Main products comprise IC,Modules,Potentiometer,IC Socket,Relay,Connector.Our parts cover such applications as commercial,industrial, and automotives areas.

We are looking forward to setting up business relationship with you and hope to provide you with the best service and solution. Let us make a better world for our industry!



## Contact us

Tel: +86-755-8981 8866 Fax: +86-755-8427 6832

Email & Skype: info@chipsmall.com Web: www.chipsmall.com

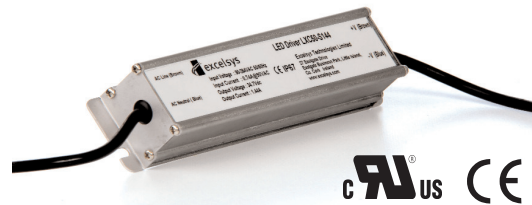
Address: A1208, Overseas Decoration Building, #122 Zhenhua RD., Futian, Shenzhen, China



# LXV36 series

## LED Power Supply

### Constant Voltage LED Power Supplies

LED Power  
36W

#### LED POWER

next generation power source

#### FEATURES

- High Efficiency (up to 88%)
- Active PFC (Typical 0.92)
- IP67 Waterproof
- OVP, SCP, OCP
- -35 to +70°C deg operation
- Universal Input 90-305VAC
- UL8750 recognised
- EN61347-1, -2-13 compliant

The LXV36 series of Constant Voltage LED power supplies from Excelsys Technologies can deliver up to 36W of output power in an extremely compact package size.

The LXV36 series of Constant Voltage LED power supplies provides up to 1500mA of output current and 48V output voltage solutions for specific LED requirements. With industry leading efficiencies, and an extensive protection feature set, the LXV36 series provides high reliability and high performance in a compact package

The LXV36 series carries the UL & CE mark for safety and is also RoHS compliant.

Model Number	Output Voltage	Output Current	Input Voltage	Efficiency
LXV36-024SW <sup>(3)</sup>	24V	1500mA	90-305VAC	87.0%
LXV36-036SW <sup>(3)</sup>	36V	1000mA	90-305VAC	87.0%
LXV36-048SW <sup>(4)</sup>	48V	750mA	90-305VAC	88.0%

Input Specifications					
Parameter	Conditions/Description	Min	Nom	Max	Units
<b>Input Voltage Range</b>	Universal Wide Input	90		305	VAC
<b>Input Frequency Range</b>		47		63	Hz
<b>Input Current</b>	100VAC in, 36W output			0.6	A
<b>Leakage Current</b>	277VAC Input, 50Hz			0.75	mA
<b>Inrush Current</b>	230VAC in, 25°C, Cold Start			60	A
<b>Power Factor</b>	220VAC, 110VAC	0.92		0.98	
Output Specifications					
Parameter	Conditions/Description	Min	Nom	Max	Units
<b>Line Regulation</b>				±2	%
<b>Load Regulation</b>				±3	%
<b>Output Voltage</b>	See individual models				VDC
<b>Output Current</b>	See individual models				mA
<b>Ripple and Noise</b>	20MHz Bandwidth. See Note 1	3.0		5.0	V
<b>Overshoot/Output Current</b>				10	%
<b>Turn-on Delay</b>	Measured at 220VAC and full load		0.3	0.5	s
<b>Short Circuit Protection</b>	Auto Recovery				
<b>Over Current Protection</b>	Hiccup, Auto recovery	110	125	170	%
<b>Over Voltage Protection</b>	Hiccup, Auto recovery	110	120	130	%
General Specifications					
Parameter	Conditions/Description	Min	Nom	Max	Units
<b>Isolation Voltage</b>	Input to Output See Note 2 Input to Chassis	3750 1500			VAC VAC
<b>Efficiency</b>	See individual models		88		%
<b>Safety Agency Approvals</b>	UL8750, EN61347-1, -2-13, UL1310 See Notes 3 & 4				
<b>No load Power Dissipation</b>	Measured at 230 Vac			4.0	W
<b>MTBF</b>	MIL-HDBK-217F, 110VAC input, 80% load, 25°C		469,000		Hours
<b>Lifetime</b>	110VAC input, 80% load, 45°C		74,000		Hours
<b>Weight</b>			480		g
<b>Operating Temperature</b>		-35		+70	°C
<b>Storage Temperature</b>		-40		+85	°C
<b>Relative Humidity</b>	Non-condensing (operating)	10		100	%RH

1

Specifications are subject to change without notice



#### Europe/Asia

Excelsys Technologies Ltd t: +353 21 4354716  
 27 Eastgate Drive f: +353 21 4354864  
 Eastgate Business Park e: sales@excelsys.com  
 Little Island, Cork, Ireland  
 IRELAND

#### North America

Excelsys Technologies t: (972) 771 4544  
 519 Interstate 30, #309 f: (972) 421 1805  
 Rockwall, TX 75087 e: salesusa@excelsys.com  
 USA

EMC				
Parameter	Standard		Level	Units
<b>Emissions</b>				
<b>Conducted</b>	EN55015		Compliant	
<b>Radiated</b>	EN55015		Compliant	
<b>Harmonic Distortion</b>	EN61000-3-2		Compliant	
<b>Flicker and Fluctuation</b>	EN61000-3-3		Compliant	
<b>Immunity</b>				
<b>ESD</b>	EN61000-4-2		Compliant	
<b>Radiated RFI</b>	EN61000-4-3		Compliant	
<b>Fast Transients - burst</b>	EN61000-4-4		Compliant	
<b>Conducted RFI</b>	EN61000-4-6		Compliant	
<b>Power Freq Magnetic Field</b>	EN61000-4-8		Compliant	
<b>Voltage Dips</b>	EN61000-4-11		Compliant	

Note 1. Output connected in parallel with 0.1uF ceramic capacitor and 10uF electrolytic capacitor.

Note 2. Primary to Secondary Isolation test not to be carried out on power supply.

Note 3. UL1310 Class 2 outputs for USA and Canada.

Note 4. UL1310 Class 2 output in USA only.

## INPUT / OUTPUT WIRING

### INPUT CABLE

SJTW 18AWG 3C

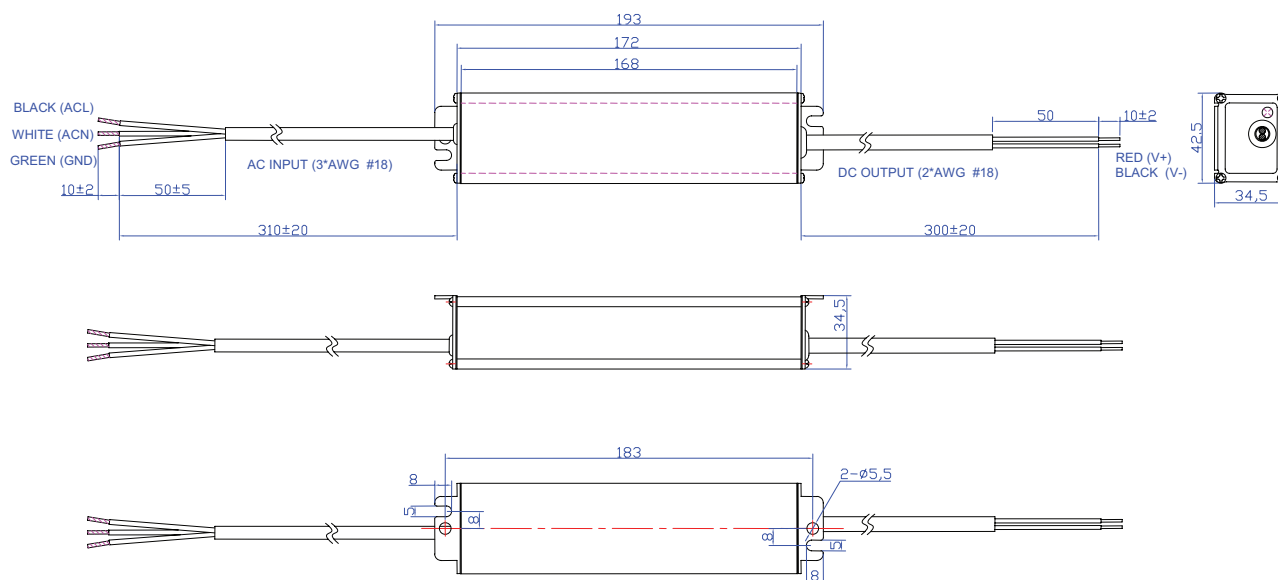
Black (L), White(N), Green (G)310±20mm

### OUTPUT CABLE

SJTW 18AWG 2C

Black (-V) and Red (+V) 300±20mm

## MECHANICAL SPECIFICATIONS



Specifications are subject to change without notice

### Europe/Asia

Excelsys Technologies Ltd t: +353 21 4354716  
27 Eastgate Drive f: +353 21 4354864  
Eastgate Business Park e: sales@excelsys.com  
Little Island, Cork, Ireland  
IRELAND

### North America

Excelsys Technologies t: (972) 771 4544  
519 Interstate 30, #309 f: (972) 421 1805  
Rockwall, TX 75087 e: salesusa@excelsys.com  
USA