



Chipsmall Limited consists of a professional team with an average of over 10 year of expertise in the distribution of electronic components. Based in Hongkong, we have already established firm and mutual-benefit business relationships with customers from,Europe,America and south Asia,supplying obsolete and hard-to-find components to meet their specific needs.

With the principle of “Quality Parts,Customers Priority,Honest Operation,and Considerate Service”,our business mainly focus on the distribution of electronic components. Line cards we deal with include Microchip,ALPS,ROHM,Xilinx,Pulse,ON,Everlight and Freescale. Main products comprise IC,Modules,Potentiometer,IC Socket,Relay,Connector.Our parts cover such applications as commercial,industrial, and automotives areas.

We are looking forward to setting up business relationship with you and hope to provide you with the best service and solution. Let us make a better world for our industry!



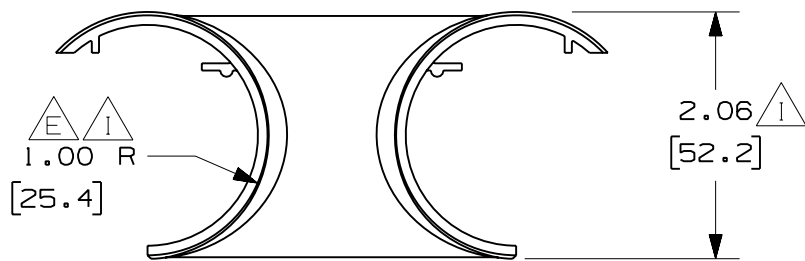
Contact us

Tel: +86-755-8981 8866 Fax: +86-755-8427 6832

Email & Skype: info@chipsmall.com Web: www.chipsmall.com

Address: A1208, Overseas Decoration Building, #122 Zhenhua RD., Futian, Shenzhen, China

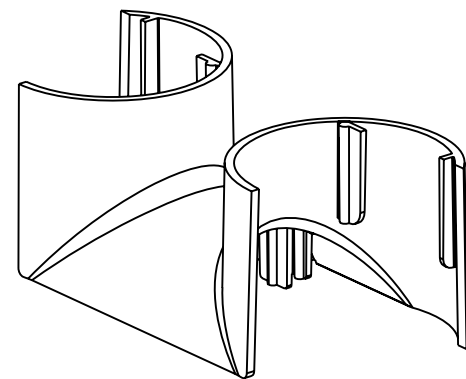
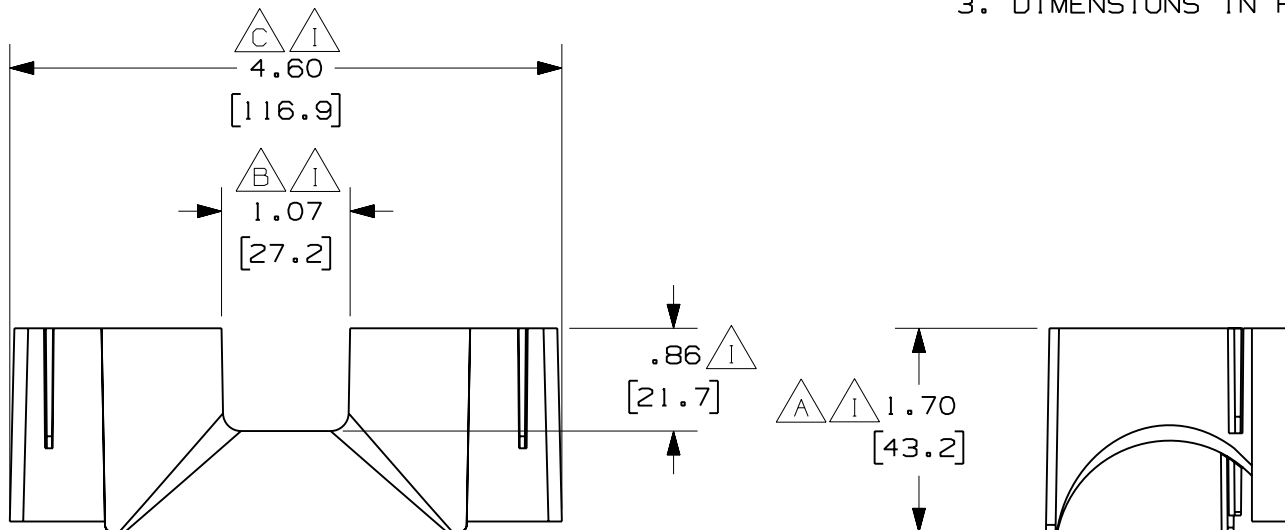




NOTES:

1. SEE CURRENT CATALOG FOR ADDITIONAL PART SUFFIXES TO INDICATE PACKAGE QUANTITY.
2. THE FIBER-DUCT 2x2 AND PANDUCT FS AND G 2x2 WIRING DUCT BEND RADIUS CONTROL TRUMPET ALLOWS FOR CABLES TO SPILL OUT OF THE FIBER-DUCT 2x2 AND PANDUCT TYPES FS AND G 2x2 WIRING DUCT WHILE MAINTAINING A 1" (25.4) BEND RADIUS.
3. DIMENSIONS IN PARENTHESES ARE IN METRIC.

PANDUIT PART NUMBER	WEIGHT
TRC2BL	.05 LB/EACH (23g/EACH)



ENG. REF.: D37275BB_DC_TRC2BL_02.prt

CAD FILENAME/LAYERS		F TRC2BL.pdf	
PANDUIT CORP TINLEY PARK, ILLINOIS			
FIBER-DUCT 2x2 AND PANDUCT FS AND G 2x2 WIRING DUCT BEND RADIUS CONTROL TRUMPET (TRC2BL) CUSTOMER DRAWING			
UNLESS OTHERWISE SPECIFIED, DIMENSIONAL TOLERANCES ARE: (.X) ± (.XXX) ± (.XX) ± .03 (.8) ANGLES ±		UNLESS OTHERWISE SPECIFIED, ALL DIMENSIONS ARE GIVEN IN INCHES, THIRD ANGLE PROJECTION.	
DRAWN BY MSO	MAT'L: ABS	SCALE NONE	DWG A
DATE 1-31-00		DRAWING NO. 37275-02	SIZE A
CHK'D JKG			

REV	DATE	BY	CHK	DESCRIPTION	ECN	R	CUST	SUP	GMBH
3	7-21-06	DTP	RN	J. REVISED PART WEIGHT	37275-02	RN	RN		
-	-----	---	---	I. REVISED DIMENSIONS. H. REVISED GENERAL NOTES.	-----	--	--		
2	10-13-05	MSO	SMF	G. REVISED DRAWING TITLE. F. REVISED CAD FILENAME.	37275-02	RN	RN		
-	-----	---	---	E. DIMENSION WAS 1.0 (25).	-----	---	---		
-	-----	---	---	D. DIMENSION WAS 0.1 (3). C. DIMENSION WAS 4.6 (117).	-----	---	---		
1	10-11-00	JBN	JKG	B. DIMENSION WAS 1.0 (27). A. DIMENSION WAS 1.6 (41).	37275-02	HIW	HIW		
R	1-31-00	MSO	JKG	RELEASED TO PRODUCTION	37275-02	HIW	HIW		