



Chipsmall Limited consists of a professional team with an average of over 10 year of expertise in the distribution of electronic components. Based in Hongkong, we have already established firm and mutual-benefit business relationships with customers from,Europe,America and south Asia,supplying obsolete and hard-to-find components to meet their specific needs.

With the principle of “Quality Parts,Customers Priority,Honest Operation,and Considerate Service”,our business mainly focus on the distribution of electronic components. Line cards we deal with include Microchip,ALPS,ROHM,Xilinx,Pulse,ON,Everlight and Freescale. Main products comprise IC,Modules,Potentiometer,IC Socket,Relay,Connector.Our parts cover such applications as commercial,industrial, and automotives areas.

We are looking forward to setting up business relationship with you and hope to provide you with the best service and solution. Let us make a better world for our industry!



## Contact us

Tel: +86-755-8981 8866 Fax: +86-755-8427 6832

Email & Skype: info@chipsmall.com Web: www.chipsmall.com

Address: A1208, Overseas Decoration Building, #122 Zhenhua RD., Futian, Shenzhen, China

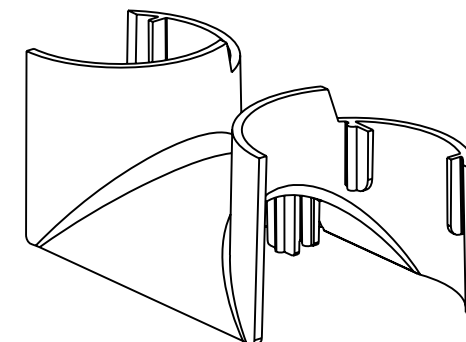
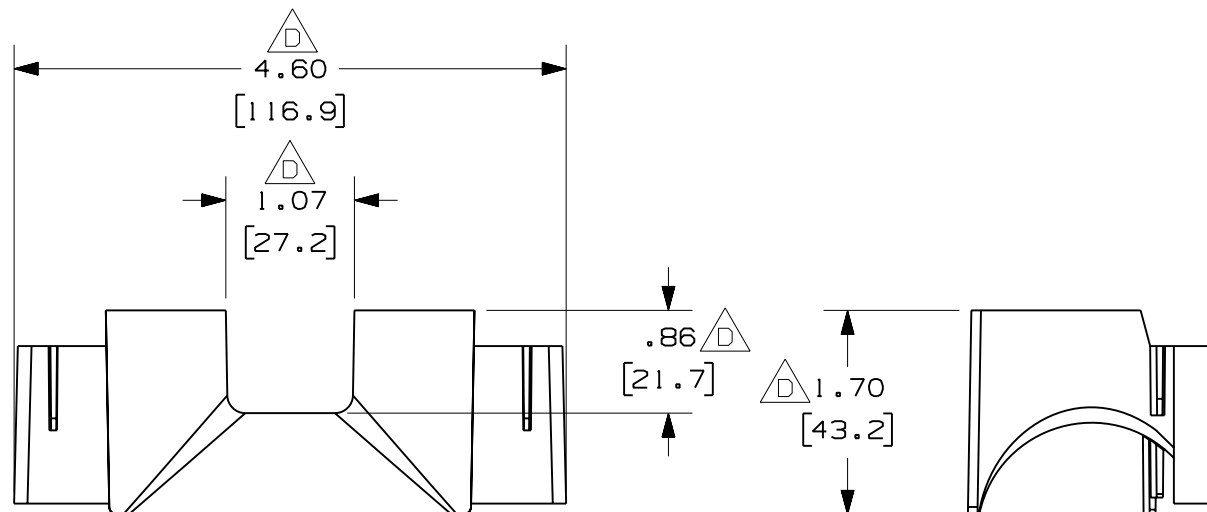
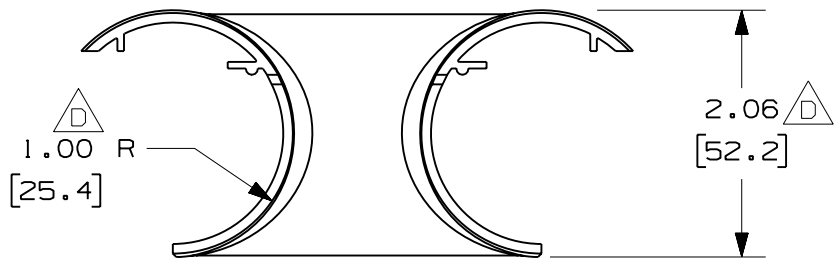


PANDUIT PART NUMBER	WEIGHT
TRC2HDBL	.05 LB/EACH (21g/EACH)



**NOTES:**

1. SEE CURRENT CATALOG FOR ADDITIONAL PART SUFFIXES TO INDICATE PACKAGE QUANTITY.
2. THE PANDUCT TYPES H AND HS 2x2 WIRING DUCT BEND RADIUS CONTROL TRUMPET ALLOWS FOR CABLES TO SPILL OUT OF THE PANDUCT TYPES H AND HS 2x2 WIRING DUCT WHILE MAINTAINING A 1" (25.4) BEND RADIUS.
3. DIMENSIONS IN PARENTHESES ARE IN METRIC.



ENG. REF.: D38420BG\_DC\_TRC2HDBL\_01.prt

CAD FILENAME/LAYERS: TRC2HDBL.pdf

**PANDUIT** CORP TINLEY PARK, ILLINOIS  
 PANDUCT TYPES H AND HS 2x2 HINGED WIRING DUCT AND FIBERRUNNER 2x2  
 BEND RADIUS CONTROL TRUMPET (TRC2HDBL)  
 CUSTOMER DRAWING

UNLESS OTHERWISE SPECIFIED, DIMENSIONAL TOLERANCES ARE:  
 (.X) ± (.XXX) ±  
 (.XX) ± .03 (.8) ANGLES ±

UNLESS OTHERWISE SPECIFIED, ALL DIMENSIONS ARE GIVEN IN INCHES, THIRD ANGLE PROJECTION.

REV	DATE	BY	CHK	DESCRIPTION	ECN	R	CUST	SUP	GMBH
2	7-21-06	DTP	RN	E. REVISED PART WEIGHT	38420-02	RN	RN		
-	-----	---	---	D. REVISED DIMENSIONS. C. REVISED GENERAL NOTES.	-----	--	--		
1	10-13-05	MSO	SMF	B. REVISED DRAWING TITLE. A. REVISED CAD FILENAME.	38420-02	RN	RN		
R	5-10-02	JHNU	SMF	RELEASED TO PRODUCTION	38420-02	HIW	HIW		

DRAWN BY: JHNU	MAT'L: ABS	SCALE: NONE
DATE: 5-10-02		DRAWING NO.: 38420-02
CHK'D: SMF		DWG SIZE: A