



Chipsmall Limited consists of a professional team with an average of over 10 year of expertise in the distribution of electronic components. Based in Hongkong, we have already established firm and mutual-benefit business relationships with customers from,Europe,America and south Asia,supplying obsolete and hard-to-find components to meet their specific needs.

With the principle of “Quality Parts,Customers Priority,Honest Operation,and Considerate Service”,our business mainly focus on the distribution of electronic components. Line cards we deal with include Microchip,ALPS,ROHM,Xilinx,Pulse,ON,Everlight and Freescale. Main products comprise IC,Modules,Potentiometer,IC Socket,Relay,Connector.Our parts cover such applications as commercial,industrial, and automotives areas.

We are looking forward to setting up business relationship with you and hope to provide you with the best service and solution. Let us make a better world for our industry!



Contact us

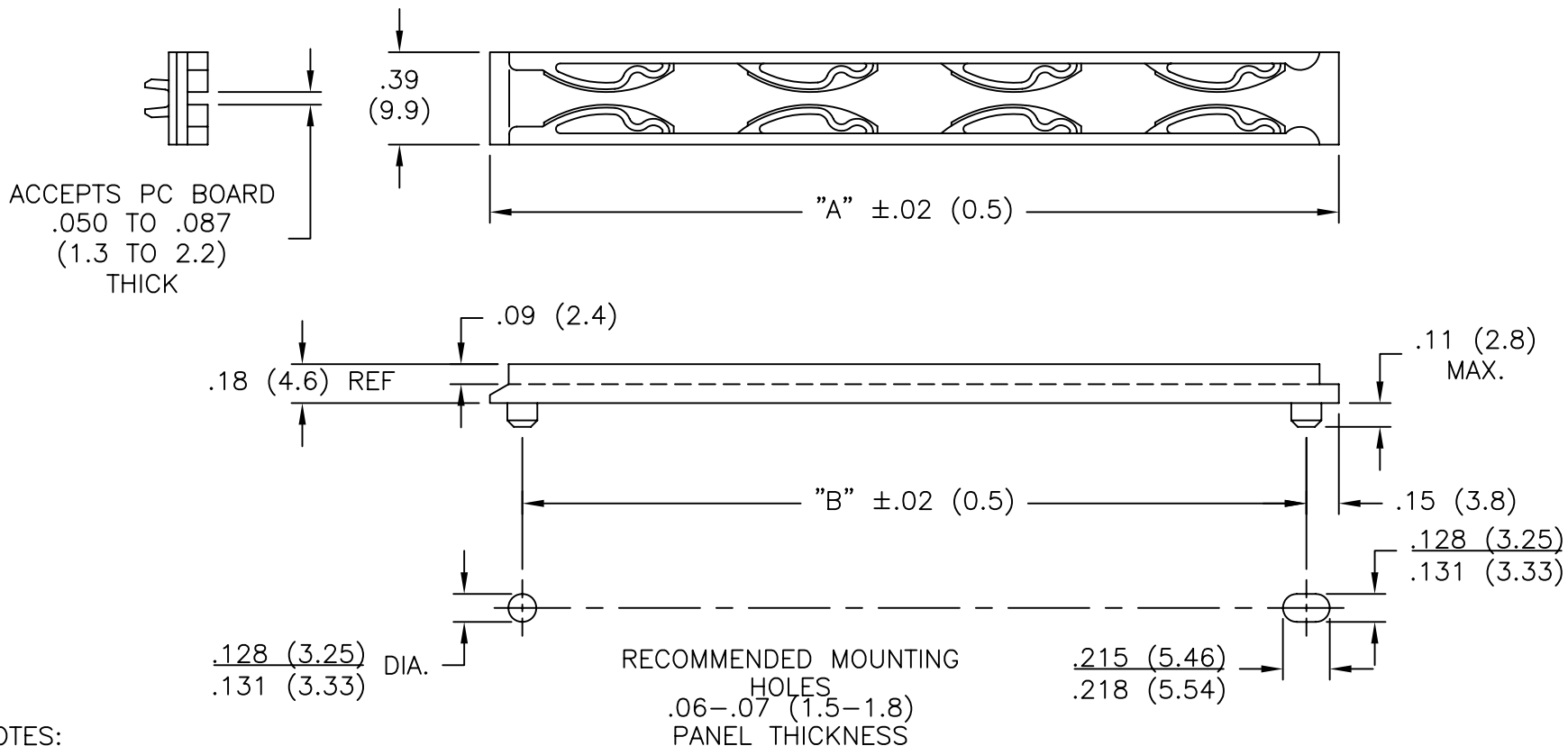
Tel: +86-755-8981 8866 Fax: +86-755-8427 6832

Email & Skype: info@chipsmall.com Web: www.chipsmall.com

Address: A1208, Overseas Decoration Building, #122 Zhenhua RD., Futian, Shenzhen, China



PART NO.	"A"	"B"
TRCG-2.500	2-1/2 (63.5)	2.2 (55.9)
TRCG-3.300	3.3 (83.8)	3 (76.2)
TRCG-3.925	3.93 (99.7)	3-5/8 (92.1)
TRCG-6.675	6.68 (169.6)	6-3/8 (161.9)



NOTES:
1. MAT'L: POLYCARBONATE (RMS-23)
COLOR: BLACK

<table border="1"> <tr> <td>D</td> <td>CHANGED MAX BOARD THICKNESS TO 2.2MM</td> <td>SJ 02.06.02</td> </tr> <tr> <td>C</td> <td>CHANGED FILE NUMBER</td> <td>SM 05.11.01</td> </tr> <tr> <td>B</td> <td>DIM'S PUT TO 3 PLACES; DIM. .093 REMOVED</td> <td>PB 08.18.95</td> </tr> <tr> <td>A</td> <td>RECOMMENDED MOUNTING HOLES ADDED; DIM. .128 DIA. HOLE WAS .123 DIA. HOLE; NOTE 1 ADDED</td> <td>PB 06.09.95</td> </tr> <tr> <td>REV</td> <td>DESCRIPTION</td> <td>ENGR DATE</td> </tr> </table>			D	CHANGED MAX BOARD THICKNESS TO 2.2MM	SJ 02.06.02	C	CHANGED FILE NUMBER	SM 05.11.01	B	DIM'S PUT TO 3 PLACES; DIM. .093 REMOVED	PB 08.18.95	A	RECOMMENDED MOUNTING HOLES ADDED; DIM. .128 DIA. HOLE WAS .123 DIA. HOLE; NOTE 1 ADDED	PB 06.09.95	REV	DESCRIPTION	ENGR DATE	<p>TITLE: TENSION RACK CARD GUIDE</p> <p>FILE # TRCG</p> <p>MAT'L: SEE NOTES</p> <p>RE: RICHCO, INC.</p>				<p>DWN: P.B.</p> <p>DT: 09-14-94</p> <p>DT:</p> <p>RICHCO INC. PO BOX 804238, CHICAGO, 60680 (773) 539-4060</p>		<p>DWG IN IN (MM)</p> <p>FINAL</p>		<p>PART #</p> <p>SEE TABLE</p>		<p>PRINT TYPE</p> <p>CA</p>
D	CHANGED MAX BOARD THICKNESS TO 2.2MM	SJ 02.06.02																										
C	CHANGED FILE NUMBER	SM 05.11.01																										
B	DIM'S PUT TO 3 PLACES; DIM. .093 REMOVED	PB 08.18.95																										
A	RECOMMENDED MOUNTING HOLES ADDED; DIM. .128 DIA. HOLE WAS .123 DIA. HOLE; NOTE 1 ADDED	PB 06.09.95																										
REV	DESCRIPTION	ENGR DATE																										