



Chipsmall Limited consists of a professional team with an average of over 10 year of expertise in the distribution of electronic components. Based in Hongkong, we have already established firm and mutual-benefit business relationships with customers from,Europe,America and south Asia,supplying obsolete and hard-to-find components to meet their specific needs.

With the principle of “Quality Parts,Customers Priority,Honest Operation,and Considerate Service”,our business mainly focus on the distribution of electronic components. Line cards we deal with include Microchip,ALPS,ROHM,Xilinx,Pulse,ON,Everlight and Freescale. Main products comprise IC,Modules,Potentiometer,IC Socket,Relay,Connector.Our parts cover such applications as commercial,industrial, and automotives areas.

We are looking forward to setting up business relationship with you and hope to provide you with the best service and solution. Let us make a better world for our industry!



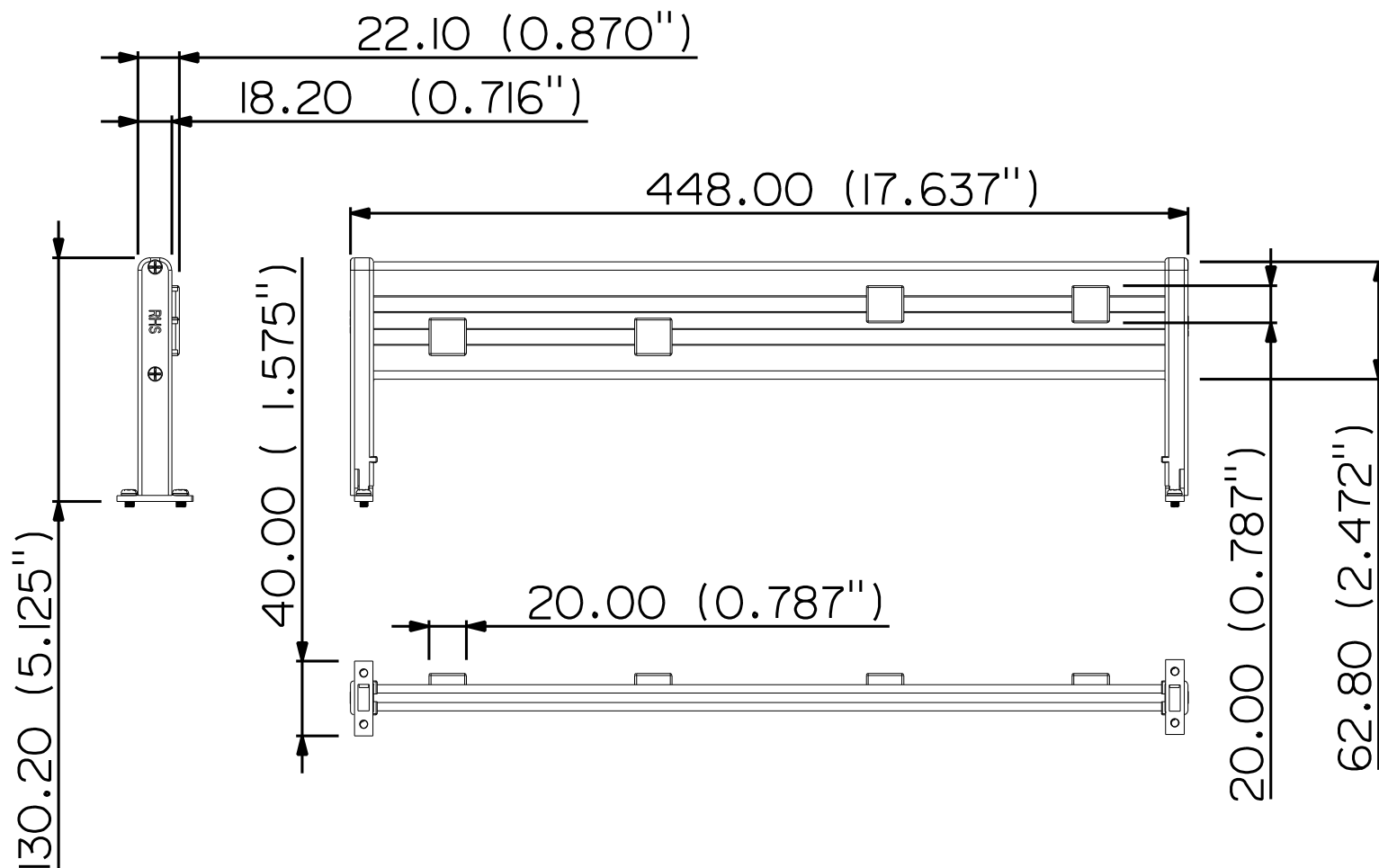
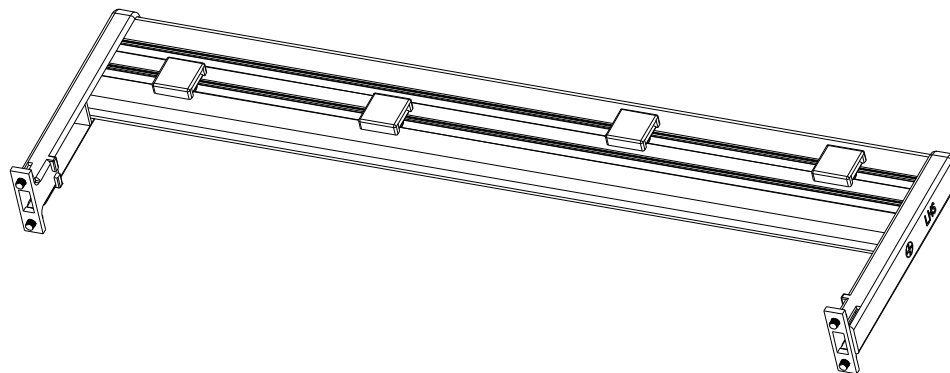
## Contact us

Tel: +86-755-8981 8866 Fax: +86-755-8427 6832

Email & Skype: info@chipsmall.com Web: www.chipsmall.com

Address: A1208, Overseas Decoration Building, #122 Zhenhua RD., Futian, Shenzhen, China





<b>INFORMATION</b>	<b>HellermannTyton</b> <i>Cable Management Products</i>		<b>REVISION</b>	level	1	<b>DIMENSIONS</b>	Tolerance	±0.001	<b>PART</b>	number	TRCMU	phase	PRODUCTION	<b>DRAWING</b>	format	AH	version	J	cap	PRO-E	scale	0.300					
	ALL PROPRIETARY RIGHTS IN THE SUBJECT MATTER SHOWN ON THIS DRAWING ARE EXCLUSIVE PROPERTY OF HELLERMANN TYTON																										
	name	date		city, state	by		date	ECN #		units	mm/inches	name	HD GLOBAL CABLE MANAGEMENT			computer file number	previous number	drawn	G MAT	checked	approved	type	sheet 1 of 1		number	P126-026	
	HT DATA	13/09/05		NORTHAMPTON U.K									material		N/A					13/09/05							