



Chipsmall Limited consists of a professional team with an average of over 10 year of expertise in the distribution of electronic components. Based in Hongkong, we have already established firm and mutual-benefit business relationships with customers from,Europe,America and south Asia,supplying obsolete and hard-to-find components to meet their specific needs.

With the principle of “Quality Parts,Customers Priority,Honest Operation,and Considerate Service”,our business mainly focus on the distribution of electronic components. Line cards we deal with include Microchip,ALPS,ROHM,Xilinx,Pulse,ON,Everlight and Freescale. Main products comprise IC,Modules,Potentiometer,IC Socket,Relay,Connector.Our parts cover such applications as commercial,industrial, and automotives areas.

We are looking forward to setting up business relationship with you and hope to provide you with the best service and solution. Let us make a better world for our industry!



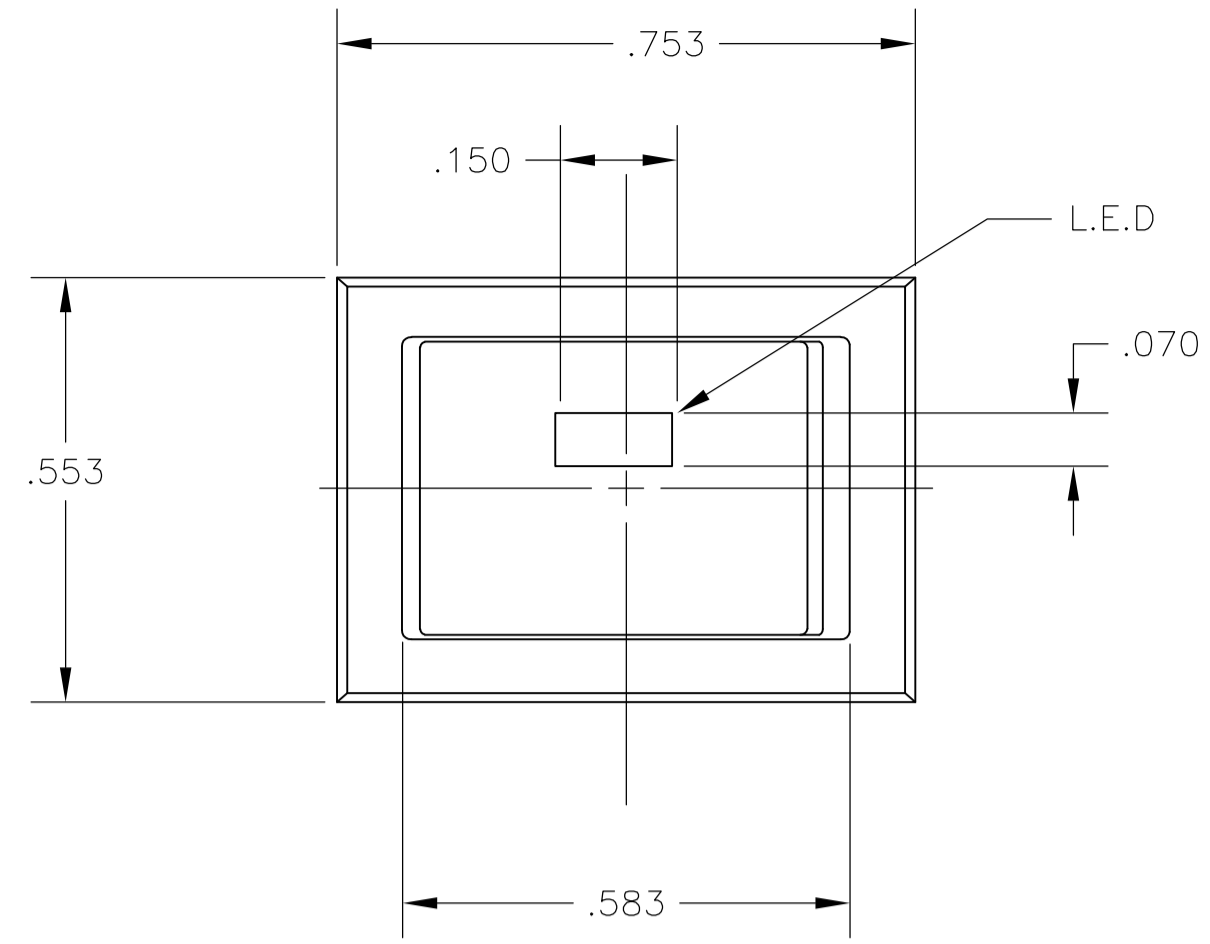
Contact us

Tel: +86-755-8981 8866 Fax: +86-755-8427 6832

Email & Skype: info@chipsmall.com Web: www.chipsmall.com

Address: A1208, Overseas Decoration Building, #122 Zhenhua RD., Futian, Shenzhen, China

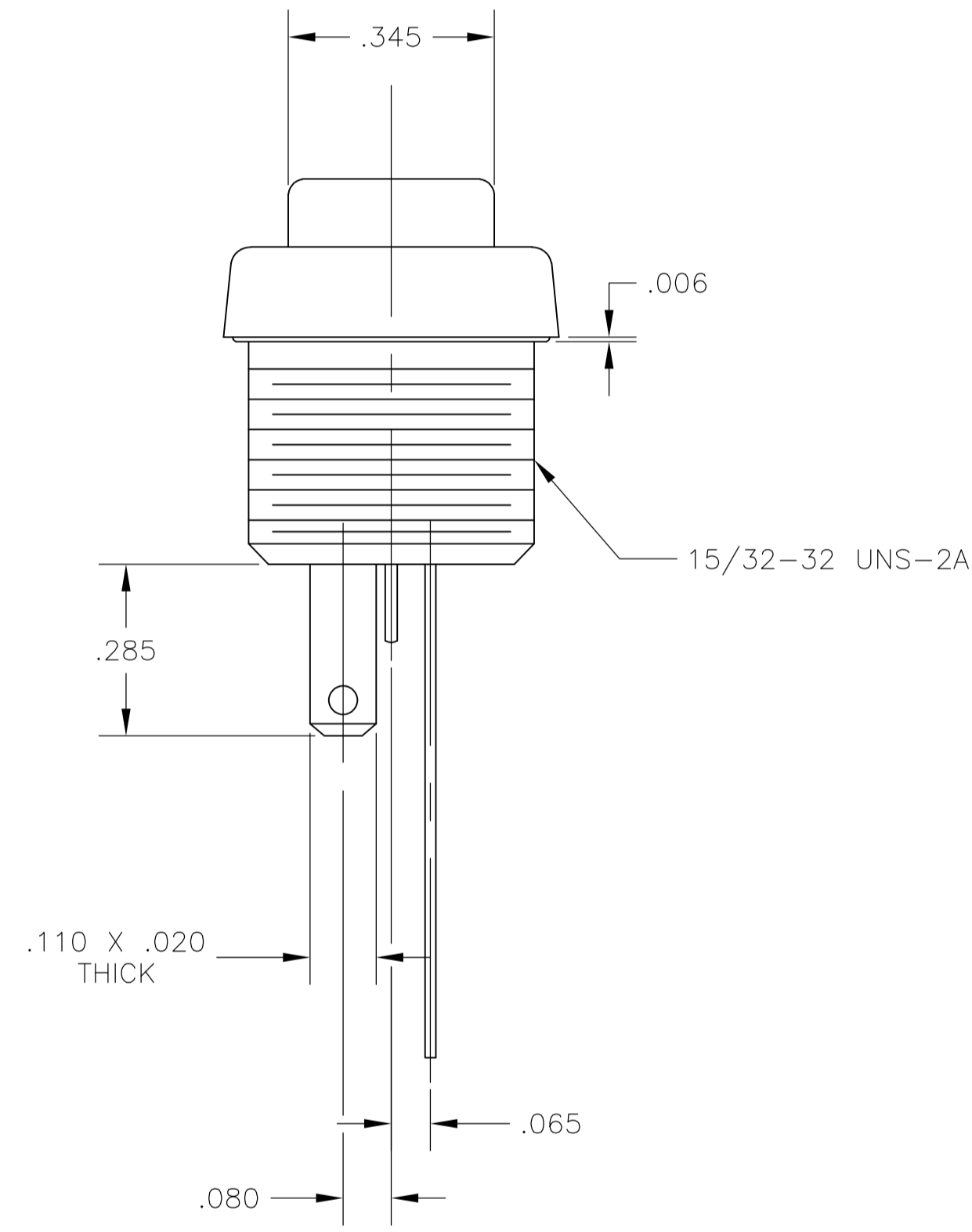
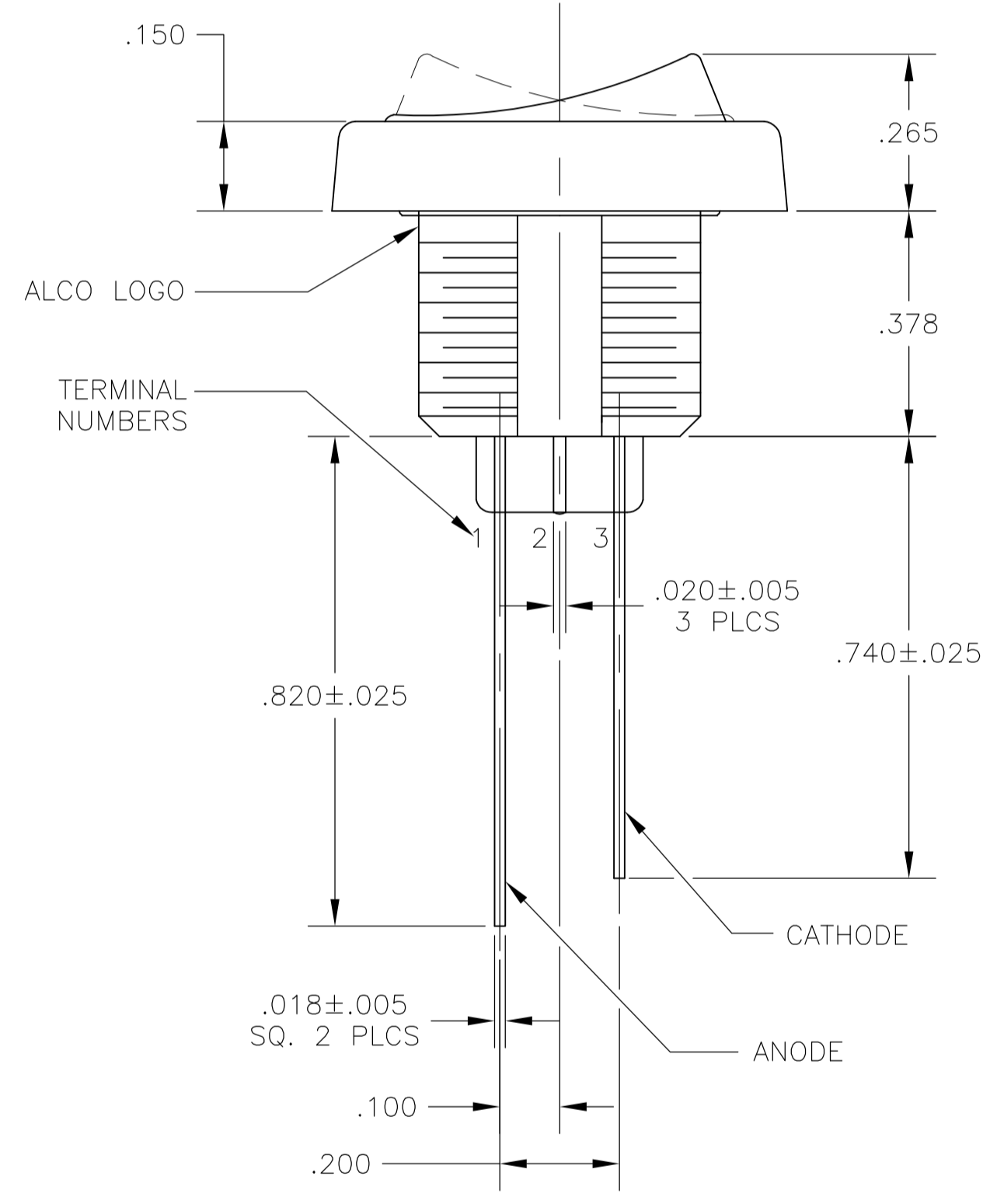




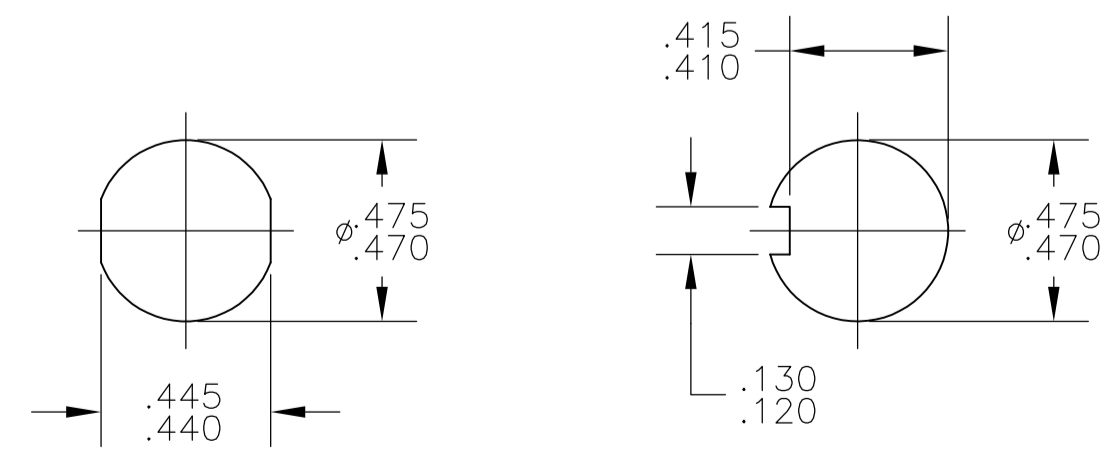
NOTES:

1. ALL MATERIALS AND FINISHES COMPLY WITH EU DIRECTIVE 2002/95/EC OF 27JAN2003 (RoHS).
2. TERMINAL NUMBERS ARE FOR REFERENCE ONLY AND DO NOT APPEAR ON THE SWITCHES.
3. MOUNTING HARDWARE: (1) HEX NUT AND (1) INTERNAL TOOTH LOCKWASHER SUPPLIED WITH SWITCH.

| MATERIAL CHART | | |
|------------------------------|---------------------------|------------------|
| COMPONENT NAME | BASE MATERIAL | FINISH |
| CASE | PPO, BLACK, UL94-HB | |
| ROCKER | NYLON 6/6, BLACK, UL94-V2 | |
| SPRING | MUSIC WIRE | |
| SPRING, F FUNCTION | MUSIC WIRE | |
| INSULATOR | POLYETHERIMIDE, NATURAL | |
| TERMINAL, END, F FUNCTION | BRASS | GOLD OVER NICKEL |
| TERMINAL, CENTER, F FUNCTION | BRASS | GOLD OVER NICKEL |
| ROCKER CONTACT | BRASS | GOLD OVER NICKEL |
| NUT | BRASS | NICKEL |
| LOCKWASHER | STAINLESS STEEL | |
| TERMINAL SEAL | ACRYLIC RESIN | |
| LED WINDOW | ACRYLIC, TRANSPARENT | |
| LED | | |



| SPECIFICATION CHART | |
|---------------------------------|--|
| RATING | .4A MAX @ 20 VDC OR PEAK AC |
| INITIAL CONTACT RESISTANCE | 20 MILLIOHMS MAX. |
| INSULATION RESISTANCE | 1,000 MEGAOHMS MIN @ 500 VDC |
| DIELECTRIC WITHSTANDING VOLTAGE | 500 V RMS AT SEA LEVEL |
| ELECTRICAL LIFE, 2 POSITION | 20,000 CYCLES |
| ELECTRICAL LIFE, 3 POSITION | 60,000 CYCLES |
| MECHANICAL LIFE, 2 POSITION | 100,000 CYCLES |
| MECHANICAL LIFE, 3 POSITION | 50,000 CYCLES |
| OPERATING TEMPERATURE | -20°C TO +80°C |
| STORAGE TEMPERATURE | -45°C TO +95°C |
| LED VOLTAGE | 2.8 VDC MAX. |
| LED FORWARD CURRENT, MAX. | RED: 20mA, GREEN:25mA, RED/GREEN: 40mA |



PANEL CUTOUTS
SCALE 2:1

| FUNCTION CHART | | | | | | |
|----------------|-----------------|------|--------|--------|-----------|---------------------------|
| PART NUMBER | ALCO P/N | POLE | THROWS | RATING | LED COLOR | TERMINALS CONNECTED |
| 1825425-1 | TRD11F10QCLR204 | 1 | 2 | 0.4VA | RED | (ON) NONE ON 2-1 - 2-3 |

NONE: NO MECHANICAL POSITION
 OFF: MECHANICAL POSITION WITH NO ELECTRIC CONNECTION
 (ON): MOMENTARY ACTION

| | | | | | |
|--|--|------------------|----------|--|--|
| THIS DRAWING IS A CONTROLLED DOCUMENT. | | DIN | BSV | Tyco Electronics Corporation Harrisburg, Pa 17105-3608 | |
| DIMENSIONS: INCHES | | CHK | M. ZITTO | NAME | |
| TOLERANCES UNLESS OTHERWISE SPECIFIED: | | DATE | 17JUN06 | TRD SERIES ROCKER SWITCH, 1 POLE, .4VA, QC TERMINALS WITH LED | |
| 0. PLC ± - | | APVD | M. ZITTO | PRODUCT SPEC | |
| 1. PLC ± - | | NAME | | APPLICATION SPEC | |
| 2. PLC ± - | | SIZE | | RESTRICTED TO | |
| 3. PLC ± - | | CAGE CODE | | DRAWING NO | |
| 4. PLC ± - | | WEIGHT | | A1 00779 C=1825425 | |
| ANGLES ± - | | CUSTOMER DRAWING | | SCALE 4:1 SHEET 1 OF 1 REV A | |