



Chipsmall Limited consists of a professional team with an average of over 10 year of expertise in the distribution of electronic components. Based in Hongkong, we have already established firm and mutual-benefit business relationships with customers from,Europe,America and south Asia,supplying obsolete and hard-to-find components to meet their specific needs.

With the principle of “Quality Parts,Customers Priority,Honest Operation,and Considerate Service”,our business mainly focus on the distribution of electronic components. Line cards we deal with include Microchip,ALPS,ROHM,Xilinx,Pulse,ON,Everlight and Freescale. Main products comprise IC,Modules,Potentiometer,IC Socket,Relay,Connector.Our parts cover such applications as commercial,industrial, and automotives areas.

We are looking forward to setting up business relationship with you and hope to provide you with the best service and solution. Let us make a better world for our industry!



Contact us

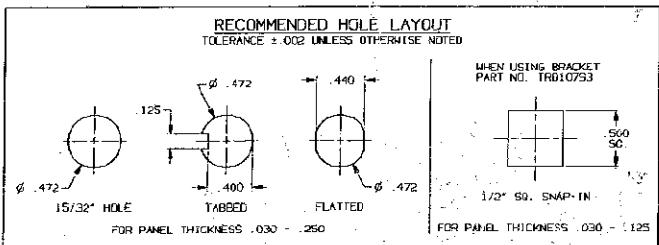
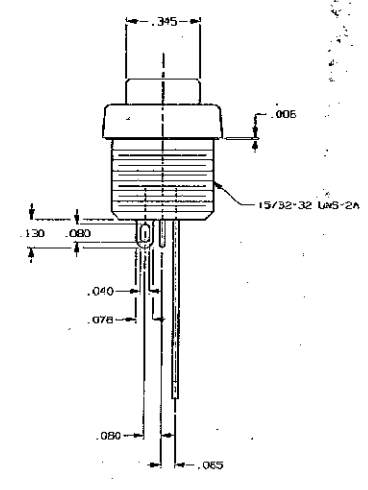
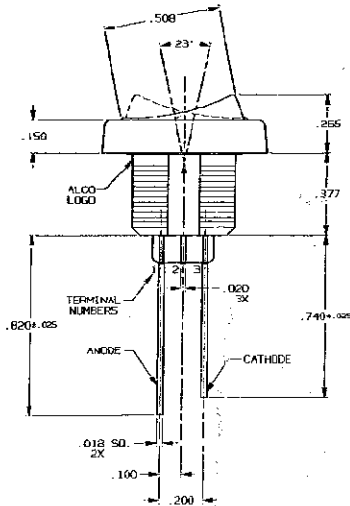
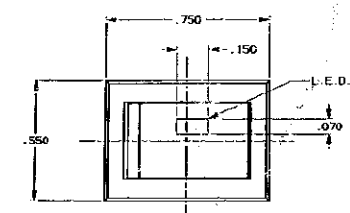
Tel: +86-755-8981 8866 Fax: +86-755-8427 6832

Email & Skype: info@chipsmall.com Web: www.chipsmall.com

Address: A1208, Overseas Decoration Building, #122 Zhenhua RD., Futian, Shenzhen, China



CONVERSION CHART	INCH	MILL
.002	0.05	
.010	0.25	
.016	0.46	
.020	0.51	
.025	0.64	
.030	0.76	
.035	0.91	
.040	1.02	
.045	1.15	
.050	1.27	
.055	1.40	
.060	1.52	
.065	1.65	
.070	1.78	
.075	1.91	
.080	2.03	
.085	2.16	
.090	2.29	
.095	2.41	
.100	2.54	
.105	2.67	
.110	2.79	
.115	2.92	
.120	3.05	
.125	3.18	
.130	3.30	
.135	3.43	
.140	3.55	
.145	3.68	
.150	3.81	
.155	3.94	
.160	4.06	
.165	4.19	
.170	4.32	
.175	4.44	
.180	4.57	
.185	4.70	
.190	4.82	
.195	4.95	
.200	5.08	
.205	5.21	
.210	5.33	
.215	5.46	
.220	5.59	
.225	5.71	
.230	5.84	
.235	5.97	
.240	6.10	
.245	6.22	
.250	6.35	
.255	6.48	
.260	6.60	
.265	6.73	
.270	6.86	
.275	6.99	
.280	7.12	
.285	7.25	
.290	7.38	
.295	7.50	
.300	7.62	
.305	7.75	
.310	7.87	
.315	8.00	
.320	8.13	
.325	8.25	
.330	8.38	
.335	8.51	
.340	8.64	
.345	8.76	
.350	8.89	
.355	9.02	
.360	9.14	
.365	9.27	
.370	9.40	
.375	9.53	
.380	9.65	
.385	9.78	
.390	9.91	
.395	10.04	
.400	10.17	
.405	10.29	
.410	10.42	
.415	10.55	
.420	10.68	
.425	10.81	
.430	10.93	
.435	11.06	
.440	11.19	
.445	11.32	
.450	11.45	
.455	11.57	
.460	11.70	
.465	11.83	
.470	11.96	
.475	12.09	
.480	12.21	
.485	12.34	
.490	12.47	
.495	12.60	
.500	12.73	
.505	12.86	
.510	12.99	
.515	13.11	
.520	13.24	
.525	13.37	
.530	13.50	
.535	13.63	
.540	13.76	
.545	13.89	
.550	14.01	
.555	14.14	
.560	14.27	
.565	14.40	
.570	14.53	
.575	14.66	
.580	14.78	
.585	14.91	
.590	15.04	
.595	15.17	
.600	15.30	
.605	15.43	
.610	15.56	
.615	15.68	
.620	15.81	
.625	15.94	
.630	16.07	
.635	16.20	
.640	16.33	
.645	16.45	
.650	16.58	
.655	16.71	
.660	16.84	
.665	16.97	
.670	17.10	
.675	17.23	
.680	17.35	
.685	17.48	
.690	17.61	
.695	17.74	
.700	17.87	
.705	18.00	
.710	18.13	
.715	18.25	
.720	18.38	
.725	18.51	
.730	18.64	
.735	18.77	
.740	18.90	
.745	19.03	
.750	19.15	
.755	19.28	
.760	19.41	
.765	19.54	
.770	19.67	
.775	19.80	
.780	19.92	
.785	20.05	
.790	20.18	
.795	20.31	
.800	20.44	



LETTER	POSITION	FUNCTION	REFERENCE
H	2 TO 3	OFF (2 TO 1)	
G	(2 TO 3)	OFF (2 TO 1)	
F	2 TO 3	NONE (2 TO 1)	
E	2 TO 3	OFF (2 TO 1)	
D	2 TO 3	NONE (2 TO 1)	

FUNCTION CODE	ALSO USED	ALSO USED	ALSO USED
X	1 2 3	1 2 3	1 2 3

TERMINAL NUMBERS ARE FOR REFERENCE AND DO NOT APPEAR ON SWITCH.
SWITCH VIEWED FROM WIRE LUG TERMINAL SIDE.
() INDICATES MOMENTARY CIRCUIT CLOSURE.

△ SPECIFICATIONS:

MATERIAL:
CASE: POLYAMIDE
ACTUATOR: POLYAMIDE
MOVING CONTACT: COPPER ALLOY, SILVER OR GOLD PLATE OVER NICKEL
FIXED CONTACT: COPPER ALLOY, SILVER OR GOLD PLATE OVER NICKEL
TERMINALS: COPPER ALLOY, SILVER OR GOLD PLATE OVER NICKEL

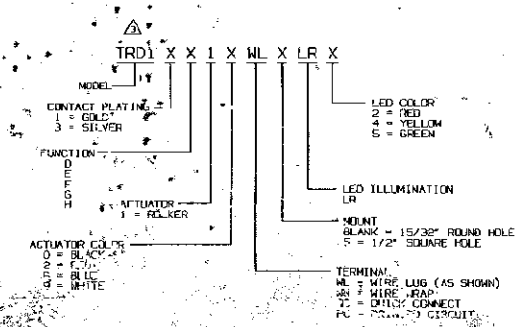
ELECTRICAL:
CONTACT RATING: SILVER: 3 AMPS @ 125 VAC
GOLD: 0.4 VA MAX. @ 20 VDC OR HEAVY AC.
INITIAL CONTACT RESISTANCE: 20 MILLIOHMS MAX.
INSULATION RESISTANCE: 1000 MEGOHMS MIN. @ 500 VDC.
DIELECTRIC STRENGTH: 500 V RMS @ SEA LEVEL.
LIFE EXPECTANCY: 100,000 CYCLES MIN. (2 POSITION)
1 50,000 CYCLES MIN. (3 POSITION)

ENVIRONMENTAL:
OPERATING TEMPERATURE: -4°F TO +176°F (-20°C TO +80°C)
STORAGE TEMPERATURE: -49°F TO +159°F (-45°C TO 93°C)

LED SPECIFICATIONS:
MAXIMUM VOLTAGE: 2.8
MAXIMUM FORWARD CURRENT D.C.: RED - 20 MA.
YELLOW - 25 MA.
GREEN - 25 MA.

△ NOTES:

- INTERPRET DRAWING PER ASME Y14.5M-1994.
- MOUNTING HARDWARE: (1) 5/8" HEX NUT AND (1) INTERNAL TOOTH LOCKWASHER (EXCEPT WHEN SNAP-IN BRACKET PART # TRD10753 IS USED) SUPPLIED WITH SWITCH.



REV	DATE	BY	CHKD	APP'D	DESCRIPTION
1					INITIAL RELEASE
2					REVISION
3					REVISION

PROPERTY OF TYCO ELECTRONICS CORPORATION

DATE: 12/15/99

DESIGNER: J. SEY

DATE: 6/3/88

CODE: 0001, NO. 006, SITE D

ISSUE NO. 10223