



Chipsmall Limited consists of a professional team with an average of over 10 year of expertise in the distribution of electronic components. Based in Hongkong, we have already established firm and mutual-benefit business relationships with customers from,Europe,America and south Asia,supplying obsolete and hard-to-find components to meet their specific needs.

With the principle of "Quality Parts,Customers Priority,Honest Operation,and Considerate Service",our business mainly focus on the distribution of electronic components. Line cards we deal with include Microchip,ALPS,ROHM,Xilinx,Pulse,ON,Everlight and Freescale. Main products comprise IC,Modules,Potentiometer,IC Socket,Relay,Connector.Our parts cover such applications as commercial,industrial, and automotives areas.

We are looking forward to setting up business relationship with you and hope to provide you with the best service and solution. Let us make a better world for our industry!



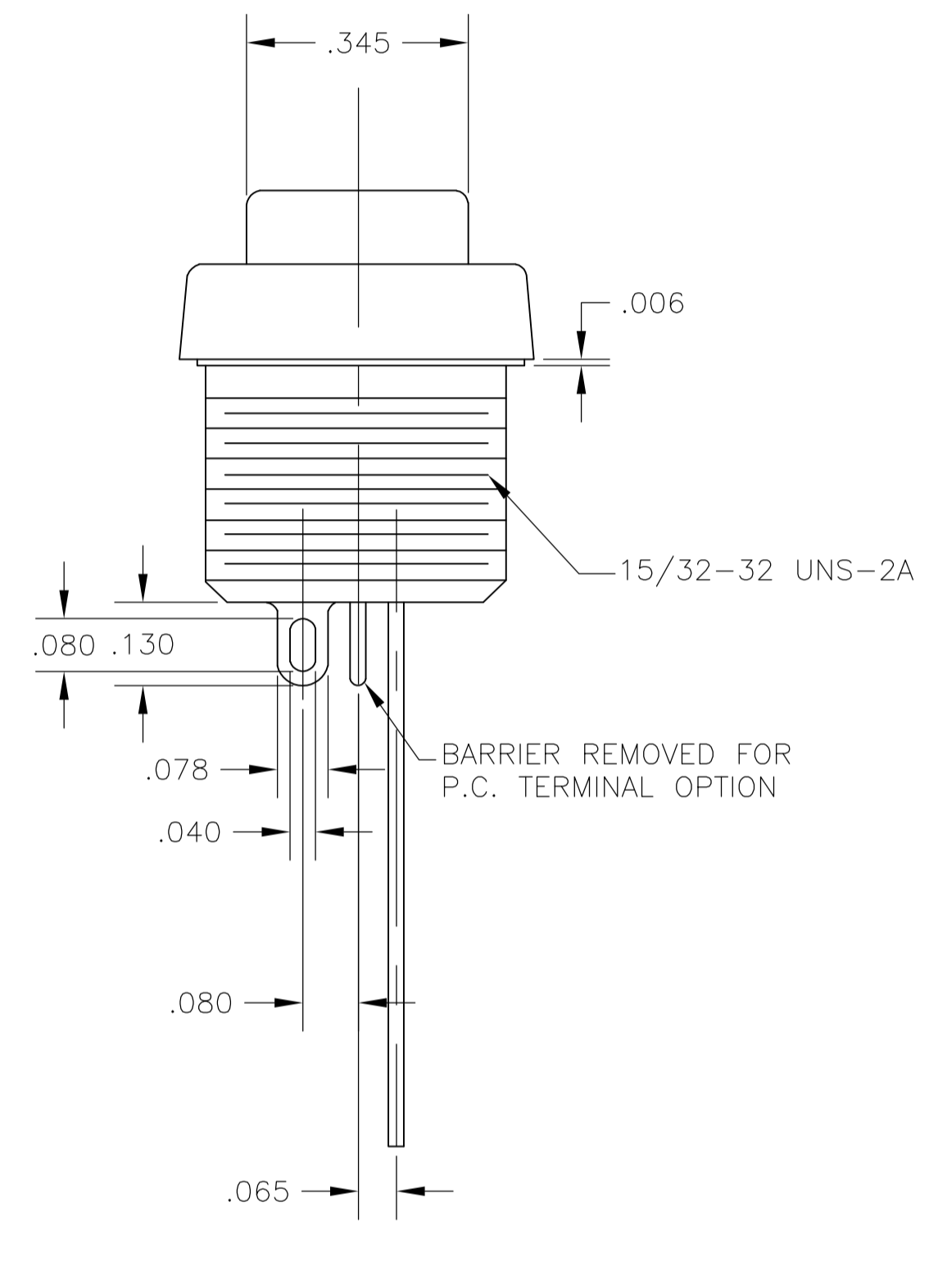
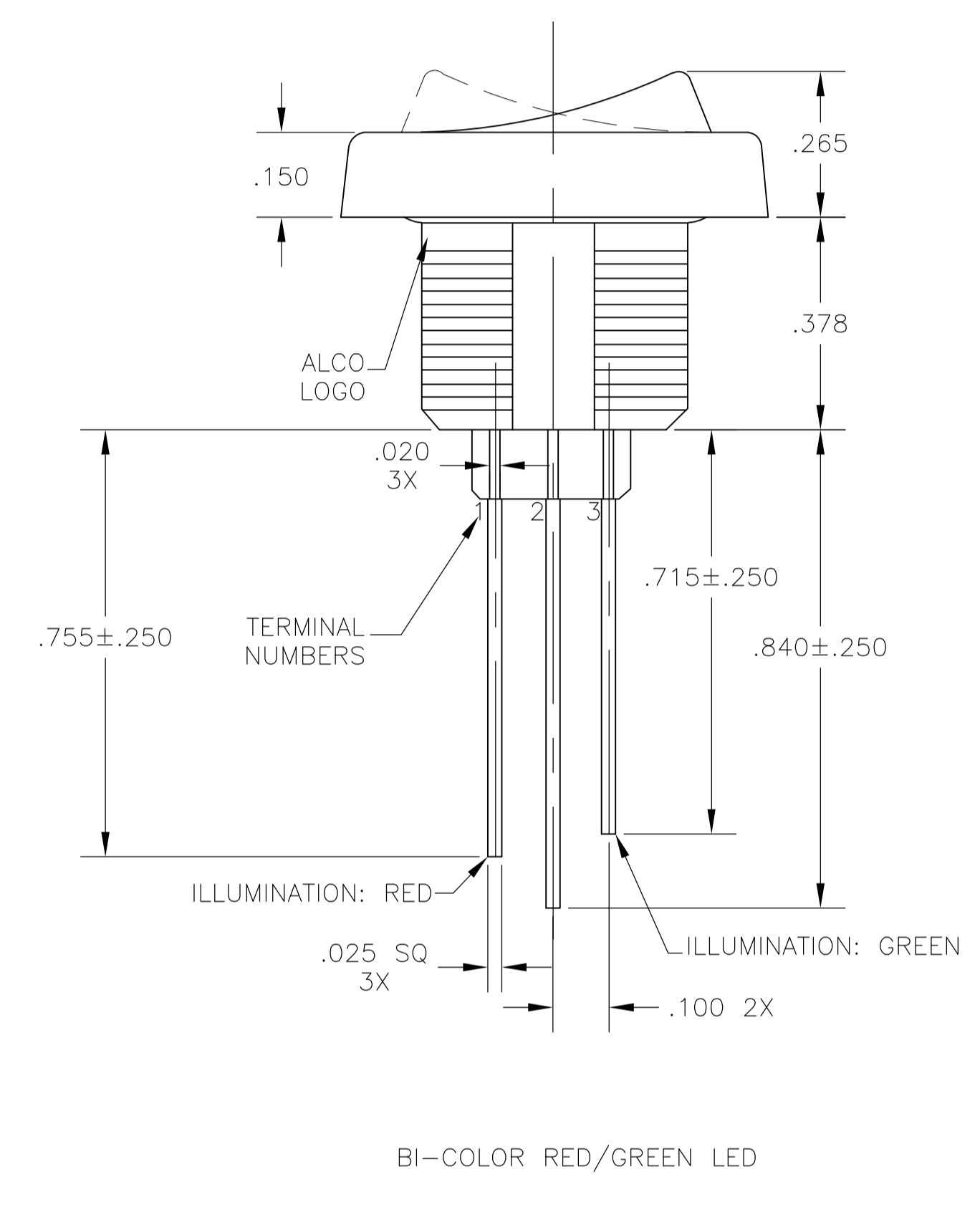
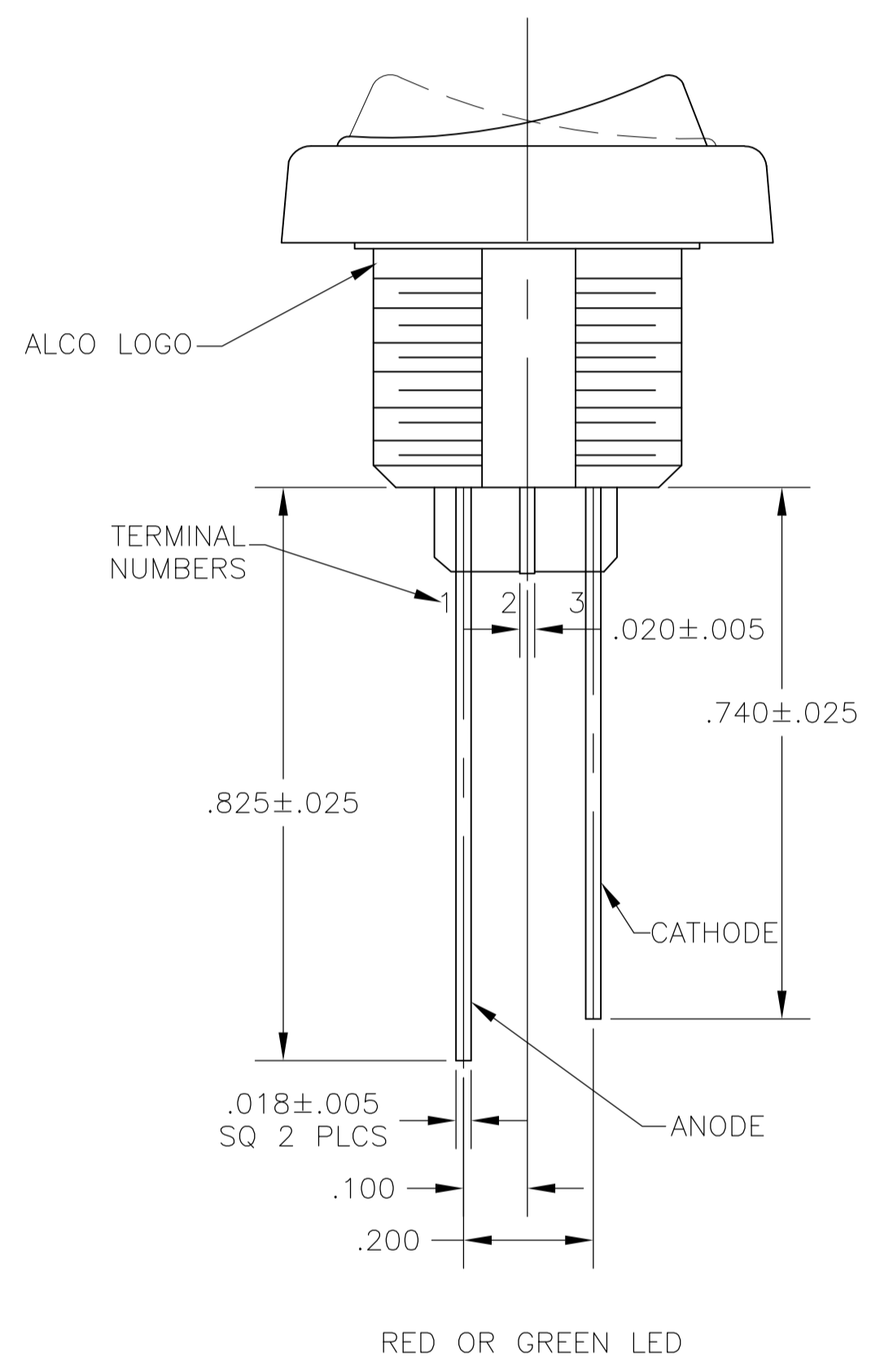
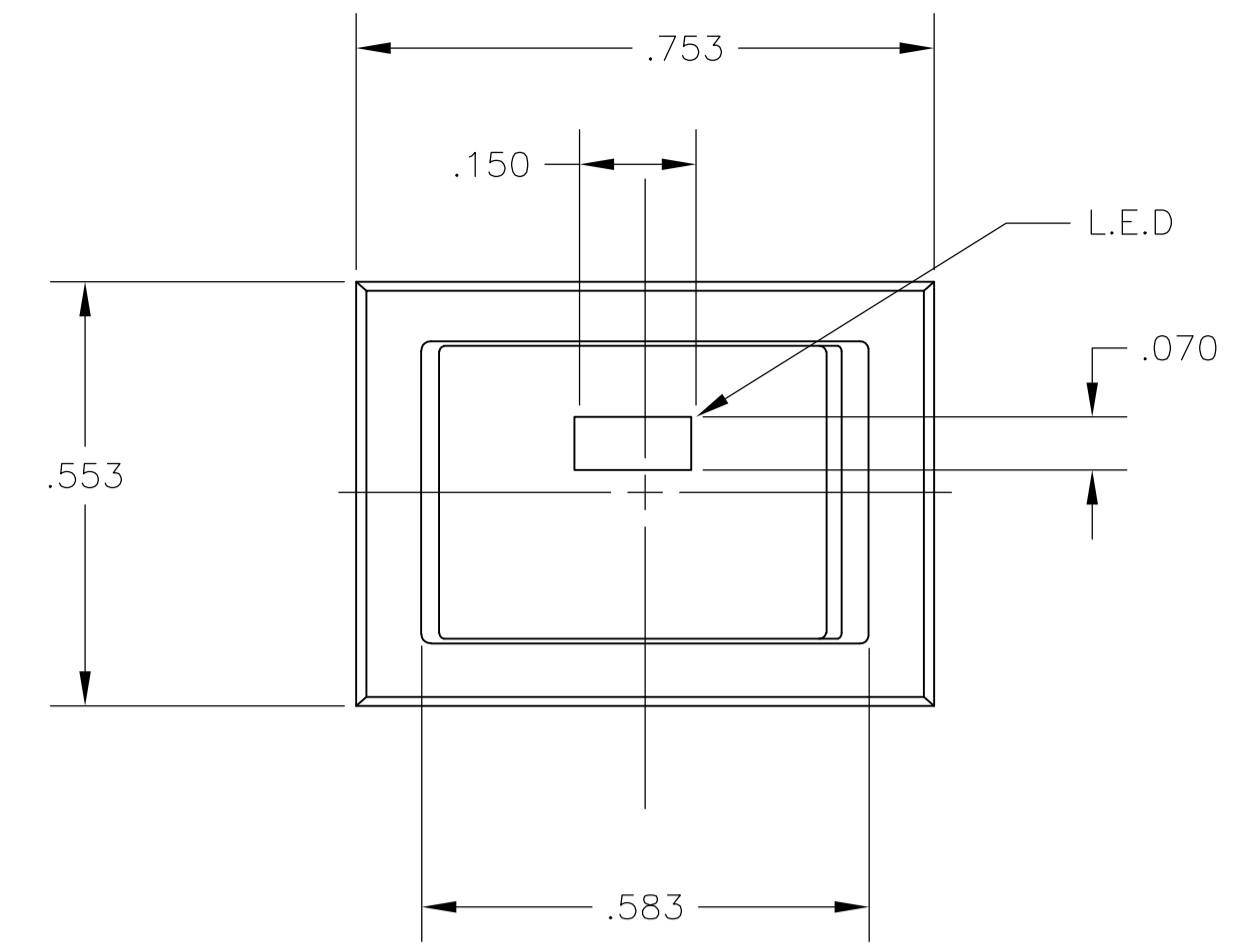
Contact us

Tel: +86-755-8981 8866 Fax: +86-755-8427 6832

Email & Skype: info@chipsmall.com Web: www.chipsmall.com

Address: A1208, Overseas Decoration Building, #122 Zhenhua RD., Futian, Shenzhen, China

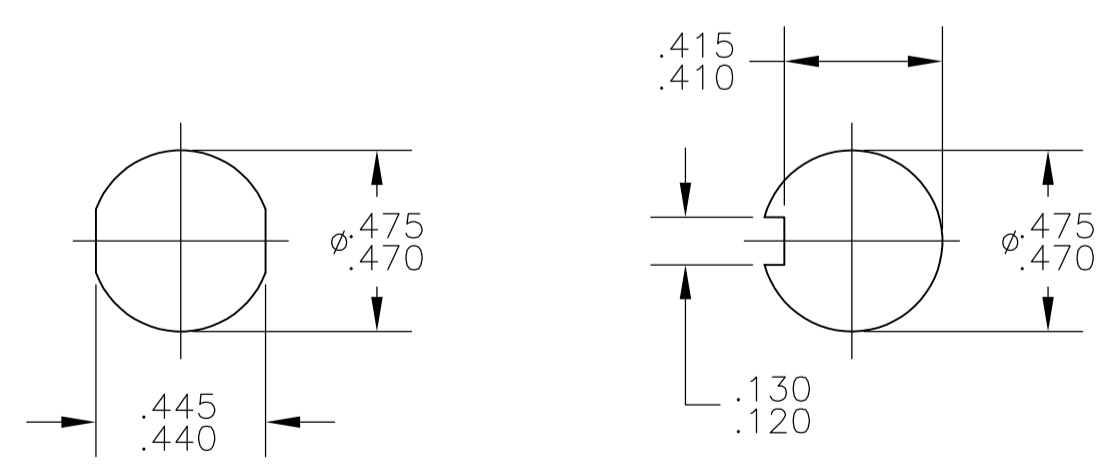




- NOTES:
- ALL MATERIALS AND FINISHES COMPLY WITH EU DIRECTIVE 2002/95/EC OF 27JAN2003 (RoHS).
 - TERMINAL NUMBERS ARE FOR REFERENCE ONLY AND DO NOT APPEAR ON THE SWITCHES.
 - MOUNTING HARDWARE: (1) HEX NUT AND (1) INTERNAL TOOTH LOCKWASHER SUPPLIED WITH SWITCH.

MATERIAL CHART		
COMPONENT NAME	BASE MATERIAL	FINISH
CASE	PP0, BLACK, UL94-HB	
ROCKER	NYLON 6/6, BLACK, UL94-V2	
SPRING	MUSIC WIRE	
SPRING, G FUNCTION	MUSIC WIRE	
INSULATOR	POLYETHERIMIDE, NATURAL	
TERMINAL, END, D, E & G FUNCTIONS	SILVER CLAD COPPER	GOLD OVER NICKEL
TERMINAL, CENTER, D, E & G FUNCTIONS	BRASS	GOLD OVER NICKEL
YOKE, E FUNCTION	BRASS	GOLD OVER NICKEL
ROCKER CONTACT	SILVER CLAD COPPER	
ROCKER CONTACT, G FUNCTION	SILVER CLAD COPPER	SILVER
NUT	BRASS	NICKEL
LOCKWASHER	STAINLESS STEEL	
TERMINAL SEAL	ACRYLIC RESIN	
LED WINDOW	ACRYLIC, TRANSPARENT	
LED		

SPECIFICATION CHART	
RATING	3A MAX @ 125 VAC OR 28 VDC, RESISTIVE
INITIAL CONTACT RESISTANCE	20 MILLIOHMS MAX.
INSULATION RESISTANCE	1,000 MEGAOHMS MIN @ 500 VDC
DIELECTRIC WITHSTANDING VOLTAGE	500 V RMS AT SEA LEVEL
ELECTRICAL LIFE, 2 POSITION	80,000 CYCLES
ELECTRICAL LIFE, 3 POSITION	10,000 CYCLES
MECHANICAL LIFE, 2 POSITION	100,000 CYCLES
MECHANICAL LIFE, 3 POSITION	50,000 CYCLES
OPERATING TEMPERATURE	-20°C TO +80°C
STORAGE TEMPERATURE	-45°C TO +95°C
LED VOLTAGE	2.8 VDC MAX.
LED FORWARD CURRENT, MAX.	RED: 20mA, GREEN: 25mA, RED/GREEN: 40mA



PANEL CUTOUTS
SCALE 2:1

FUNCTION CHART									
PART NUMBER	ALCO P/N	POLE	THROWS	RATING	LED COLOR				
1825426-1	TRD13D10WLLR204	1	2	3A	RED	ON	NONE	ON	
1825426-2	TRD13D10WLLR2504	1	2	3A	RED/GREEN	ON	NONE	ON	
1825426-3	TRD13D10WLLR504	1	2	3A	GREEN	ON	NONE	ON	
1825426-4	TRD13E10WLLR204	1	2	3A	RED	ON	OFF	ON	
1825426-5	TRD13G10WLLR204	1	2	3A	RED	(ON)	OFF	(ON)	
						TERMINALS CONNECTED	2-1	-	2-3

NONE: NO MECHANICAL POSITION
 OFF: MECHANICAL POSITION WITH NO ELECTRICAL CONNECTION
 (ON): MOMENTARY ACTION

THIS DRAWING IS A CONTROLLED DOCUMENT.

DIMENSIONS: INCHES	TOLERANCES UNLESS OTHERWISE SPECIFIED:	0 PLC ± .010	1 PLC ± .005	2 PLC ± .005	3 PLC ± .005	4 PLC ± .005	ANGLES ± .5°	FINISH SEE TABLE
--------------------	--	--------------	--------------	--------------	--------------	--------------	--------------	------------------

THIS DRAWING IS A CONTROLLED DOCUMENT.	DWN -	17JUN06	Tyco Electronics Corporation Harrisburg, Pa 17105-3608
CHK M. ZITTO	NAME	17JUN06	TRD SERIES ROCKER SWITCH 1 POLE, 3A, WIRE LUG TERMINALS WITH LED
APR M. ZITTO	PRODUCT SPEC		
APPL M. ZITTO	APPLICATION SPEC		
MATERIAL SEE TABLE	WEIGHT -	SIZE A1	CAGE CODE 00779
SEE TABLE	SCALE 4:1	SHEET 1 OF 1	REV A