



Chipsmall Limited consists of a professional team with an average of over 10 year of expertise in the distribution of electronic components. Based in Hongkong, we have already established firm and mutual-benefit business relationships with customers from,Europe,America and south Asia,supplying obsolete and hard-to-find components to meet their specific needs.

With the principle of "Quality Parts,Customers Priority,Honest Operation,and Considerate Service",our business mainly focus on the distribution of electronic components. Line cards we deal with include Microchip,ALPS,ROHM,Xilinx,Pulse,ON,Everlight and Freescale. Main products comprise IC,Modules,Potentiometer,IC Socket,Relay,Connector.Our parts cover such applications as commercial,industrial, and automotives areas.

We are looking forward to setting up business relationship with you and hope to provide you with the best service and solution. Let us make a better world for our industry!



Contact us

Tel: +86-755-8981 8866 Fax: +86-755-8427 6832

Email & Skype: info@chipsmall.com Web: www.chipsmall.com

Address: A1208, Overseas Decoration Building, #122 Zhenhua RD., Futian, Shenzhen, China



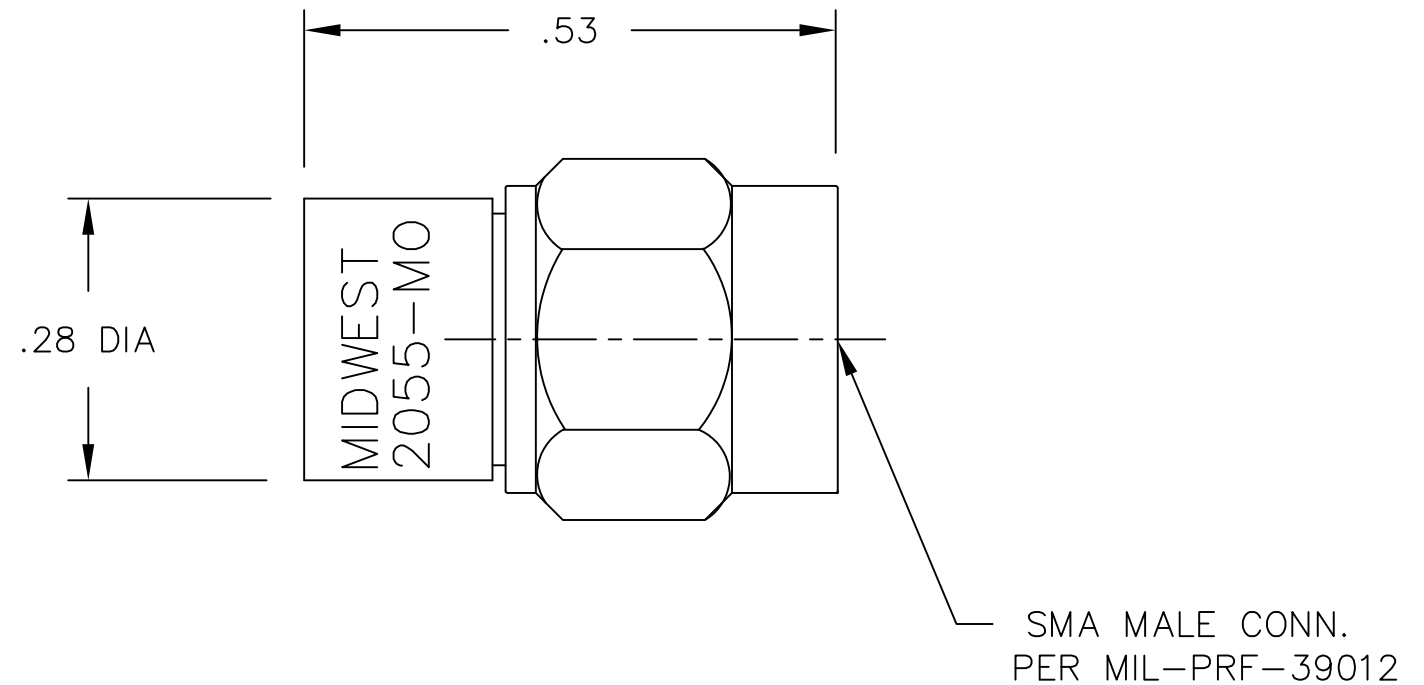
NOTES:

1.0 ELECTRICAL SPECIFICATIONS:

- 1.1 FREQUENCY RANGE: DC to 18.0 GHz
- 1.2 MAXIMUM INPUT POWER: 2 WATT AVG. @ +25°C
DERATED LINEARLY TO 1 WATT @ +125°C
- 1.3 TEMPERATURE RANGE:
OPERATING: -65°C to +125°C
STORAGE: -65°C to +125°C
- 1.4 IMPEDANCE: 50 OHMS
- 1.5 VSWR: 1.05 +0.008f(GHz) MAX.
- 1.6 WEIGHT: 0.12 Oz. (3.4 GRAMS)


2.0 MARKING:

MARK UNIT AS SHOWN
(REF.: INK-02639-27-01)



DWG NO. WAS: 02361-01-00

REV.	DESCRIPTION	DATE
-	RELEASED	11/21/89
A	ECR 6545	6/29/89
B	ECR 6942	11/16/89
B1	REDRAW ON CAD	9/3/91
C	ECN 11825	5/18/92
C1	ADDED TITLEBLOCK	10/27/05

<p>NOTICE: The information contained in this drawing is proprietary and must not be used without the permission of Cinch Connectivity Solutions.</p> <p>UNLESS OTHERWISE NOTED DIMENSIONS ARE IN INCHES AND TOLERANCES ARE: 3 PLACE DECIMALS ±.005 2 PLACE DECIMALS ±.02 FRACTIONS ±1/64 PARALLELITY: T.I.R. _____ FLATNESS: T.I.R. _____ CONCENTRICITY: T.I.R. _____ ANGLES AND PERPENDICULARITY: ±1'</p>	<p>CAGE CODE</p> <p>34078</p>	<p>MIDWEST MICROWAVE</p>	
		<p>TITLE</p> <p>TERMINATION OUTLINE DRAWING</p>	
<p>DRAWN/DATE</p> <p>A.BEATTY 9/4/91</p>	<p>ENG./DATE</p> <p>G.KOZAK 9/5/91</p>	<p>DRAWING NUMBER</p> <p>TRM-2055-MO-SMA-02-01</p>	<p>REV.</p> <p>C1</p>
<p>CHECKED/DATE</p> <p>C.RICKARD 9/5/91</p>	<p>APPROVED/DATE</p>	<p>SCALE: 5=1</p>	<p>SHEET 1 of 1</p>