



Chipsmall Limited consists of a professional team with an average of over 10 year of expertise in the distribution of electronic components. Based in Hongkong, we have already established firm and mutual-benefit business relationships with customers from,Europe,America and south Asia,supplying obsolete and hard-to-find components to meet their specific needs.

With the principle of “Quality Parts,Customers Priority,Honest Operation,and Considerate Service”,our business mainly focus on the distribution of electronic components. Line cards we deal with include Microchip,ALPS,ROHM,Xilinx,Pulse,ON,Everlight and Freescale. Main products comprise IC,Modules,Potentiometer,IC Socket,Relay,Connector.Our parts cover such applications as commercial,industrial, and automotives areas.

We are looking forward to setting up business relationship with you and hope to provide you with the best service and solution. Let us make a better world for our industry!



## Contact us

Tel: +86-755-8981 8866 Fax: +86-755-8427 6832

Email & Skype: info@chipsmall.com Web: www.chipsmall.com

Address: A1208, Overseas Decoration Building, #122 Zhenhua RD., Futian, Shenzhen, China



NOTES:

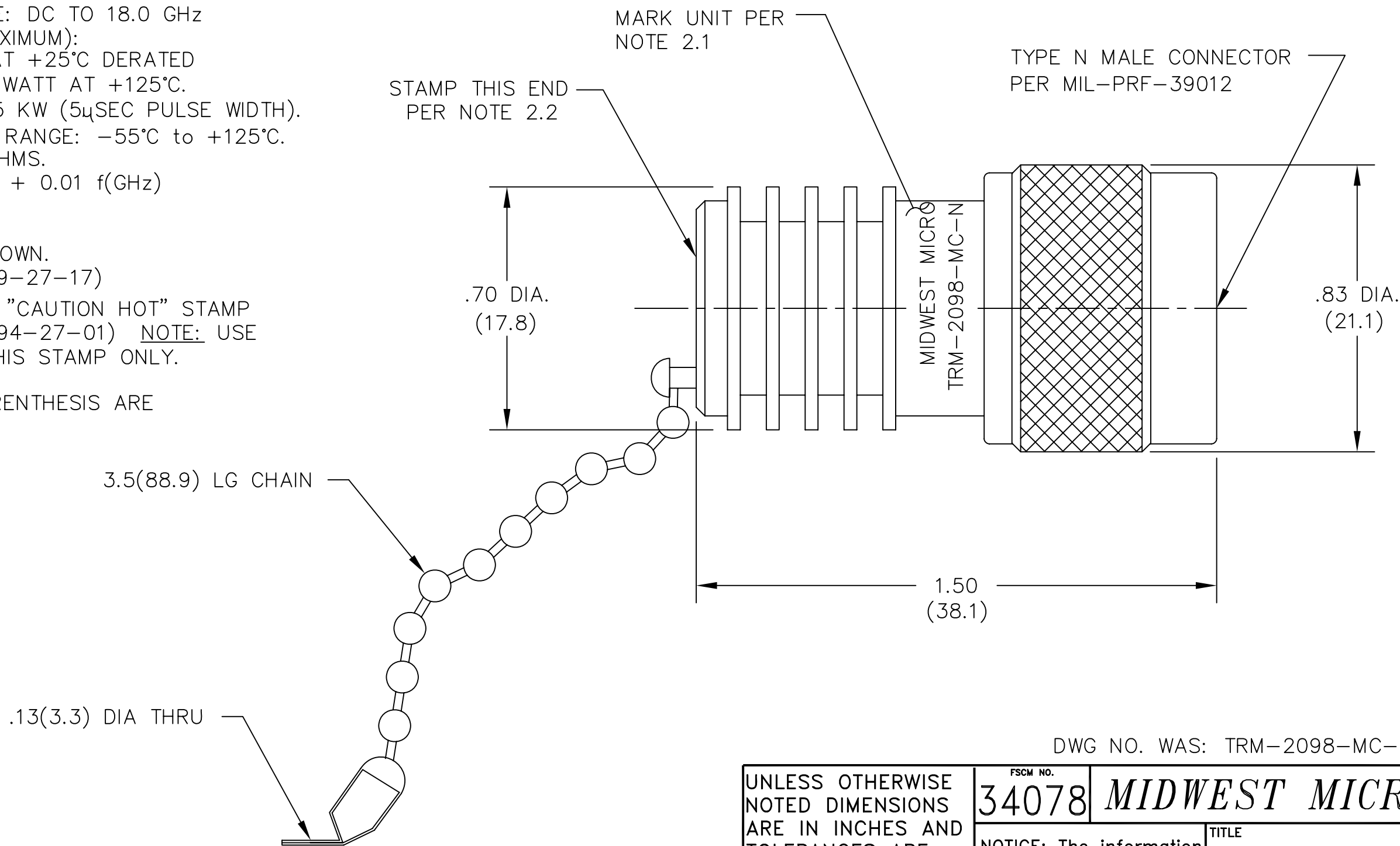
1.0 ELECTRICAL SPECIFICATIONS

- 1.1 FREQUENCY RANGE: DC TO 18.0 GHz
- 1.2 INPUT POWER (MAXIMUM):  
10 WATTS AVG. AT +25°C DERATED  
LINEARLY TO 1.0 WATT AT +125°C.
- 1.3 PEAK POWER: 0.25 KW (5μSEC PULSE WIDTH).
- 1.4 OPERATING TEMP. RANGE: -55°C to +125°C.
- 1.5 IMPEDANCE: 50 OHMS.
- 1.6 VSWR (MAX.): 1.05 + 0.01 f(GHz)

2.0 MARKING

- 2.1 MARK UNIT AS SHOWN.  
(REF: INK-02639-27-17)
- 2.2 STAMP END WITH "CAUTION HOT" STAMP  
(REF.: INK-04494-27-01) NOTE: USE  
RED INK FOR THIS STAMP ONLY.

3.0 DIMENSIONS IN PARENTHESIS ARE  
MILLIMETERS.



REV.	DESCRIPTION	DATE
-	RELEASED	7/27/90
-1	UPDATE MODEL NO.	5/17/91
A	UPDATE MARKING/SPECS	6/15/93
B	ECN 13716	6/23/94
B1	ADDED TITLEBLOCK	10/31/05

UNLESS OTHERWISE NOTED DIMENSIONS ARE IN INCHES AND TOLERANCES ARE:		FSCM NO. <b>34078</b>		<b>MIDWEST MICROWAVE</b>	
3 PLACE DECIMALS ±.005		NOTICE: The information contained in this drawing is proprietary and must not be used without the permission of Midwest Microwave		TITLE TERMINATION - TYPE N	
2 PLACE DECIMALS ±.02					
FRACTIONS ±1/64					
PARALLELITY: T.I.R. _____					
FLATNESS: T.I.R. _____		DRAWN/DATE D.ESTY 7/23/90	ENG./DATE R.ANDERSON 7/27/90	DRAWING NUMBER TRM-2098-MC-NNN-07	
CONCENTRICITY: T.I.R. _____		CHECKED/DATE A.BEATTY 7/28/90	APPROVED/DATE	SCALE: 3=1 SHEET 1 of 1	
ANGLES AND PERPENDICULARITY: ±1°					