



Chipsmall Limited consists of a professional team with an average of over 10 year of expertise in the distribution of electronic components. Based in Hongkong, we have already established firm and mutual-benefit business relationships with customers from,Europe,America and south Asia,supplying obsolete and hard-to-find components to meet their specific needs.

With the principle of “Quality Parts,Customers Priority,Honest Operation,and Considerate Service”,our business mainly focus on the distribution of electronic components. Line cards we deal with include Microchip,ALPS,ROHM,Xilinx,Pulse,ON,Everlight and Freescale. Main products comprise IC,Modules,Potentiometer,IC Socket,Relay,Connector.Our parts cover such applications as commercial,industrial, and automotives areas.

We are looking forward to setting up business relationship with you and hope to provide you with the best service and solution. Let us make a better world for our industry!



Contact us

Tel: +86-755-8981 8866 Fax: +86-755-8427 6832

Email & Skype: info@chipsmall.com Web: www.chipsmall.com

Address: A1208, Overseas Decoration Building, #122 Zhenhua RD., Futian, Shenzhen, China



NOTES:

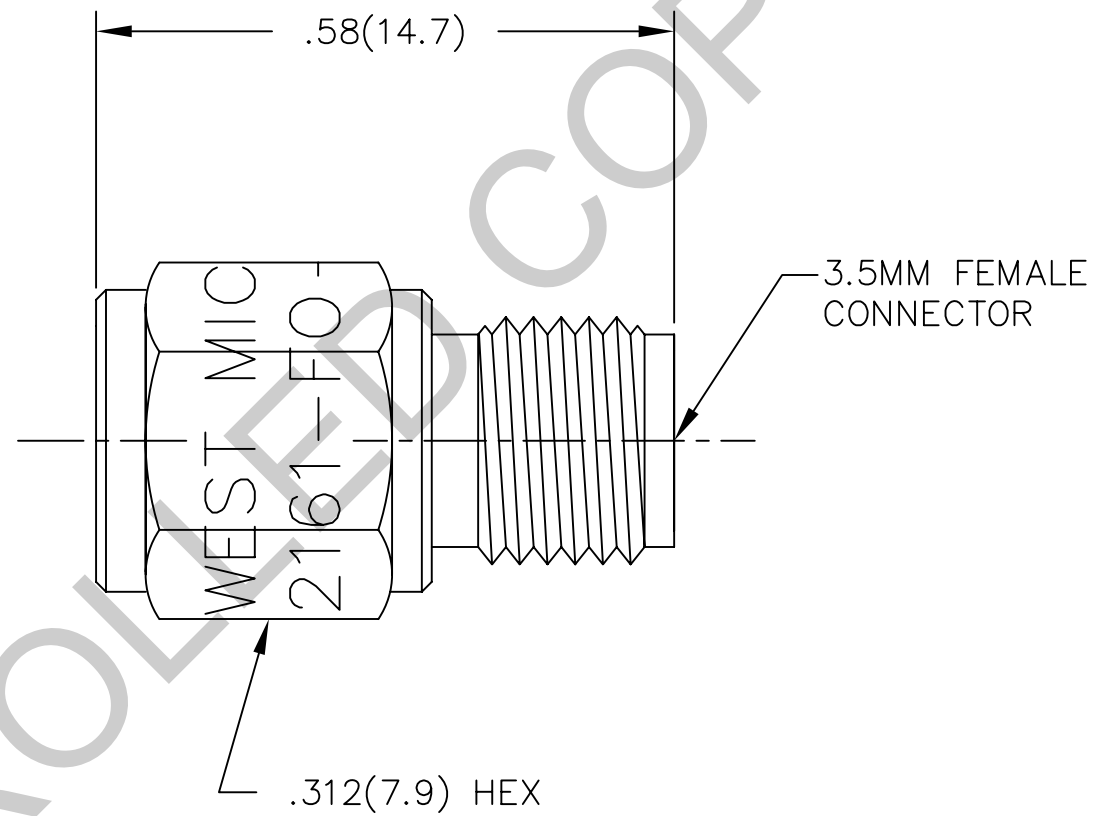
1.0 ELECTRICAL SPECIFICATIONS:

- 1.1 FREQUENCY RANGE: DC to 18.0 GHz
- 1.2 VSWR: 1.12:1 MAX.
- 1.3 MAXIMUM INPUT POWER: 2 WATTS AVG. @ +25°C
DERATED LINEARLY TO 1 WATT @ +125°C
- 1.4 OPERATING TEMP. RANGE:
-65°C to +125°C

2.0 MARKING:

MARK UNIT AS SHOWN
(REF: INK-02639-27-23)

3.0 DIMENSIONS IN PARENTHESIS ARE MILLIMETERS.



DWG NO. WAS: 06847-01-00

REV.	DESCRIPTION	DATE
-	RELEASED	8/12/92
A	ECR 6545	8/1/89
B	ECN 11948	8/6/92
C	ECN 12132	10/16/92
D	ECN 12390	2/1/93
D1	ADDED TITLEBLOCK	11/9/05

UNLESS OTHERWISE NOTED DIMENSIONS ARE IN INCHES AND TOLERANCES ARE: 3 PLACE DECIMALS ±.005 2 PLACE DECIMALS ±.02 FRACTIONS ±1/64 PARALLELITY: T.I.R. _____ FLATNESS: T.I.R. _____ CONCENTRICITY: T.I.R. _____ ANGLES AND PERPENDICULARITY: ±1°	FSCM NO. 34078	MIDWEST MICROWAVE		
	NOTICE: The information contained in this drawing is proprietary and must not be used without the permission of Midwest Microwave		TITLE TERMINATION	
	DRAWN/DATE A.BEATTY 8/6/92	ENG./DATE G.KOZAK 8/7/92	DRAWING NUMBER TRM-2161-FO-35M-02	
	CHECKED/DATE M.HOLLMAN 8/7/92	APPROVED/DATE	SCALE: 5=1	SHEET 1 of 1

MODEL NUMBER
TRM-2161-FO-35M-02
REV.
D1