



Chipsmall Limited consists of a professional team with an average of over 10 year of expertise in the distribution of electronic components. Based in Hongkong, we have already established firm and mutual-benefit business relationships with customers from,Europe,America and south Asia,supplying obsolete and hard-to-find components to meet their specific needs.

With the principle of “Quality Parts,Customers Priority,Honest Operation,and Considerate Service”,our business mainly focus on the distribution of electronic components. Line cards we deal with include Microchip,ALPS,ROHM,Xilinx,Pulse,ON,Everlight and Freescale. Main products comprise IC,Modules,Potentiometer,IC Socket,Relay,Connector.Our parts cover such applications as commercial,industrial, and automotives areas.

We are looking forward to setting up business relationship with you and hope to provide you with the best service and solution. Let us make a better world for our industry!



## Contact us

Tel: +86-755-8981 8866 Fax: +86-755-8427 6832

Email & Skype: info@chipsmall.com Web: www.chipsmall.com

Address: A1208, Overseas Decoration Building, #122 Zhenhua RD., Futian, Shenzhen, China



# TRS Power Rack Systems N + 1 Redundant



## FEATURES:

- N+1 redundancy
- Front access
- Hot pluggability
- Up to 6 KW in one 3U (5 1/4") rack
- Field configurable
- Single phase or 3 phase input
- Blank filler panels available
- Fits 19" rack

Consult factory for Value Added instrumentation and Custom Paint Color options.

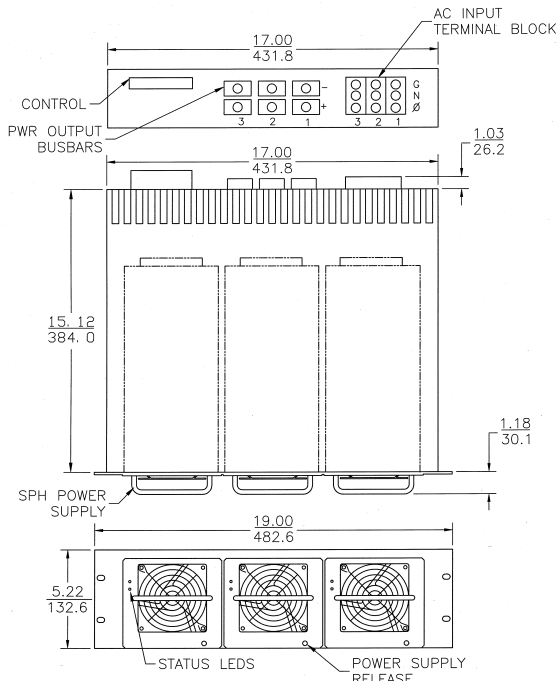


Model	Panel Height	Mounts	Power Modules
TRS-3-3	3U (5 1/4")	From 1 to 3	SPH 1200
TRS-2-3	2U (3 1/2")	From 1 to 3	TCM 1000
TRS -3-6	3U (5 1/4")	From 1 to 6	TCM 1000



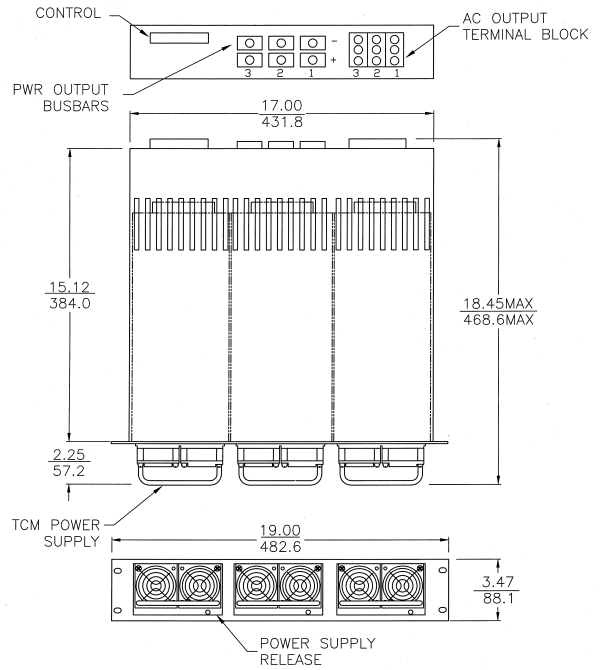


**TRS-3-3**



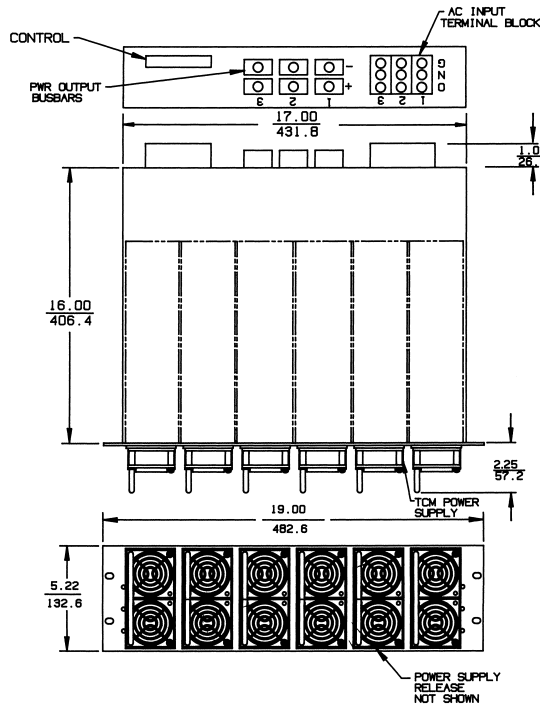
3U (5<sup>1/4</sup>" ) panel height, mounts from 1 to 3  
SPH 1200 Power Modules

**TRS-2-3**



2U (3<sup>1/2</sup>" ) panel height, mounts from 1 to 3  
TCM 1000 Power Modules

**TRS-3-6**



3U (5<sup>1/4</sup>" ) panel height, mounts from 1 to 6  
TCM 1000 Power Modules

NOTES: Racks and power supplies are shipped separately

Dimensions: Inches  
Millimeters

