



Chipsmall Limited consists of a professional team with an average of over 10 year of expertise in the distribution of electronic components. Based in Hongkong, we have already established firm and mutual-benefit business relationships with customers from,Europe,America and south Asia,supplying obsolete and hard-to-find components to meet their specific needs.

With the principle of “Quality Parts,Customers Priority,Honest Operation,and Considerate Service”,our business mainly focus on the distribution of electronic components. Line cards we deal with include Microchip,ALPS,ROHM,Xilinx,Pulse,ON,Everlight and Freescale. Main products comprise IC,Modules,Potentiometer,IC Socket,Relay,Connector.Our parts cover such applications as commercial,industrial, and automotives areas.

We are looking forward to setting up business relationship with you and hope to provide you with the best service and solution. Let us make a better world for our industry!



Contact us

Tel: +86-755-8981 8866 Fax: +86-755-8427 6832

Email & Skype: info@chipsmall.com Web: www.chipsmall.com

Address: A1208, Overseas Decoration Building, #122 Zhenhua RD., Futian, Shenzhen, China

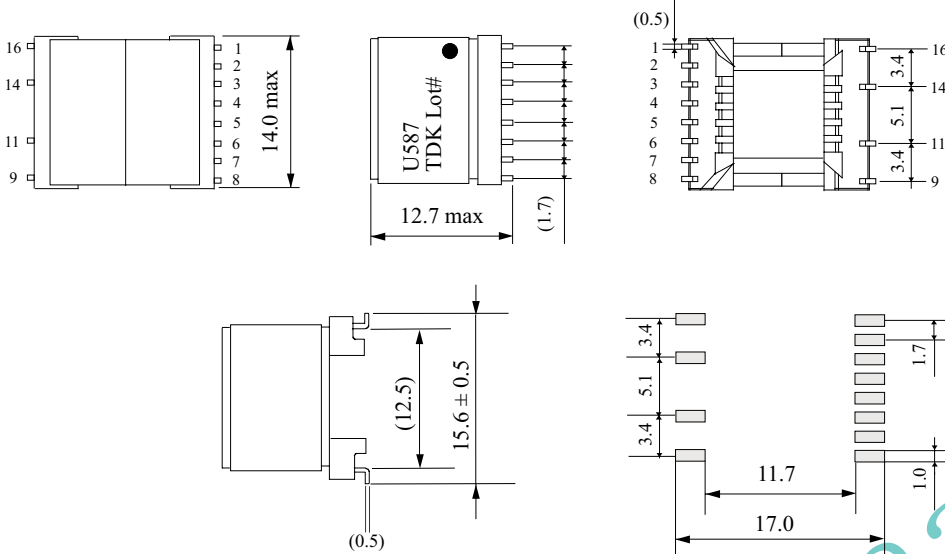


TDK Transformer

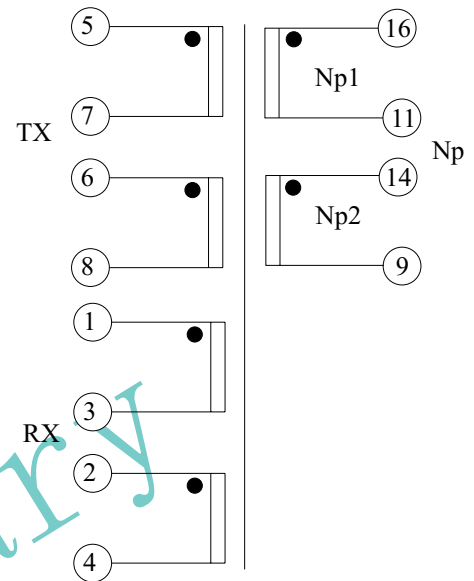
TRTEP13S-U587B015

Texas Instruments 2.5:2.5:1.0 UR8 AnnexA CPE

Mechanical



Schematics



(Chip Side) (Line Side)

Np : TX = 2.5 : 1.0
 Np : RX = 1.0 : 1.0

Electrical Specifications @25degreesC

Parameter	Min	Nom	Max	Units	Conditions
Inductance	1.38	1.50	1.62	mH	16-9 (tied11+14), 10KHz, 0.1V.
Leakage Inductance			10.0	uH	Line, 16-9 (tied11-14,short others), 100KHz, 0.1V.
			1.00	uH	TX, 5-8 (tied6+7,short others), 100KHz, 0.1V.
DC Resistance	1.75	2.05	2.40	Ohms	Line, 16-9 (tied11+14)
	2.50	3.15	3.80	Ohms	RX, 1-4 (tied2+3)
	0.360	0.425	0.500	Ohms	TX, 5-8 (tied6+7)
Turns Ratio		2.5 : 1.0		±2%	Line:TX, 16-9(tied11+14) : 5-8(tied7+6),10KHz, 0.1V
		1.0 : 1.0		±2%	Line:RX, 16-9(tied11+14) : 1-4(tied2+3),10KHz, 0.1V
Dielectric Withstanding		1,500		Vrms	Between Line Side and Chip Side
Total Harmonic Distortion			-90.0	dB	25KHz,2Vrms
Longitudinal Balance	60			dB	1.1MHz
Operating Temperature	-40		85	°C	
Safety Requirements	Supplementary Insulation				EN60950/UL60950 between SELV and TNV
RoHS compliant	This means that, in conformity with EU Directive 2002/95/EC, lead, cadmium, mercury, hexavalent chromium, and specific bromine-based flame retardants, PBB and PBDE, have not been used, except for exempted applications.				