



Chipsmall Limited consists of a professional team with an average of over 10 year of expertise in the distribution of electronic components. Based in Hongkong, we have already established firm and mutual-benefit business relationships with customers from,Europe,America and south Asia,supplying obsolete and hard-to-find components to meet their specific needs.

With the principle of “Quality Parts,Customers Priority,Honest Operation,and Considerate Service”,our business mainly focus on the distribution of electronic components. Line cards we deal with include Microchip,ALPS,ROHM,Xilinx,Pulse,ON,Everlight and Freescale. Main products comprise IC,Modules,Potentiometer,IC Socket,Relay,Connector.Our parts cover such applications as commercial,industrial, and automotives areas.

We are looking forward to setting up business relationship with you and hope to provide you with the best service and solution. Let us make a better world for our industry!



## Contact us

Tel: +86-755-8981 8866 Fax: +86-755-8427 6832

Email & Skype: info@chipsmall.com Web: www.chipsmall.com

Address: A1208, Overseas Decoration Building, #122 Zhenhua RD., Futian, Shenzhen, China



# .050" [1.27mm] CONTACT CENTERS [PCI]

## CANTILEVER CONTACT

T R W B 092 DKHN -T20

INSULATOR MATERIAL

T = PBT

CONTACT MATERIAL

P = Phosphor Bronze  
R = Brass

PLATING

Contact Surface	Termination	Underplate
Z = .000010" Gold	.000100" Tin	.000050" Nickel
X = .000030" Gold	.000100" Tin	.000050" Nickel
W = .000005" Gold	.000100" Tin	.000050" Nickel

CONTACT CENTERS

B = .050" [1.27mm]

MODIFICATION

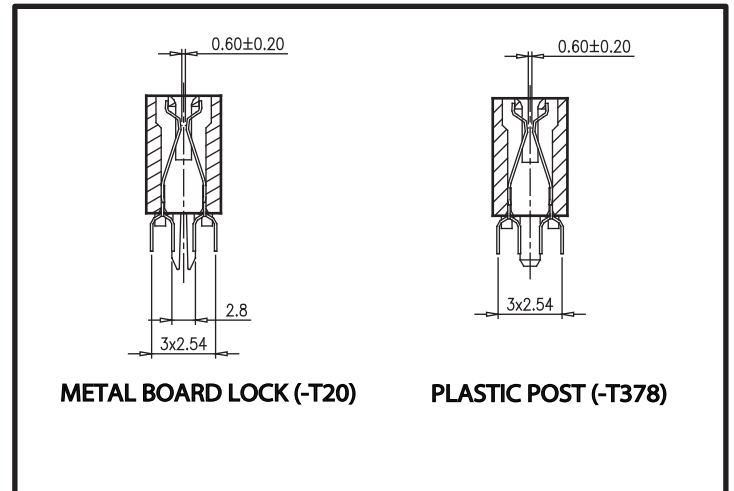
-T20 = PCI STYLE WITH METAL BOARD LOCK

-T378 = PCI STYLE WITH PLASTIC GUIDE POST

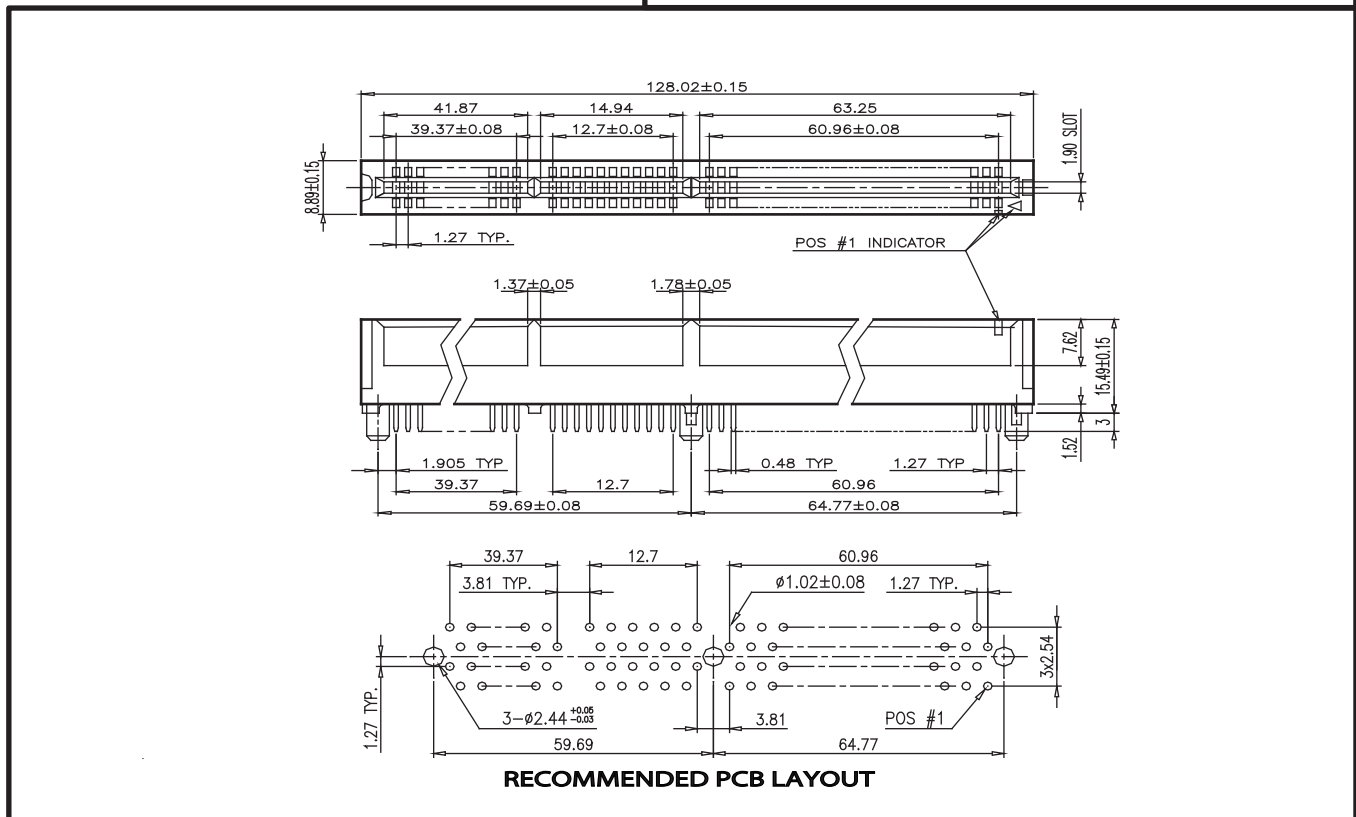
DKHN = Dual Row Cantilever Contacts, no Mounting Ears

### FEATURES

- \* Cantilever Contacts
- \* 64 Bit, 5.0V
- \* Accommodates .062 ± .008" PC board  
(Consult factory for other board thicknesses)
- \* PPS or PBT insulator UL94V-0
- \* Molded-in key
- \* 3 amp current rating
- \* 150 grams normal force minimum
- \* Voltage rating: 250 VAC RMS
- \* Insulation resistance: 1,000 Megohms Min
- \* Temperature range: -55 to +85
- \* Consult Factory for More Details



Dimensions are in millimeters



RECOMMENDED PCB LAYOUT

