



Chipsmall Limited consists of a professional team with an average of over 10 year of expertise in the distribution of electronic components. Based in Hongkong, we have already established firm and mutual-benefit business relationships with customers from,Europe,America and south Asia,supplying obsolete and hard-to-find components to meet their specific needs.

With the principle of “Quality Parts,Customers Priority,Honest Operation,and Considerate Service”,our business mainly focus on the distribution of electronic components. Line cards we deal with include Microchip,ALPS,ROHM,Xilinx,Pulse,ON,Everlight and Freescale. Main products comprise IC,Modules,Potentiometer,IC Socket,Relay,Connector.Our parts cover such applications as commercial,industrial, and automotives areas.

We are looking forward to setting up business relationship with you and hope to provide you with the best service and solution. Let us make a better world for our industry!



Contact us

Tel: +86-755-8981 8866 Fax: +86-755-8427 6832

Email & Skype: info@chipsmall.com Web: www.chipsmall.com

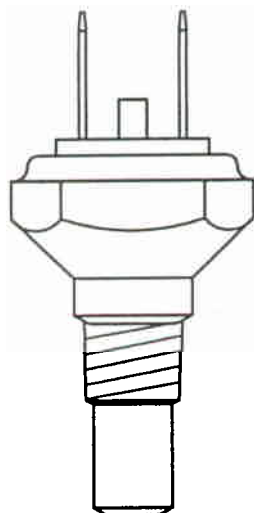
Address: A1208, Overseas Decoration Building, #122 Zhenhua RD., Futian, Shenzhen, China



TEMPERATURE SENDERS

Model TS Series

CURTIS



DESCRIPTION

These senders have been selected to match the Curtis Engine Gage product line. Offering accurate electrical response and mechanical reliability, these senders can be customized to meet a variety of OEM applications. Select the media (coolant, engine oil, gear oil, air, etc.), thread size, temperature range and preferred electrical terminals and contact Curtis for additional information.

WARRANTY

One year from date of delivery.

Application

For use in construction, agricultural and material handling vehicles as well as stationary equipment, such as generators and compressors.

Features

- These senders are fabricated using NTC semiconductor thermistors especially chosen for their high reliability, sensitivity and long service life.
- Available in a wide variety of English and metric thread sizes.
- Standard models offer easy-to-install 0.25 inch quick connect terminals. Other configurations are available for OEM applications.
- Low current, power saving versions available to enhance electrical system efficiency.
- Available in single wire package as well as isolated ground dual wire package for enhanced accuracy and reliability.
- Standard senders are accurate to within 5%. Special enhanced senders are available for applications requiring improved performance.

Options

- Contact Curtis for information on custom senders for OEM applications

Wiring

Single Wire models- to sender input terminal of Curtis Engine Gage.

Note: These senders are grounded to vehicle chassis through the sender body. Teflon tape or pipe lubricant can act as an insulator and interfere with instrument operation.

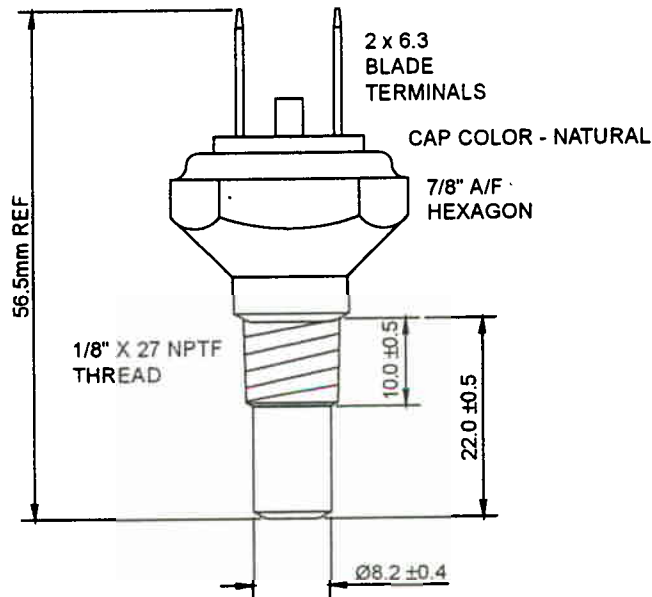
Dual wire models- one wire to the sender input terminal of the Curtis Engine Gage, the other to the sender low terminal of the Curtis Engine Gage.
(These senders are not polarity sensitive).

Model Encodement

<p>TS Temperature sender</p>	<p>-001 Sequential number indicates sender's features</p>
---	--

Dimensions: mm (except as noted)

Model TS-004 shown



Specifications

Model	Thread	Range	Medium	Electrical	Terminals	Output
TS-001	1/8" NPTF	100-250F	Coolant	Single Wire	Blade	Power Saver
TS-002	"	"	"	Single Wire	Screw	705-54 ohm
TS-004	"	"	"	Dual Wire	Blade	705-54 ohm
TS-005	"	"	"	Single Wire	Blade	705-54 ohm