



Chipsmall Limited consists of a professional team with an average of over 10 year of expertise in the distribution of electronic components. Based in Hongkong, we have already established firm and mutual-benefit business relationships with customers from,Europe,America and south Asia,supplying obsolete and hard-to-find components to meet their specific needs.

With the principle of "Quality Parts,Customers Priority,Honest Operation,and Considerate Service",our business mainly focus on the distribution of electronic components. Line cards we deal with include Microchip,ALPS,ROHM,Xilinx,Pulse,ON,Everlight and Freescale. Main products comprise IC,Modules,Potentiometer,IC Socket,Relay,Connector.Our parts cover such applications as commercial,industrial, and automotives areas.

We are looking forward to setting up business relationship with you and hope to provide you with the best service and solution. Let us make a better world for our industry!



## Contact us

Tel: +86-755-8981 8866 Fax: +86-755-8427 6832

Email & Skype: info@chipsmall.com Web: www.chipsmall.com

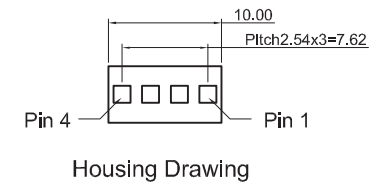
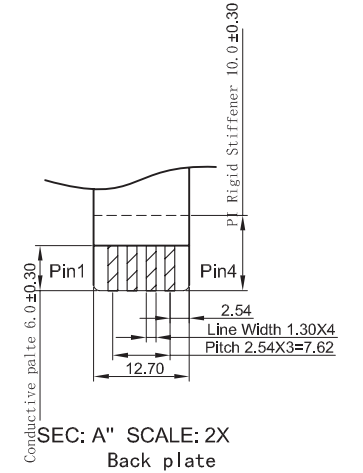
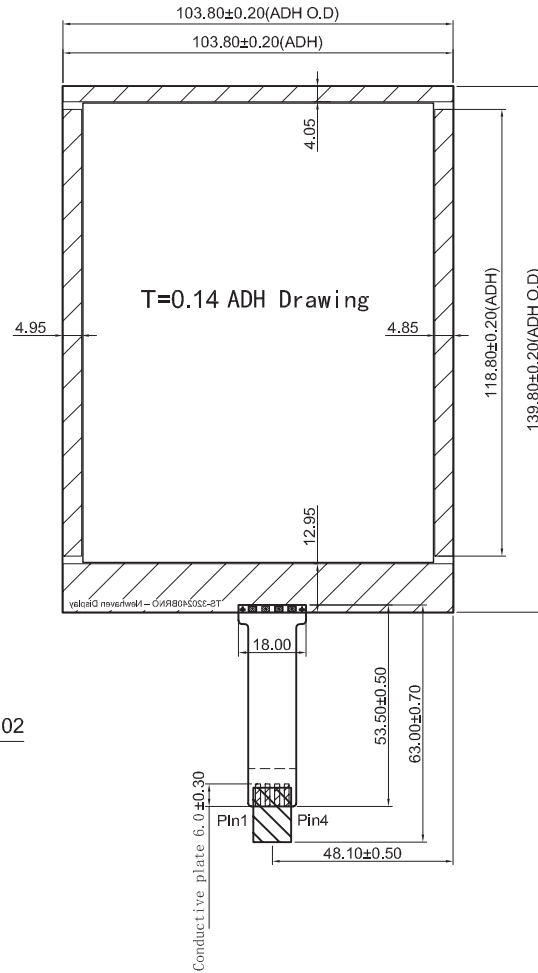
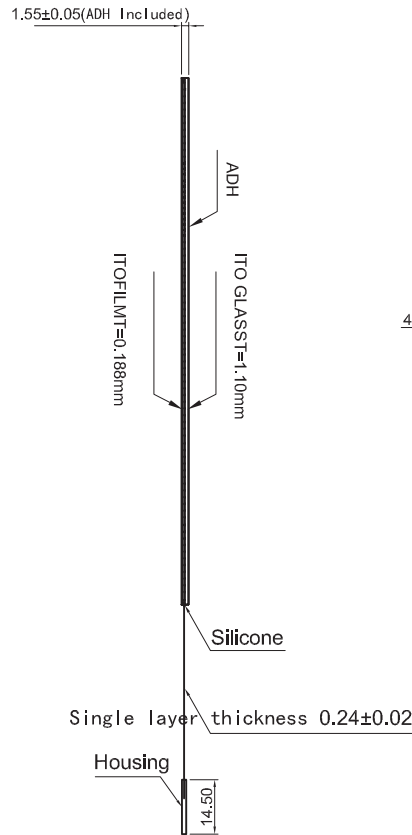
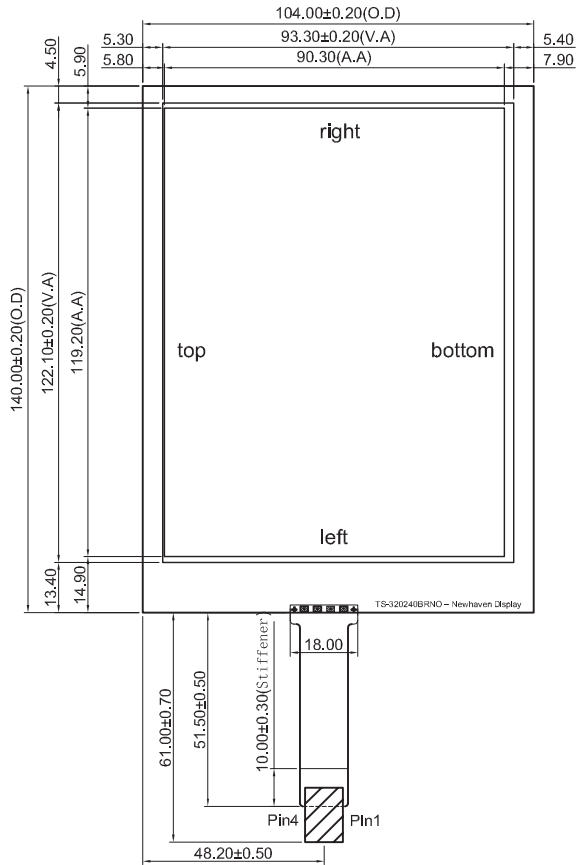
Address: A1208, Overseas Decoration Building, #122 Zhenhua RD., Futian, Shenzhen, China



PIN OUT	CIRCUIT DIAGRAM
1 right	
2 left	
3 bottom	
4 top	

PIN1-PIN2	350ohm-1000ohm	GLASS
PIN3-PIN4	200ohm-650ohm	FILM

### Revision Record



**NOTE:**

- PRODUCT CONFIGURATION:  
ITO FILM(Anti Hard Coating T=0.188mm)+  
ITO GLASS (T=1.10mm) +FPC +Housing+ADH
- RATED VOLTAGE : DC 5V
- INSULATION RESISTANCE :  $\geq 20M \Omega$  (25V DC)
- LINEARITY :  $\leq 1.5\%$
- TRANSMITTANCE :  $\geq 80\%$
- OPERATE FORCE :  $65 \pm 15g$
- RESPOND TIME :  $< 10ms$
- HARDNESS OF SURFACE : 3H
- INPUT LIFE :  $\geq 1,000,000$ TIMES
- NOTES LIFE :  $\geq 100,000$ TIMES
- OPERATION TEMP :  $-10^{\circ}C \sim +60^{\circ}C$
- STORAGE TEMP :  $-20^{\circ}C \sim +70^{\circ}C$
- TOLERANCE UNLESS :  $\pm 0.2$
- ACCORD WITH "ROHS" CRITERIA

UNIT: mm		Approved by	<h1>Newhaven Display</h1>
SCALE: 1 : 1	DATE: 2010-04-20	Check by	
PAGE: 1 of 1	TAIL: A-202(1)	Drawing by	
			Product No: TS-320240BRNO