



Chipsmall Limited consists of a professional team with an average of over 10 year of expertise in the distribution of electronic components. Based in Hongkong, we have already established firm and mutual-benefit business relationships with customers from,Europe,America and south Asia,supplying obsolete and hard-to-find components to meet their specific needs.

With the principle of "Quality Parts,Customers Priority,Honest Operation,and Considerate Service",our business mainly focus on the distribution of electronic components. Line cards we deal with include Microchip,ALPS,ROHM,Xilinx,Pulse,ON,Everlight and Freescale. Main products comprise IC,Modules,Potentiometer,IC Socket,Relay,Connector.Our parts cover such applications as commercial,industrial, and automotives areas.

We are looking forward to setting up business relationship with you and hope to provide you with the best service and solution. Let us make a better world for our industry!



Contact us

Tel: +86-755-8981 8866 Fax: +86-755-8427 6832

Email & Skype: info@chipsmall.com Web: www.chipsmall.com

Address: A1208, Overseas Decoration Building, #122 Zhenhua RD., Futian, Shenzhen, China



PRODUCT NUMBER
20020010-XXXXXXLF

20020010-□ □ □ □ 0 □ L F

PITCH
C: 3.50 mm
D: 3.81 mm
G: 5.00 mm
H: 5.08 mm

POLES
02: 2 POLES
03: 3 POLES
04: 4 POLES
24: 24 POLES

LF : NOTED RoHS COMPATIBLE

1 : STANDARD PRODUCT
W/ BOX PACKING

PROPERTY TABLE						
FCI SERIES NAME		02-350	02-381	02-500	02-508	
PITCH (mm)		3.50	3.81	5.00	5.08	
VOLTAGE RATING (VAC)		300	300	300	300	
CURRENT RATING (A)	cULus	8	8	12	12	
	VDE	10	10	NA	NA	
APPLICABLE WIRE RANGE (AWG)	1-WIRE	16~28	16~28	12~24	12~24	
	2-WIRE	20	20	18	18	
WIRE CROSS SECTION (mm ²)	SOLID	1-WIRE	1.5	1.5	2.5	2.5
		2-WIRE	0.5	0.5	1.0	1.0
	STRANDED	1-WIRE	1.5	1.5	2.5	2.5
		2-WIRE	0.75	0.75	1.5	1.5
OPENING CONTACT HOUSING(mm ²)		2.8x1.7	2.8x1.7	2.6x3.3	2.6x3.3	
WIRE STRIP LENGTH(mm)		6~7	6~7	6~7	6~7	
TORQUE +/-10% (N-m/Lb-in)		0.19/1.7	0.19/1.7	0.4/3.5	0.4/3.5	
SCREW		M2x0.4	M2x0.4	M3x0.5	M3x0.5	
WITHSTANDING VOLTAGE (kV)	cULus	1.6	1.6	1.6	1.6	
	VDE	2.5	2.5	NA	NA	
OPERATING TEMP. (°C)		-40~+115	-40~+115	-40~+115	-40~+115	
POLES AVAILABLE		02~24	02~24	02~24	02~24	
SAFETY CERTIFICATE						

HOUSING CODE

CODE	COLOR	AVAILABILITY
1	GREEN(RAL 6018/T)	STANDARD
2	BLACK	ON REQUEST ONLY
3	GREY(RAL 7004/P)	ON REQUEST ONLY
4	BLUE(RAL 5015/A)	ON REQUEST ONLY

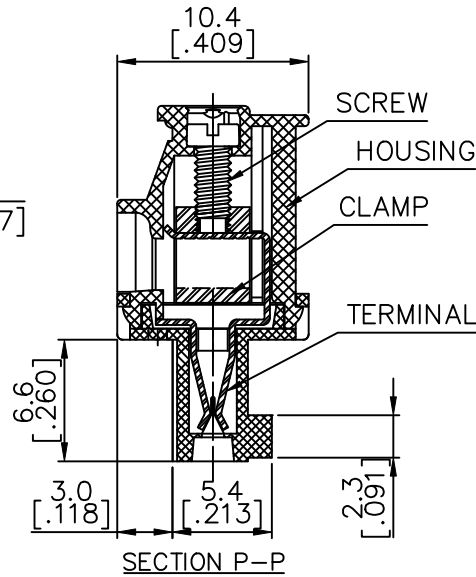
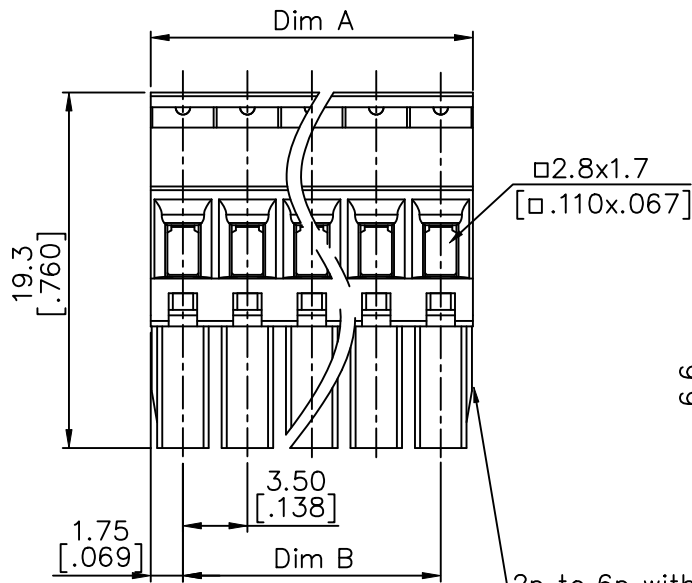
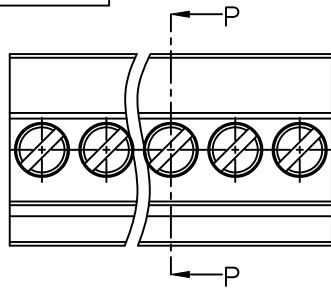
SCREW CODE

CODE	SCREW TYPE	AVAILABILITY
A	-/+	ON REQUEST ONLY
B	-	STANDARD

- NOTES:
- MATERIALS
 - 1-1 HOUSING: THERMALPLASTIC RESIN, UL 94V-0 RATED.
 - 1-2 SCREW: STEEL, ZINC PLATED.
 - 1-3 CLAMP: COPPER ALLOY, NICKEL PLATED.
 - 1-4 TERMINAL: COPPER ALLOY, TIN PLATED.
 - PRODUCT SPECIFICATION REFER TO FCI GS-12-625.
 - PRODUCT PACKING SPECIFICATION REFER TO FCI GS-14-1394.
 - FCI, SAFETY CERTIFICATE LOGO AND SERIES NAME TO BE SHOWN ON PRODUCT SURFACE.
 - THE PRODUCTS WHERE THE PART NUMBER END IN "LF" MEET THE EUROPEAN UNION DIRECTIVE AND OTHER COUNTRY REGULATIONS AS DESCRIBED IN GS-22-008.

mat'l. code		surface ASME Y14.5	tolerance ASME Y14.5	projection 	product family TERMINAL BLOCK
ltr	ecn no	dr	date	tolerances unless otherwise specified	title
A	T10-0029	JH	120909	angles X.±0.5	TERMINAL BLOCK PLUGGABLE PLUG, BACK SIDE HOOK
B	T10-0042	WL	030310	X.X±0.3	
C	T10-0082	WL	080510	X'±1"	X.XX±0.1
D	T10-0158	WL	100410	dr	JASON HSU 120909
E	T11-0013	WL	040811	enr	JASON HSU 120909
F	T-005908	WL	091311	chr	GARY HSIEH 120909
				appd	JOSEPH HSIA 120909
sheet index	revision	F	F	F	F
	sheet	1	2	3	4
				scale	MM [INCH]
				dwg no	sheet 1 of 5 size
				20020010 A4	
				type	CUSTOMER Drawing

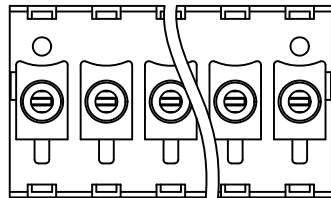
PRODUCT NUMBER	SERIES NAME	PITCH
20020010-CXXXXXXLF	02-350	3.50 mm



N = Number of poles
 Dim A = $N \times 3.5$ [.138]
 Dim B = $(N-1) \times 3.5$ [.138]

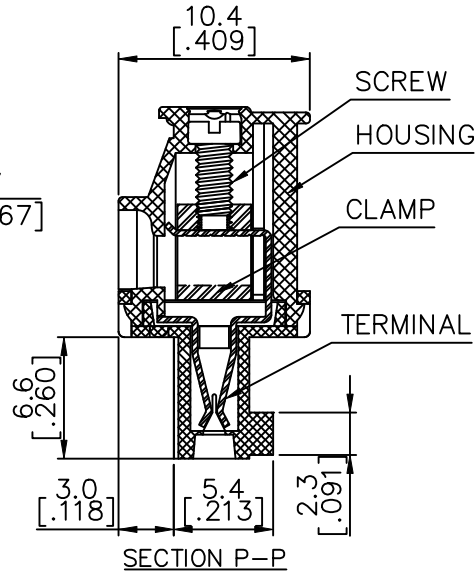
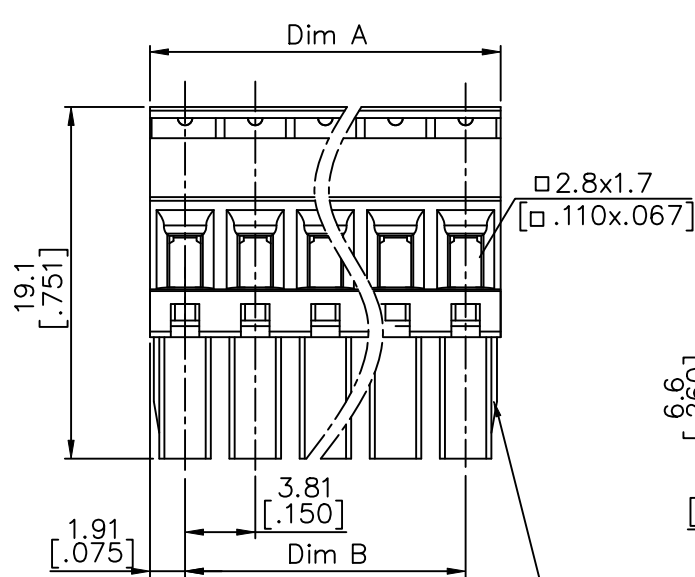
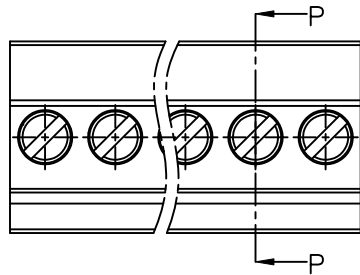
POLES	TOLERANCE
2-6p	± 0.15 [.006]
7-12p	± 0.20 [.008]
13-18p	± 0.25 [.010]
19-24p	± 0.30 [.012]

2p to 6p with wedge, above 7p without wedge (including 7p)



mat'l. code		surface ASME Y14.5 ✓	tolerance ASME Y14.5	projection 	product family TERMINAL BLOCK
ltr	ecn no	dr	date	tolerances unless otherwise specified	title
F				angles X ± 0.5 X.X ± 0.3 X.XX ± 0.1	TERMINAL BLOCK PLUGGABLE PLUG, BACK SIDE HOOK
				scale MM [INCH]	dwg no 20020010
		dr	JASON HSU 120909		sheet 2 of 5 size A4
		enr	JASON HSU 120909		type CUSTOMER Drawing
		chr	GARY HSIEH 120909		
		appd	JOSEPH HSIA 120909		
sheet index	revision sheet				

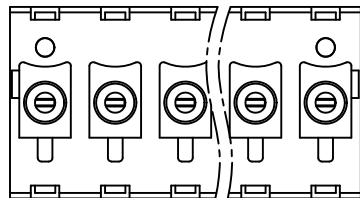
PRODUCT NUMBER	SERIES NAME	PITCH
20020010-DXXXXXXLF	02-381	3.81 mm



N = Number of poles
 Dim A = N x 3.81 [.150]
 Dim B = (N-1) x 3.81 [.150]

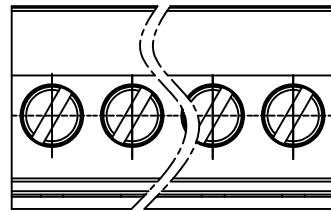
POLES	TOLERANCE
2-6p	±0.15 [.006]
7-12p	±0.20 [.008]
13-18p	±0.25 [.010]
19-24p	±0.30 [.012]

2p to 6p with wedge, above 7p
 without wedge (including 7p)



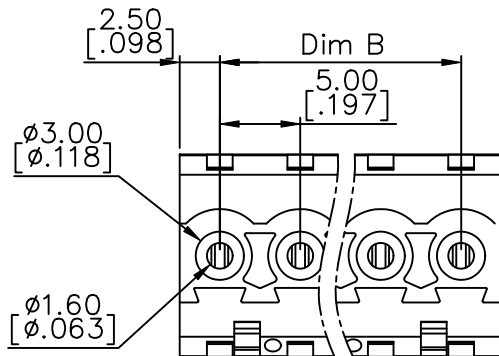
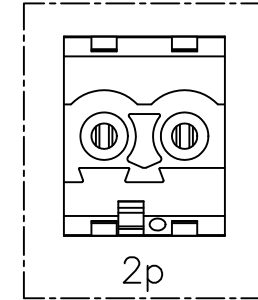
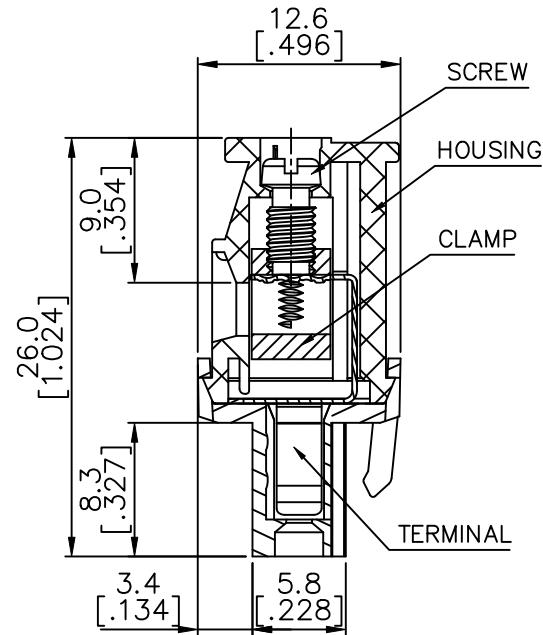
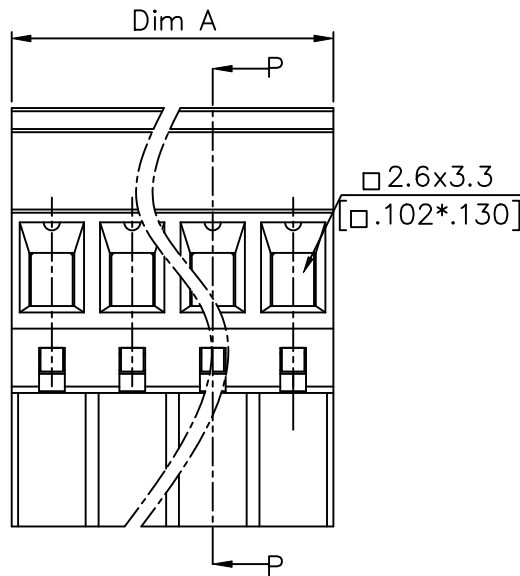
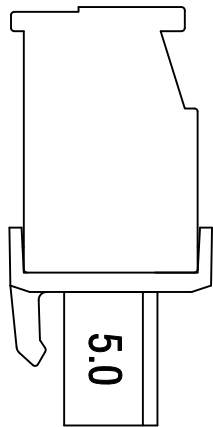
mat'l. code		surface ASME Y14.5 ✓	tolerance ASME Y14.5	projection 	product family TERMINAL BLOCK
ltr	ecn no	dr	date	tolerances unless otherwise specified	title
F				angles X ± 0.5 X.X ± 0.3 X° ± 1'	TERMINAL BLOCK PLUGGABLE PLUG, BACK SIDE HOOK
				scale MM [INCH]	dwg no 20020010
		dr	JASON HSU 120909		sheet 3 of 5 size A4
		enr	JASON HSU 120909		type CUSTOMER Drawing
		chr	GARY HSIEH 120909		
		appd	JOSEPH HSIA 120909		
sheet index	revision sheet				

PRODUCT NUMBER	SERIES NAME	PITCH
20020010-GXXXXXL	02-500	5.00 mm



N = Number of poles
 Dim A = N x 5.0 [.197]
 Dim B = (N - 1) x 5.0 [.197]

POLES	TOLERANCE
2-6p	±0.15 [.006]
7-12p	±0.25 [.010]
13-18p	±0.30 [.012]
19-24p	±0.40 [.016]

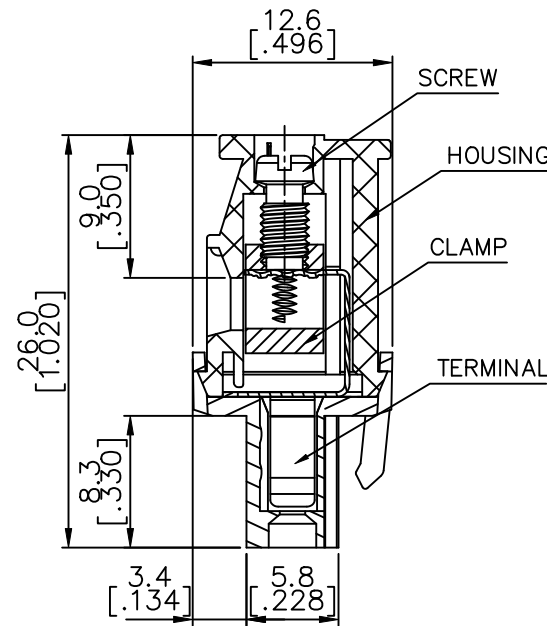
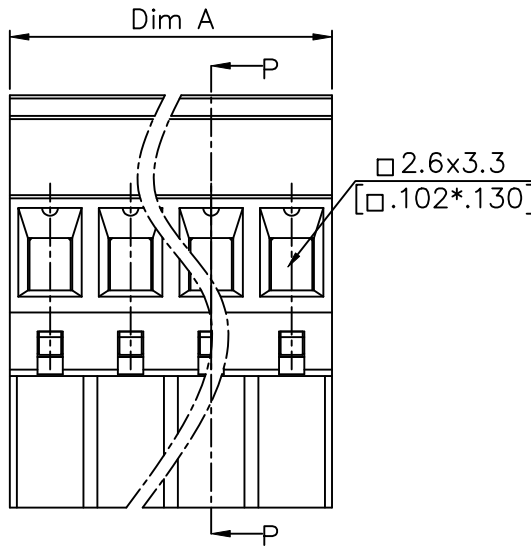
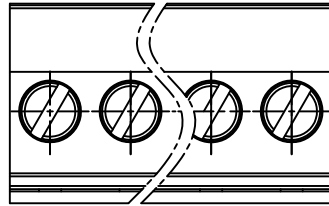


mat'l. code	surface ASME Y14.5	tolerance ASME Y14.5	projection MM INCH	product family TERMINAL BLOCK
ltr	ecn no	dr	date	title
F				TERMINAL BLOCK PLUGGABLE PLUG, BACK SIDE HOOK
				scale
				dwg no 20020010
				sheet 4 of 5 size A4
				type CUSTOMER Drawing
sheet index	revision sheet			

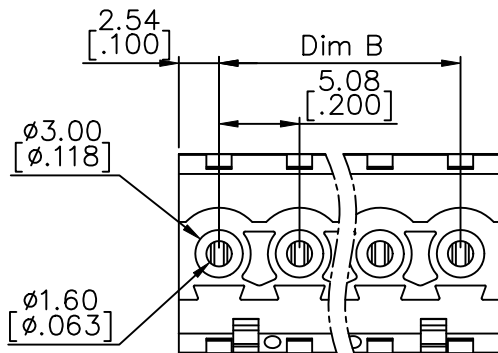
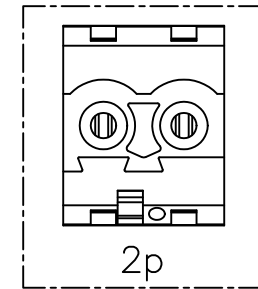
PRODUCT NUMBER	SERIES NAME	PITCH
20020010-HXXXXXXLF	02-508	5.08 mm

N = Number of poles
 Dim A = $N \times 5.08$ [.200]
 Dim B = $(N-1) \times 5.08$ [.200]

POLES	TOLERANCE
2-6p	±0.15 [.006]
7-12p	±0.25 [.010]
13-18p	±0.30 [.012]
19-24p	±0.40 [.016]



SECTION P-P



mat'l. code		surface ASME Y14.5 ✓	tolerance ASME Y14.5	projection [Symbol]	product family TERMINAL BLOCK
ltr	ecn no	dr	date	title TERMINAL BLOCK PLUGGABLE PLUG, BACK SIDE HOOK	
F				angles X°±1'	scale MM [INCH]
				tolerances unless otherwise specified	
				X.X±0.5	dwg no 20020010
				X.X±0.3	sheet 5 of 5 size A4
				X.XX±0.1	type CUSTOMER Drawing
		dr	JASON HSU	120909	
		enr	JASON HSU	120909	
		chr	GARY HSIEH	120909	
		appd	JOSEPH HSIA	120909	
sheet index	revision sheet				