



Chipsmall Limited consists of a professional team with an average of over 10 year of expertise in the distribution of electronic components. Based in Hongkong, we have already established firm and mutual-benefit business relationships with customers from,Europe,America and south Asia,supplying obsolete and hard-to-find components to meet their specific needs.

With the principle of “Quality Parts,Customers Priority,Honest Operation,and Considerate Service”,our business mainly focus on the distribution of electronic components. Line cards we deal with include Microchip,ALPS,ROHM,Xilinx,Pulse,ON,Everlight and Freescale. Main products comprise IC,Modules,Potentiometer,IC Socket,Relay,Connector.Our parts cover such applications as commercial,industrial, and automotives areas.

We are looking forward to setting up business relationship with you and hope to provide you with the best service and solution. Let us make a better world for our industry!



Contact us

Tel: +86-755-8981 8866 Fax: +86-755-8427 6832

Email & Skype: info@chipsmall.com Web: www.chipsmall.com

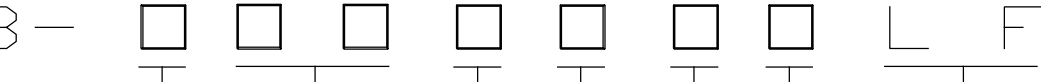
Address: A1208, Overseas Decoration Building, #122 Zhenhua RD., Futian, Shenzhen, China





PRODUCT NUMBER
20020008-XXXXXXLF

20020008



PITCH

POLES

C: 3.50 mm
D: 3.81 mm
G: 5.00 mm
H: 5.08 mm

02: 2 POLES
03: 3 POLES
04: 4 POLES

24: 24 POLES

LF: DENOTED RoHS COMPATIBLE

1 : STANDARD PRODUCT
W/ BOX PACKING

PRINTING CODE	POSITION	MARKING
0	NONE	NONE
3	SIDE4,3,2,1
5	SIDEC,B,A,-,+

PROPERTY TABLE						
FCI SERIES NAME		02-350	02-381	02-500	02-508	
PITCH (mm)		3.50	3.81	5.00	5.08	
VOLTAGE RATING (VAC)		300	300	300	300	
CURRENT RATING (A)	cULus	8	8	12	12	
	VDE	10	10	NA	NA	
APPLICABLE WIRE RANGE (AWG)	1-WIRE	16~28	16~28	12~24	12~24	
	2-WIRE	20	20	18	18	
WIRE CROSS SECTION (mm ²)	SOLID	1-WIRE	1.5	1.5	2.5	2.5
		2-WIRE	0.5	0.5	1.0	1.0
	STRANDED	1-WIRE	1.5	1.5	2.5	2.5
		2-WIRE	0.75	0.75	1.5	1.5
OPENING CONTACT HOUSING(mm ²)		2.8x1.7	2.8x1.7	2.6x3.2	2.6x3.2	
WIRE STRIP LENGTH(mm)		6~7	6~7	6~7	6~7	
TORQUE +/-10% (N-m/Lb-in)		0.19/1.7	0.19/1.7	0.4/3.5	0.4/3.5	
SCREW		M2x0.4	M2x0.4	M3x0.5	M3x0.5	
WITHSTANDING VOLTAGE (kV)	cULus	1.6	1.6	1.6	1.6	
	VDE	2.5	2.5	NA	NA	
OPERATING TEMP. (°C)		-40~+115	-40~+115	-40~+115	-40~+115	
POLES AVAILABLE		02~24	02~24	02~24	02~24	
SAFETY CERTIFICATE						

HOUSING CODE

CODE	COLOR	AVAILABILITY
1	GREEN(RAL 6018/T)	STANDARD
2	BLACK	ON REQUEST ONLY
3	GREY(RAL 7004/P)	ON REQUEST ONLY
4	BLUE(RAL 5015/A)	ON REQUEST ONLY
5	YELLOW	ON REQUEST ONLY

SCREW CODE

CODE	SCREW TYPE	AVAILABILITY
A	-/+	ON REQUEST ONLY
B	-	STANDARD

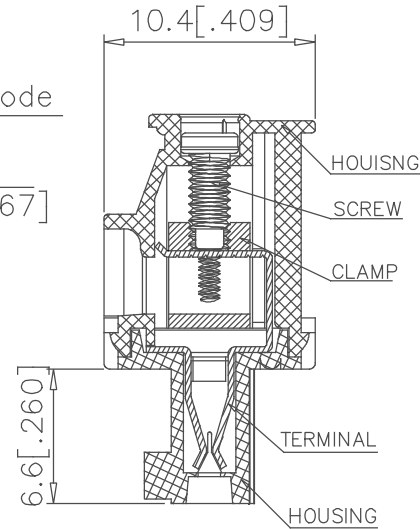
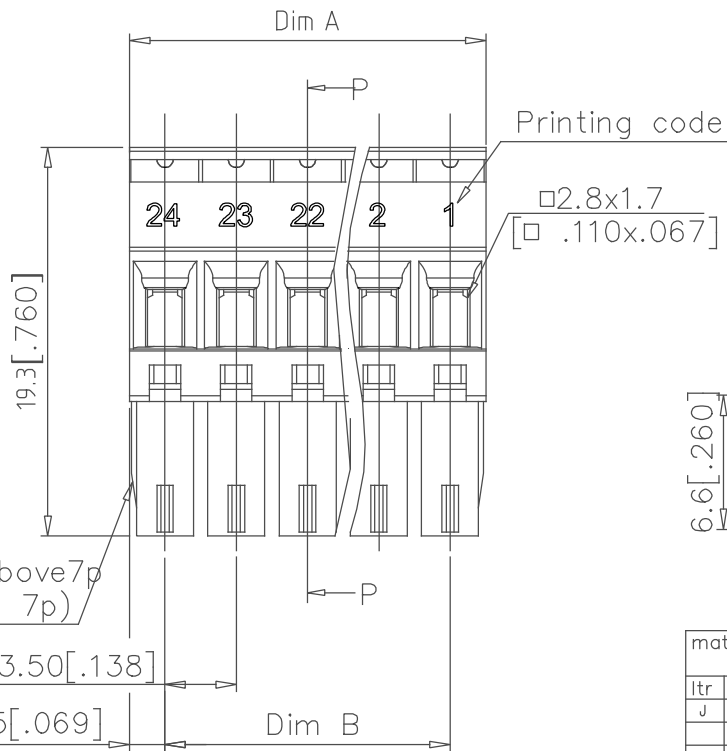
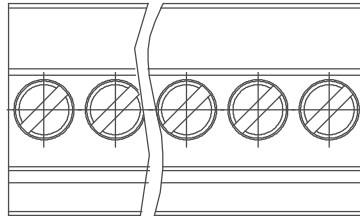
NOTES:

- MATERIALS
1-1 HOUSING: THERMALPLASTIC RESIN, UL 94V-0 RATED,
1-2 SCREW: STEEL, ZINC PLATED.
1-3 CLAMP: COPPER ALLOY, NICKEL PLATED.
1-4 TERMINAL: COPPER ALLOY, TIN PLATED.
- PRODUCT SPECIFICATION REFER TO FCI GS-12-625.
- PRODUCT PACKING SPECIFICATION REFER TO FCI GS-14-1394.
- FCI, SAFETY CERTIFICATE LOGO AND SERIES NAME TO BE SHOWN ON PRODUCT SURFACE.
- THE PRODUCTS WHERE THE PART NUMBER END IN "LF" MEET THE EUROPEAN UNION DIRECTIVE AND OTHER COUNTRY REGULATIONS AS DESCRIBED IN GS-22-008.

mat'l. code		surface	tolerance	projection	product family
		ASME Y14.5	ASME Y14.5		TERMINAL BLOCK
ltr	ecn no	dr	date	title	
D	T10-0042	WL	030310	TERMINAL BLOCK	
E	T10-0082	WL	080510	Pluggable plug, hook entry side	
F	T10-0172	WL	102010		
G	T11-0013	WL	040811		
H	T-004746	WL	072011		
J	T-012872	LS	091912		
		appr	JOSEPH HSIA		
sheet index		revision sheet	J 1	J 2	J 3
			J 4	J 5	



PRODUCT NUMBER	SERIES NAME	PITCH
20020008-CXXXXXLF	02-350	3.50 mm



SECTION P-P

N= NUMBER OF POLES
DIMENSION

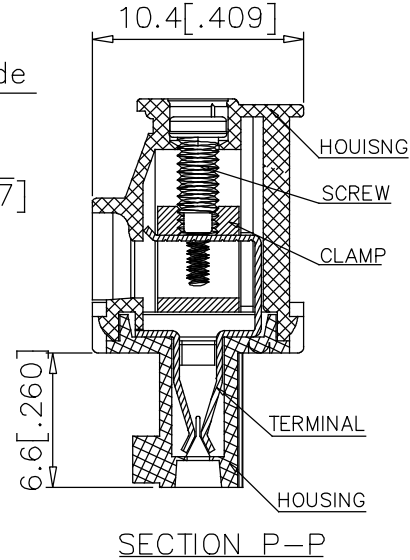
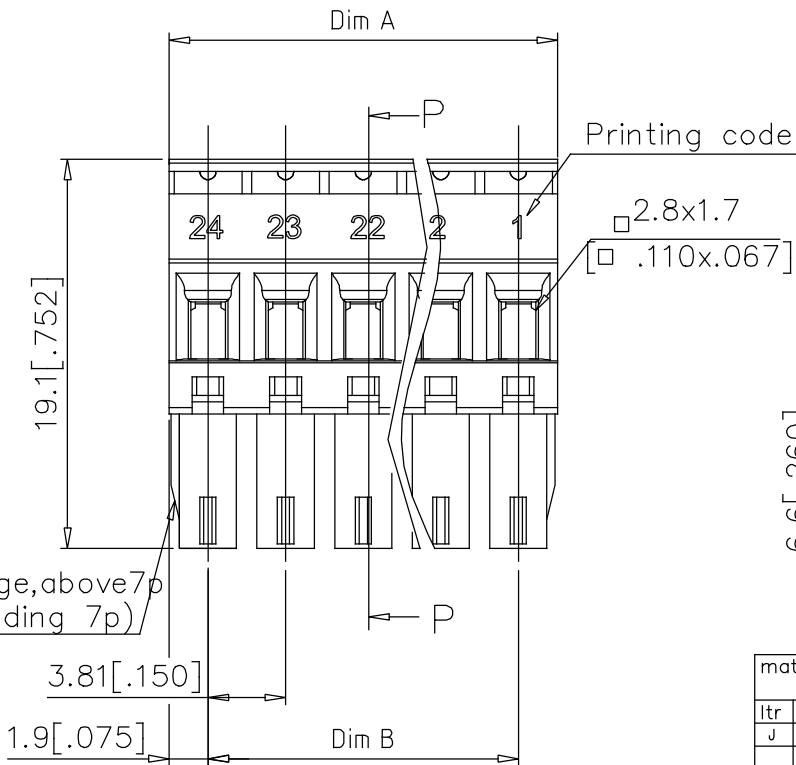
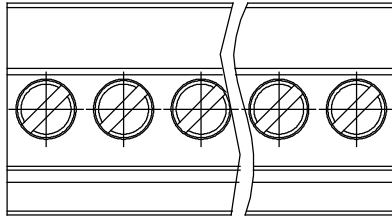
Dim A	N*3.5 [.138]
Dim B	(N-1)*3.5 [.138]

Poles	Tolerance
2P-6P	±0.15 [.006]
7P-12P	±0.20 [.008]
13P-18P	±0.25 [.010]
19P-24P	±0.30 [.012]

mat'l. code	surface ASME Y14.5 ✓	tolerance ASME Y14.5	projection	product family	TERMINAL BLOCK
ltr	ecn no	dr	date	title	TERMINAL BLOCK PLUGABLE, PLUG, SIGNAL, ENTRYSIDE HOOK
J				scale	MM INCH
				dwg no	20020008
				sheet	2 of 5
				size	A4
				type	CUSTOMER Drawing
sheet index	revision sheet				



PRODUCT NUMBER	SERIES NAME	PITCH
20020008-DXXXXXLF	02-381	3.81 mm



N= NUMBER OF POLES
DIMENSION

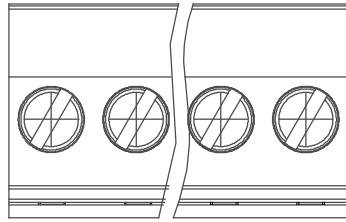
Dim A	$N \times 3.81 [.150]$
Dim B	$(N-1) \times 3.81 [.150]$

Poles	Tolerance
2P-6P	$\pm 0.15 [.006]$
7P-12P	$\pm 0.20 [.008]$
13P-18P	$\pm 0.25 [.010]$
19P-24P	$\pm 0.30 [.012]$

mat'l. code	surface ASME Y14.5	tolerance ASME Y14.5	projection	product family
ltr	ecn no	dr	date	TERMINAL BLOCK
J				title
				TERMINAL BLOCK PLUGABLE, PLUG, SIGNAL, ENTRYSIDE HOOK
				scale
				MM [INCH]
				dwg no
				20020008
				sheet 3 of 5
				size A4
				type
				CUSTOMER Drawing
sheet index	revision sheet			



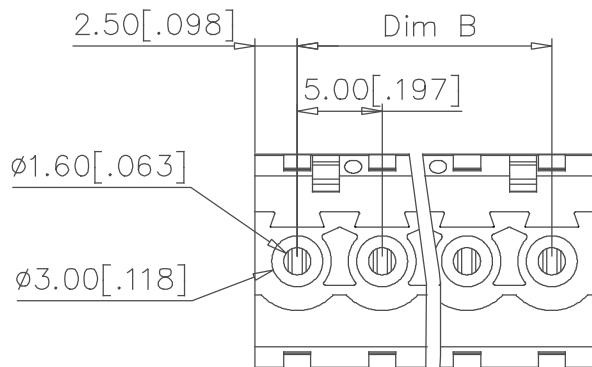
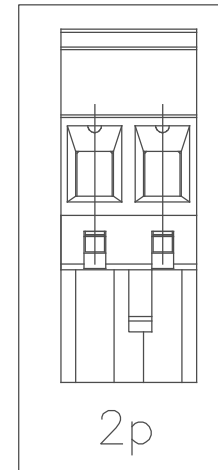
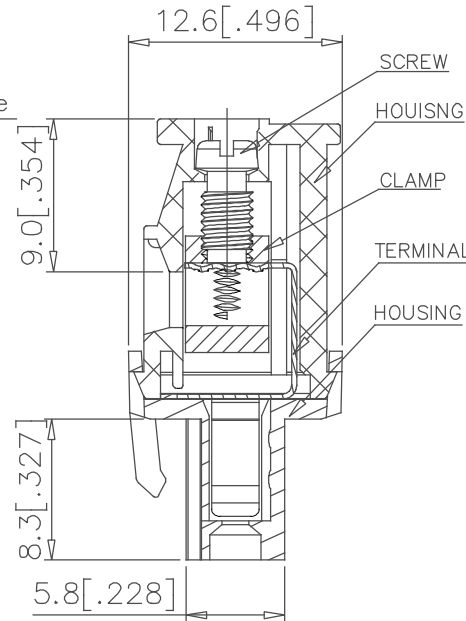
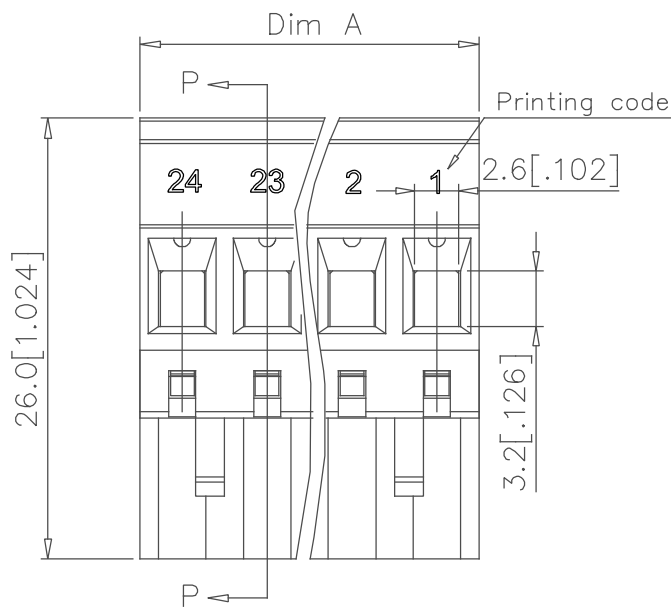
PRODUCT NUMBER	SERIES NAME	PITCH
20020008-GXXXXXLF	02-500	5.00 mm



N= NUMBER OF POLES
DIMENSION

Dim A	$N \times 5.0 [.197]$
Bim B	$(N-1) \times 5.0 [.197]$

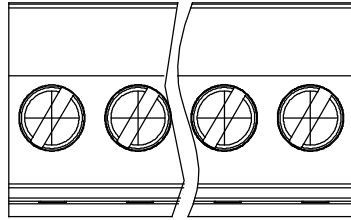
Poles	Tolerance
2P-6P	$\pm 0.15 [.006]$
7P-12P	$\pm 0.25 [.010]$
13P-18P	$\pm 0.30 [.012]$
19P-24P	$\pm 0.40 [.016]$



SECTION P-P

mat'l. code	surface ASME Y14.5	tolerance ASME Y14.5	projection MM INCH	product family TERMINAL BLOCK			
ltr	ecn	no	dr	date	tolerances unless otherwise specified	title	
J					X. $\pm 0.5 [.020]$ X.X $\pm 0.3 [.012]$ X'.XX $\pm 0.1 [.004]$	TERMINAL BLOCK PLUGABLE, PLUG, SIGNAL, ENTRYSIDE HOOK	
			dr	BEER FU	062509	scale	
			enr	BEER FU	062509	FCI	
			chr	GARY HSIEH	062509	dwg no	
			appd	JOSEPH HSIA	062509	sheet 4 of 5 size	
						20020008	
						A4	
sheet index	revision sheet					type	CUSTOMER Drawing

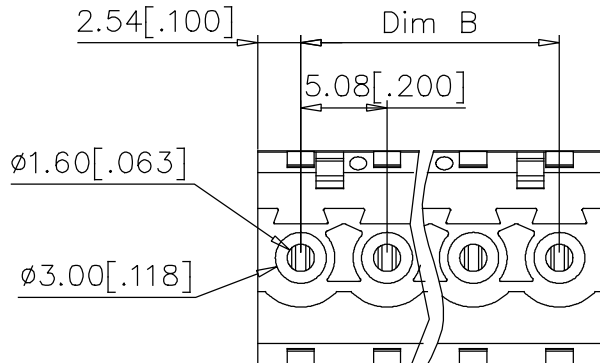
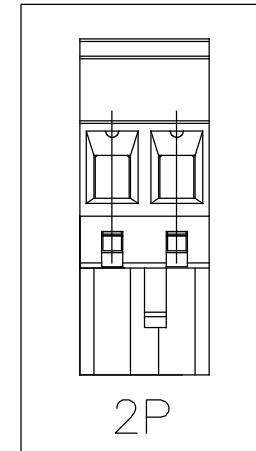
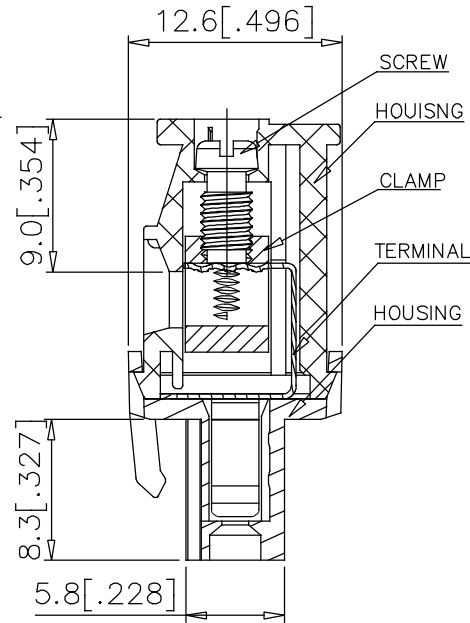
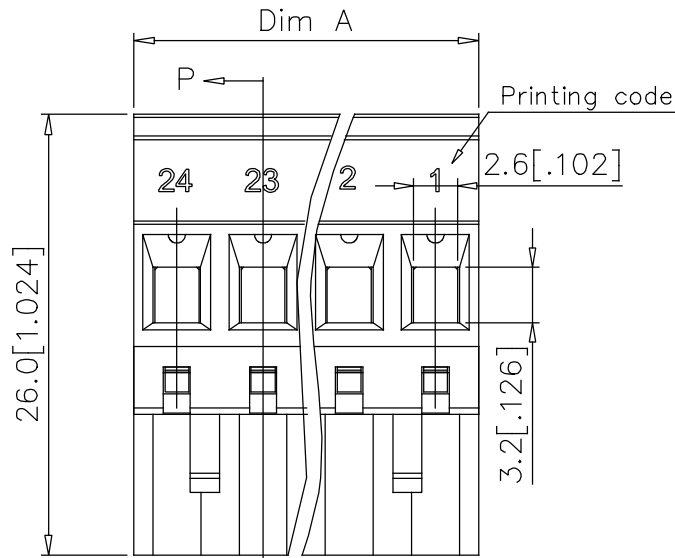
PRODUCT NUMBER	SERIES NAME	PITCH
20020008-HXXXXXLF	02-508	5.08 mm



N= NUMBER OF POLES
DIMENSION

Dim A	$N \times 5.08 [.200]$
Dim B	$(N-1) \times 5.08 [.200]$

Poles	Tolerance
2P-6P	$\pm 0.15 [.006]$
7P-12P	$\pm 0.25 [.010]$
13P-18P	$\pm 0.30 [.012]$
19P-24P	$\pm 0.40 [.016]$



SECTION P-P

mat'l. code	surface ASME Y14.5	tolerance ASME Y14.5	projection MM [INCH]	product family TERMINAL BLOCK		
ltr	ecn	no	dr	date	tolerances unless otherwise specified	title
J					X. $\pm 0.5 [.020]$ X.X $\pm 0.3 [.012]$ X.XX $\pm 0.1 [.004]$	TERMINAL BLOCK PLUGABLE, PLUG, SIGNAL, ENTRYSIDE HOOK
					dr BEER FU 062509	dwg no 20020008
					enr BEER FU 062509	sheet 5 of 5 size A4
					chr GARY HSIEH 062509	type CUSTOMER Drawing
					appd JOSEPH HSIA 062509	
sheet index	revision sheet					

