



Chipsmall Limited consists of a professional team with an average of over 10 year of expertise in the distribution of electronic components. Based in Hongkong, we have already established firm and mutual-benefit business relationships with customers from,Europe,America and south Asia,supplying obsolete and hard-to-find components to meet their specific needs.

With the principle of “Quality Parts,Customers Priority,Honest Operation,and Considerate Service”,our business mainly focus on the distribution of electronic components. Line cards we deal with include Microchip,ALPS,ROHM,Xilinx,Pulse,ON,Everlight and Freescale. Main products comprise IC,Modules,Potentiometer,IC Socket,Relay,Connector.Our parts cover such applications as commercial,industrial, and automotives areas.

We are looking forward to setting up business relationship with you and hope to provide you with the best service and solution. Let us make a better world for our industry!



Contact us

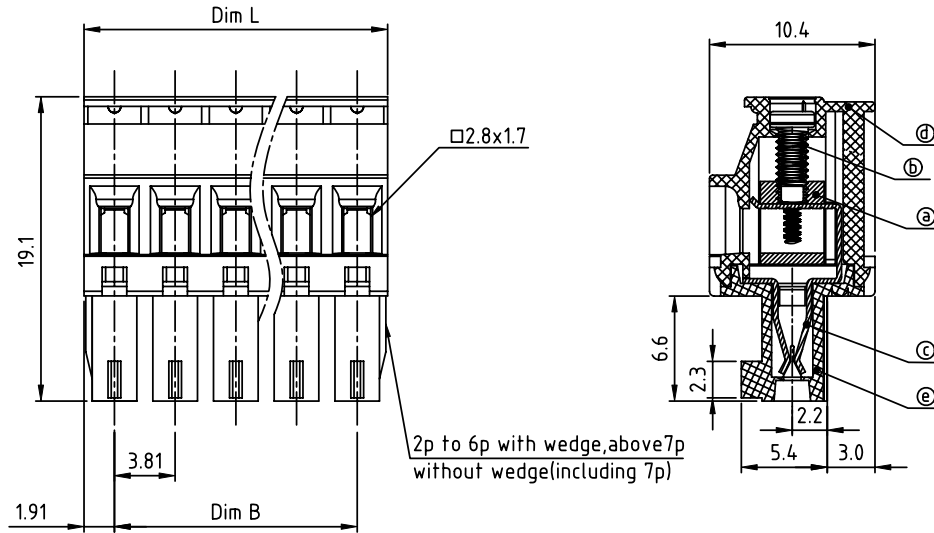
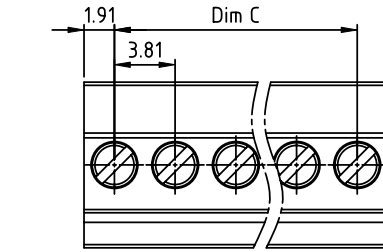
Tel: +86-755-8981 8866 Fax: +86-755-8427 6832

Email & Skype: info@chipsmall.com Web: www.chipsmall.com

Address: A1208, Overseas Decoration Building, #122 Zhenhua RD., Futian, Shenzhen, China



PRODUCT NUMBER	PITCH
TSxx31xA00J0G	3.81 mm



Material:

- ItemⒶ Clamp: Brass(CuZn), Nickel plated
- ItemⒷ Terminal screw: Steel Zinc plating "-" slot type
- ItemⒸ Female contact: PhBz, Tin plated
- ItemⒹ Top body: Thermoplastic (UL94V-0)
- ItemⒺ Bottom body: Thermoplastic (UL94V-0)

Electrical cULus/VDE

- Voltage rating: 300VAC/300VAC
- Current rating: 8A/10A
- Wire range: 1.5mm²
- Solid wire(AWG): 16-28
- Stranded wire(AWG): 16-28
- Torque: 1.7Lb-In./0.2Nm
- Screw: M2
- Wire strip length: 6-7mm
- Withstanding Voltage: 1.6KV/2.5KV
- Operating temperature: -40°C to +115°C
- Safety approval:

DIMENSION
N = Number of poles

Dim L	NX3.81
Dim B	(N-1)X3.81
Dim C	(N-1)X3.81
Poles	Tolerance
2p-6p	±0.15
7p-12p	±0.20
13p-16p	±0.25
17p-24p	±0.30

PART NO.: TS xx 31 x A 00J0 G

Solid block	0	Black (RAL9005)	RoHS compliant (lead<4%) In copper Alloy
No. of poles	2	Red (RAL3001/D)	
02 2 poles	3	Orange(RAL2011/P)	
03 3 poles	4	Yellow(RAL1018/A)	
...	5	Green(RAL6018/T)	
24 24 poles	6	Blue (RAL5015/A)	
	8	Grey(RAL7035/D)	
	9	White(RAL1102)	
	C	Green(RAL6018/U)	

mat'l. code		surface ASME Y14.5	tolerance ASME Y14.5	projection 	product family TERMINAL BLOCK
ltr	ecn no	dr	date		title TERMINAL BLOCK
				tolerances unless otherwise specified	PLUGGABLE PLUG,HOOK ON ENTRY SIDE,WITHOUT FLANGE
				angles 	scale MM
				X±0.5	dwg no sheet 1 of 1 size
				X.X±0.3	TSxx31xA00J0G A4
				X'±1"	X.XX±0.1
				dr	EVIN ZHONG 041914
				enrg	EVIN ZHONG 041914
				chr	HANKE FENG 041914
				appd	SHI JUN 041914
sheet index	revision	A			type CUSTOMER Drawing
	sheet	1			