



Chipsmall Limited consists of a professional team with an average of over 10 year of expertise in the distribution of electronic components. Based in Hongkong, we have already established firm and mutual-benefit business relationships with customers from,Europe,America and south Asia,supplying obsolete and hard-to-find components to meet their specific needs.

With the principle of “Quality Parts,Customers Priority,Honest Operation,and Considerate Service”,our business mainly focus on the distribution of electronic components. Line cards we deal with include Microchip,ALPS,ROHM,Xilinx,Pulse,ON,Everlight and Freescale. Main products comprise IC,Modules,Potentiometer,IC Socket,Relay,Connector.Our parts cover such applications as commercial,industrial, and automotives areas.

We are looking forward to setting up business relationship with you and hope to provide you with the best service and solution. Let us make a better world for our industry!



Contact us

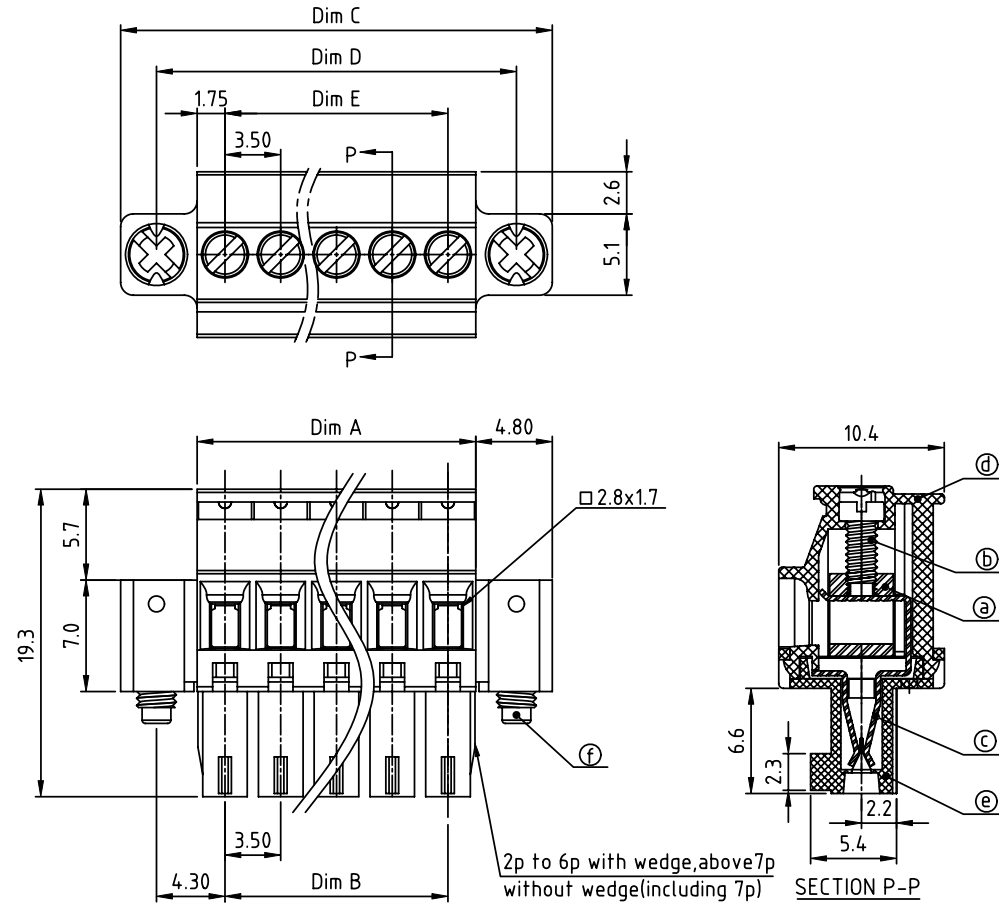
Tel: +86-755-8981 8866 Fax: +86-755-8427 6832

Email & Skype: info@chipsmall.com Web: www.chipsmall.com

Address: A1208, Overseas Decoration Building, #122 Zhenhua RD., Futian, Shenzhen, China



PRODUCT NUMBER	PITCH
TSxx11xC00J0G	3.50 mm



Material

- Item (a) Clamp: Brass (CuZn), Ni plated
- Item (b) Terminal screw: Steel Zinc plating "-" slot type
- Item (c) Female contact: PhBz, Tin plated
- Item (d) Top body: Thermoplastic (UL94V-0)
- Item (e) Bottom body: Thermoplastic (UL94V-0)
- Item (f) With flange screw: Steel M2.5 Zinc plating "+/-" combination type

Electrical cULus VDE

- Voltage rating: 300VAC / 300VAC
- Current rating: 8A / 10A
- Wire range:
 - Solid wire (AWG): 16-28
 - Stranded wire (AWG): 16-28
- Torque: 1.7Lb-In / 0.2N.m
- Screw: M2
- Wire strip length: 6-7mm
- Withstanding Voltage: 1.6KV / 2.5KV
- Operating temperature: -40°C to +115°C
- Safety approval:

PART NO.: TS xx 11 x C 00J0 G

DIMENSION

Dim A	NX3.5
Dim B	(N-1)X3.5
Dim C	NX3.5+9.6
Dim D	(N-1)X3.5+8.6
Dim E	(N-1)X3.5

N=Number of poles

Poles	Tolerance
2p-6p	±0.15
7p-12p	±0.20
13p-16p	±0.25
17p-24p	±0.30

Solid block	No. of poles	Color	RoHS compliant (lead<4%) In copper Alloy
0	2	Black (RAL9005)	
2	2	Red (RAL3001/D)	
02	2	Orange (RAL2011/P)	
03	3	Yellow (RAL1018/A)	
...	...	Green (RAL6018/T)	
24	24	Blue (RAL5015/A)	
		Grey (RAL7035/D)	
		White (RAL1102)	
		Green (RAL6018/U)	

mat'l. code		surface ASME Y14.5 ✓	tolerance ASME Y14.5	projection	product family
ltr ecn no dr date		tolerances unless otherwise specified			TERMINAL BLOCK
		angles	X.±0.5	MM	title
		parallel	X.X±0.3		TERMINAL BLOCK
		X'±1"	X.XX±0.1	scale	PLUGGABLE PLUG, HOOK ON ENTRY SIDE, WITH FLANGE
		dr	EVIN ZHONG 041814		dwg no
		enr	EVIN ZHONG 041814		sheet 1 of 1 size
		chr	HANKE FENG 041814		TSxx11xC00J0G
		appd	SHI JUN 041814		A4
sheet index	revision sheet	A	1		type CUSTOMER Drawing