



Chipsmall Limited consists of a professional team with an average of over 10 year of expertise in the distribution of electronic components. Based in Hongkong, we have already established firm and mutual-benefit business relationships with customers from,Europe,America and south Asia,supplying obsolete and hard-to-find components to meet their specific needs.

With the principle of "Quality Parts,Customers Priority,Honest Operation,and Considerate Service",our business mainly focus on the distribution of electronic components. Line cards we deal with include Microchip,ALPS,ROHM,Xilinx,Pulse,ON,Everlight and Freescale. Main products comprise IC,Modules,Potentiometer,IC Socket,Relay,Connector.Our parts cover such applications as commercial,industrial, and automotives areas.

We are looking forward to setting up business relationship with you and hope to provide you with the best service and solution. Let us make a better world for our industry!



Contact us

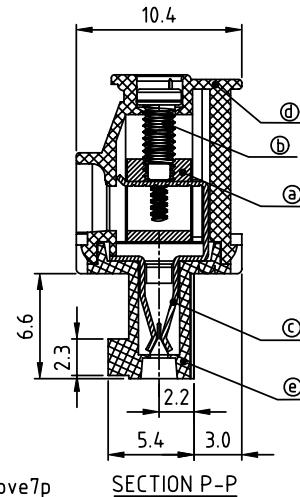
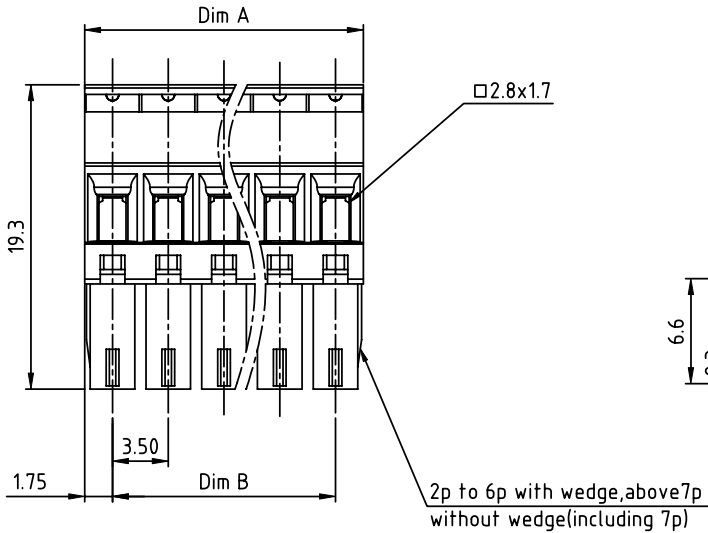
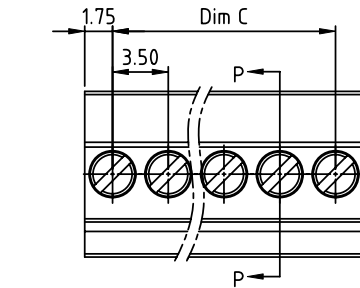
Tel: +86-755-8981 8866 Fax: +86-755-8427 6832

Email & Skype: info@chipsmall.com Web: www.chipsmall.com

Address: A1208, Overseas Decoration Building, #122 Zhenhua RD., Futian, Shenzhen, China



PRODUCT NUMBER	PITCH
TSxx11xA00J0G	3.50 mm



Material

- Item a Terminal body (metal housing): Brass (CuZn), Nickel plated
- Item b Terminal screw: Steel Zinc plating "-" slot type
- Item c Wire guard: PhBz, Tin plated
- Item d Top body: Thermoplastic (UL94V-0)
- Item e Bottom body: Thermoplastic (UL94V-0)

Electrical cULus/VDE

- Voltage rating: 300VAC/300VAC
- Current rating: 8A/10A
- Wire range: 1.5mm²
- Solid wire (AWG): 16-28
- Stranded wire (AWG): 16-28
- Torque: 1.7Lb-In./0.2Nm
- Screw: M2
- Wire strip length: 6-7mm
- Withstanding Voltage: 1.6KV/2.5KV
- Operating temperature: -40°C to +115°C
- Safety approval:

DIMENSION

Dim A	NX3.5
Dim B	(N-1)X3.5
Dim C	(N-1)X3.5

N = Number of poles

Poles	Tolerance
2P-8P	±0.10
9P-16P	±0.20
17P-24P	±0.30

PART NO.: TS xx 11 x A 00J0 G

- Solid block 0 Black (RAL9005)
 - No. of poles 2 Red (RAL3001/D)
 - 02 2 poles 3 Orange (RAL2011/P)
 - 03 3 poles 4 Yellow (RAL1018/A)
 - 5 Green (RAL6018/T)
 - 24 24 poles 6 Blue (RAL5015/A)
 - 8 Grey (RAL7035/D)
 - 9 White (RAL1102)
 - C Green (RAL6018/U)
- Color
RoHS compliant (lead < 4%)
In copper Alloy

mat'l. code		surface ASME Y14.5 ✓	tolerance ASME Y14.5	projection 	product family TERMINAL BLOCK
ltr ecn no dr date		tolerances unless otherwise specified		MM	title TERMINAL BLOCK
angles		X.±0.5	X.X±0.3	scale	PLUGGABLE PLUG, HOOK ON ENTRY SIDE, WITHOUT FLANGE
X*±1"		X.XX±0.1		scale	dwg no sheet 1 of 1 size
dr EVIN ZHONG 041814		enr EVIN ZHONG 041814		FCI TSxx11xA00J0G A4	
chr HANKE FENG 041814		appd SHI JUN 041814		type CUSTOMER Drawing	
sheet index	revision sheet	A	1		