



Chipsmall Limited consists of a professional team with an average of over 10 year of expertise in the distribution of electronic components. Based in Hongkong, we have already established firm and mutual-benefit business relationships with customers from,Europe,America and south Asia,supplying obsolete and hard-to-find components to meet their specific needs.

With the principle of "Quality Parts,Customers Priority,Honest Operation,and Considerate Service",our business mainly focus on the distribution of electronic components. Line cards we deal with include Microchip,ALPS,ROHM,Xilinx,Pulse,ON,Everlight and Freescale. Main products comprise IC,Modules,Potentiometer,IC Socket,Relay,Connector.Our parts cover such applications as commercial,industrial, and automotives areas.

We are looking forward to setting up business relationship with you and hope to provide you with the best service and solution. Let us make a better world for our industry!



## Contact us

Tel: +86-755-8981 8866 Fax: +86-755-8427 6832

Email & Skype: info@chipsmall.com Web: www.chipsmall.com

Address: A1208, Overseas Decoration Building, #122 Zhenhua RD., Futian, Shenzhen, China



PRODUCT NUMBER  
20020011-XXXXXXLF

20020011 — □ □ □ □ □ 0 □ L F

PITCH  
C: 3.50 mm  
D: 3.81 mm  
G: 5.00 mm  
H: 5.08 mm

POLES  
02: 2 POLES  
03: 3 POLES  
04: 4 POLES  
:  
:  
:  
24: 24 POLES

LF : NOTED RoHS COMPATIBLE

1 : STANDARD PRODUCT  
W/ BOX PACKING

PROPERTY TABLE							
FCI SERIES NAME		02-350	02-381	02-500	02-508		
PITCH (mm)		3.50	3.81	5.00	5.08		
VOLTAGE RATING (VAC)		300	300	300	300		
CURRENT RATING (A)		cULus	8	8	12		
		VDE	10	10	NA		
APPLICABLE WIRE RANGE (AWG)		1-WIRE	16~28	16~28	12~24		
		2-WIRE	20	20	18		
WIRE CROSS SECTION (mm <sup>2</sup> )		SOLID	1-WIRE	1.5	1.5	2.5	2.5
			2-WIRE	0.5	0.5	1.0	1.0
		STRANDED	1-WIRE	1.5	1.5	2.5	2.5
			2-WIRE	0.75	0.75	1.5	1.5
OPENING CONTACT HOUSING(mm <sup>2</sup> )		2.8x1.7	2.8x1.7	2.6x3.3	2.6x3.3		
WIRE STRIP LENGTH(mm)		6~7	6~7	6~7	6~7		
TORQUE +/-10% (N-m/Lb-in)		0.19/1.7	0.19/1.7	0.4/3.5	0.4/3.5		
WITHSTANDING VOLTAGE (kV)		SCREW	M2x0.4	M2x0.4	M3x0.5	M3x0.5	
		cULus	1.6	1.6	1.6	1.6	
		VDE	2.5	2.5	NA	NA	
OPERATING TEMP. (°C)		-40~+115	-40~+115	-40~+115	-40~+115		
POLES AVAILABLE		02~24	02~24	02~24	02~24		
SAFETY CERTIFICATE							

SCREW CODE

CODE	SCREW TYPE	AVAILABILITY
A	-/+	ON REQUEST ONLY
B	-	STANDARD

ALL FLANGE SCREWS ARE ONLY AVAILABLE IN +/- COMBINATION SCREW TYPES.

HOUSING CODE

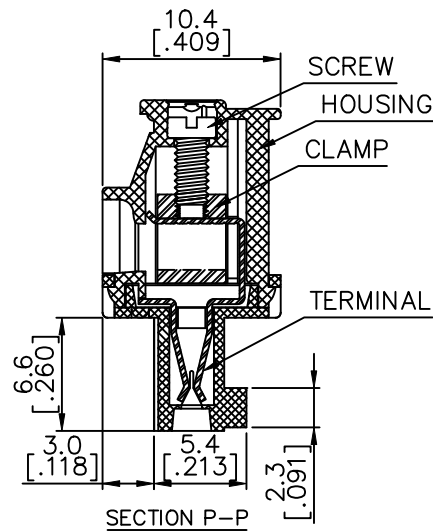
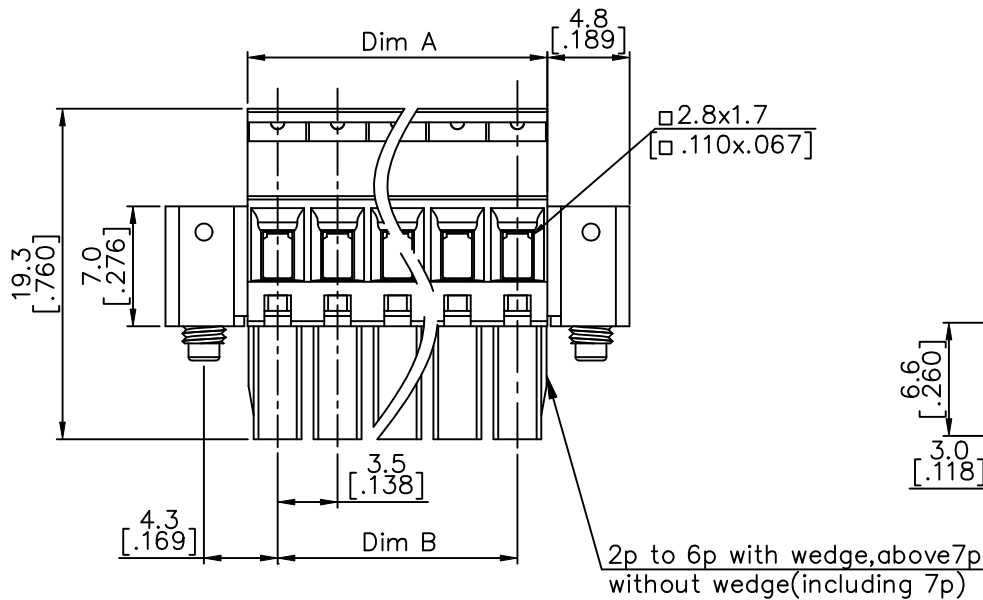
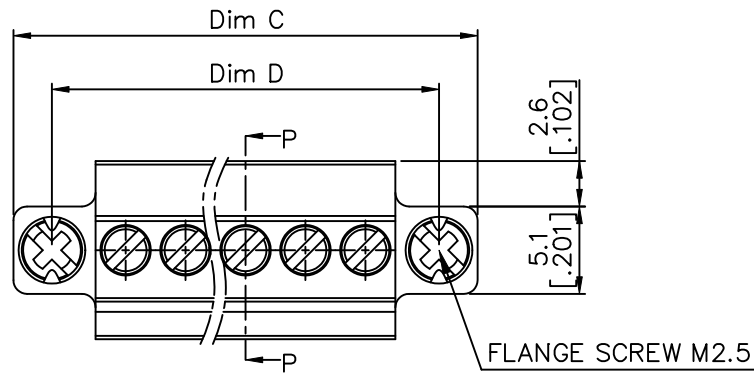
CODE	COLOR	AVAILABILITY
1	GREEN(RAL 6018/T)	STANDARD
2	BLACK	ON REQUEST ONLY
3	GREY(RAL 7004/P)	ON REQUEST ONLY
4	BLUE(RAL 5015/A)	ON REQUEST ONLY

NOTES:

- MATERIALS  
1-1 HOUSING: THERMALPLASTIC RESIN, UL 94V-0 RATED.  
1-2 SCREW: STEEL, ZINC PLATED.  
1-3 CLAMP: COPPER ALLOY, NICKEL PLATED.  
1-4 TERMINAL: COPPER ALLOY, TIN PLATED.
- PRODUCT SPECIFICATION REFER TO FCI GS-12-625.
- PRODUCT PACKING SPECIFICATION REFER TO FCI GS-14-1394.
- FCI, SAFETY CERTIFICATE LOGO AND SERIES NAME TO BE SHOWN ON PRODUCT SURFACE.
- THE PRODUCTS WHERE THE PART NUMBER END IN "LF" MEET THE EUROPEAN UNION DIRECTIVE AND OTHER COUNTRY REGULATIONS AS DESCRIBED IN GS-22-008.

mat'l. code		surface	tolerance	projection	product family
		ASME Y14.5 ✓	ASME Y14.5		TERMINAL BLOCK
ltr	ecn no	dr	date	tolerances unless otherwise specified	title
A	T10-0082	WL	080510	angles to line X.±0.5	TERMINAL BLOCK
B	T10-0140	WL	090310	X.X±0.3	PLUGGABLE PLUG, BACK SIDE HOOK, W/FLANGE
C	T10-0158	WL	100410	X'±1"	X.XX±0.1
D	T11-0013	WL	040811	dr	WENDY CHEN 051810
E	T-005908	WL	091311	enr	JASON HSU 051810
				chr	GARY HSIEH 051810
				appd	JOSEPH HSIA 051810
sheet index	revision	E	E	E	E
	sheet	1	2	3	4
FCI logo					type CUSTOMER Drawing
dwg no 20020011					sheet 1 of 5 size A4

PRODUCT NUMBER	SERIES NAME	PITCH
20020011-CXXXXXXLF	02-350	3.50 mm



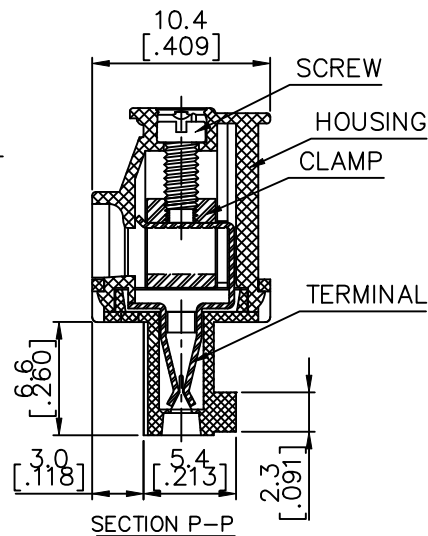
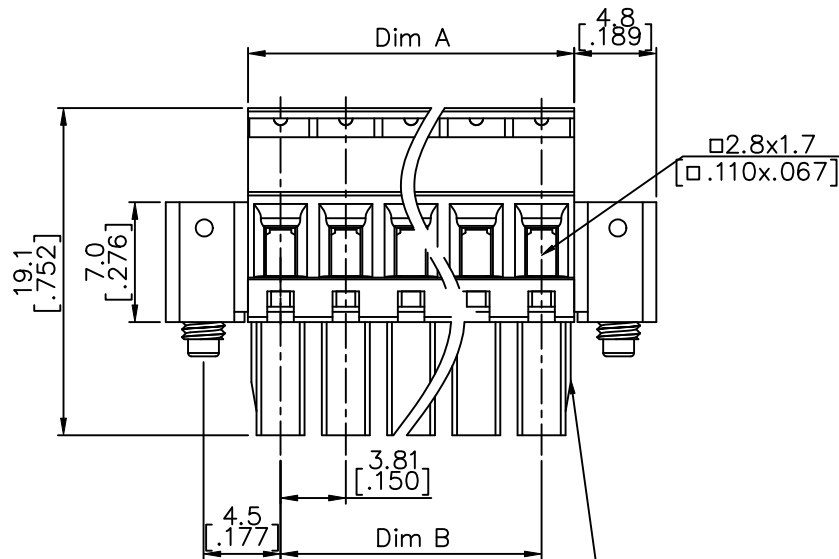
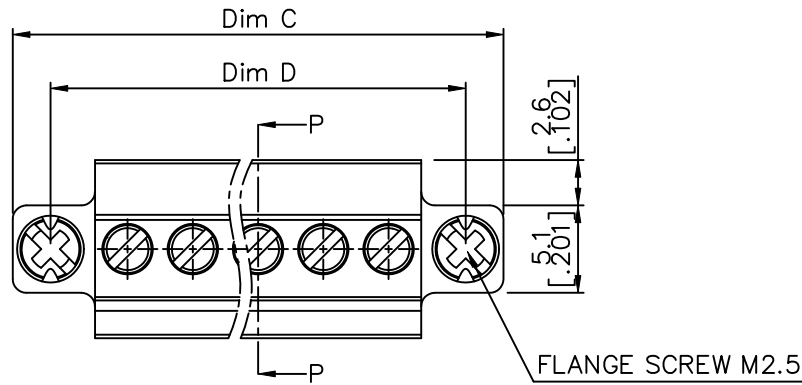
N = Number of poles

Dim A	NX3.5 [.138]
Dim B	(N-1)X3.5 [.138]
Dim C	NX3.5 [.138]+9.6 [.378]
Dim D	(N-1)X3.5 [.138]+8.6 [.339]

poles	Tolerance
2-4p	±0.10 [.004]
5-7p	±0.15 [.006]
8-12p	±0.20 [.008]
13-18p	±0.25 [.010]
19-24p	±0.30 [.012]

mat'l. code	surface ASME Y14.5 ✓	tolerance ASME Y14.5	projection	product family	TERMINAL BLOCK	
ltr	ecn no	dr	date	title		
E				TERMINAL BLOCK PLUGGABLE PLUG, BACK SIDE HOOK, W/FLANGE		
	angles	line	total	MM		
	X°±1'			[INCH]		
				scale		
	dr	WENDY CHEN	051810		sheet 2 of 5 size	
	enr	JASON HSU	051810		20020011	A4
	chr	GARY HSIEH	051810			CUSTOMER Drawing
	appd	JOSEPH HSIA	051810			
sheet index	revision sheet					

PRODUCT NUMBER	SERIES NAME	PITCH
20020011-DXXXXXXLF	02-381	3.81 mm



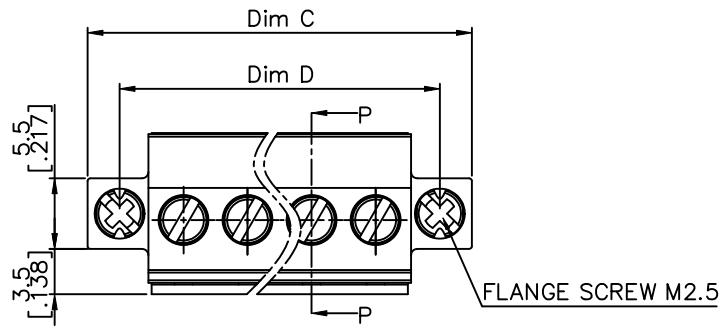
N = Number of poles

Dim A	$N \times 3.81 [.150]$
Dim B	$(N-1) \times 3.81 [.150]$
Dim C	$N \times 3.81 [.150] + 9.6 [.378]$
Dim D	$(N-1) \times 3.81 [.150] + 9.0 [.354]$

poles	Tolerance
2-6P	$\pm 0.15 [.006]$
7-12p	$\pm 0.20 [.008]$
13-17p	$\pm 0.25 [.010]$
18-24p	$\pm 0.30 [.012]$

mat'l. code	surface ASME Y14.5	tolerance ASME Y14.5	projection 	product family TERMINAL BLOCK
ltr	ecn no	dr	date	title TERMINAL BLOCK PLUGGABLE PLUG, BACK SIDE HOOK, W/FLANGE
E				sheet 3 of 5 size
				20020011 A4
				type CUSTOMER Drawing
sheet index	revision sheet			

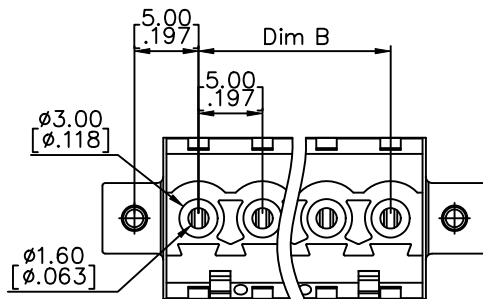
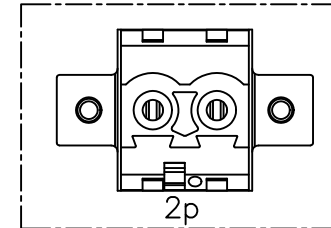
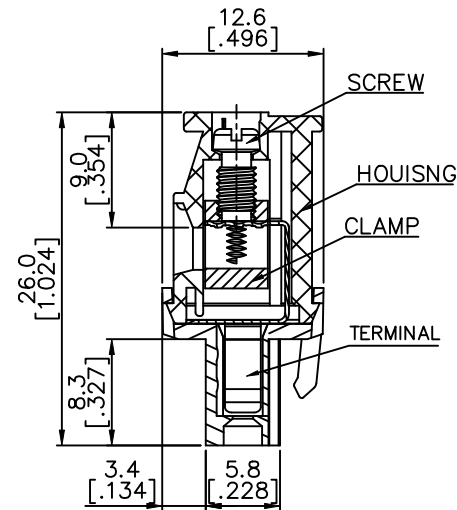
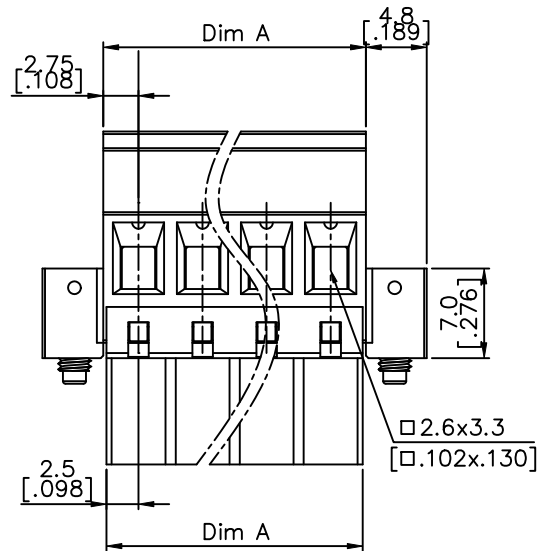
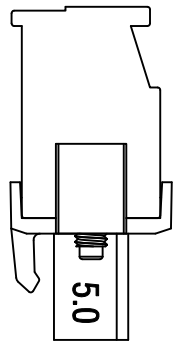
PRODUCT NUMBER	SERIES NAME	PITCH
20020011-GXXXXXXLF	02-500	5.00 mm



N = Number of poles

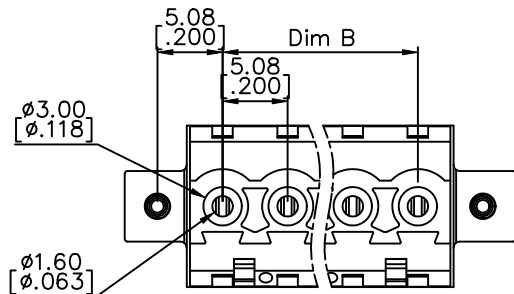
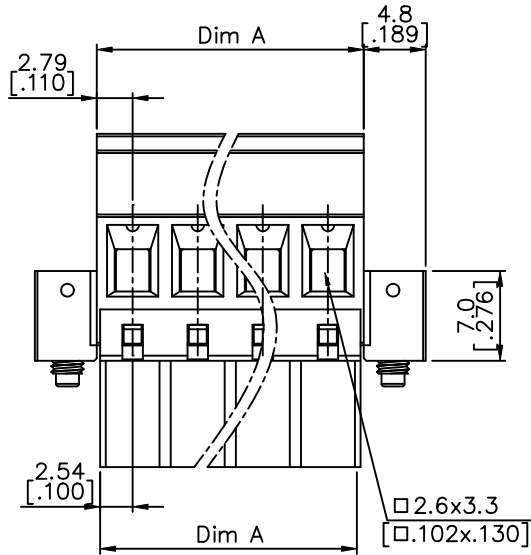
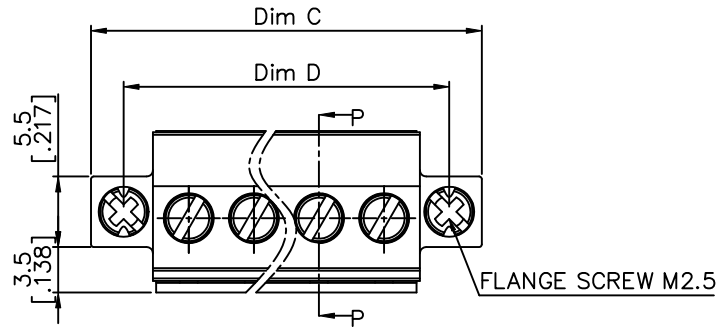
Dim A	$N \times 5.0 [.197] + 0.5 [.020]$
Dim B	$(N-1) \times 5.0 [.197]$
Dim C	$N \times 5.0 [.197] + 10.0 [.394]$
Dim D	$(N+1) \times 5.0 [.197]$

poles	Tolerance
2-6p	$\pm 0.15 [.006]$
7-12p	$\pm 0.20 [.008]$
13-18p	$\pm 0.30 [.012]$
19-24p	$\pm 0.40 [.016]$



mat'l. code	surface ASME Y14.5	tolerance ASME Y14.5	projection MM INCH	product family TERMINAL BLOCK
ltr	ecn no	dr	date	title TERMINAL BLOCK PLUGGABLE PLUG, BACK SIDE HOOK, W/FLANGE
E				sheet 4 of 5 size
	angles	metal	scale	FCI
	$X \pm 1$	$X.X \pm 0.1$		20020011 A4
	dr	WENDY CHEN	051810	type CUSTOMER Drawing
	enr	JASON HSU	051810	
	chr	GARY HSIEH	051810	
	appd	JOSEPH HSIA	051810	
sheet index	revision sheet			

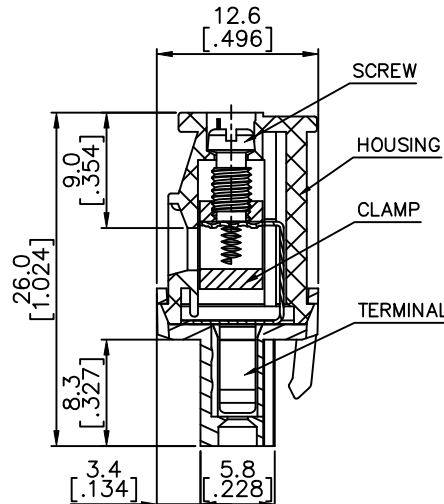
PRODUCT NUMBER	SERIES NAME	PITCH
20020011-HXXXXXLf	02-508	5.08 mm



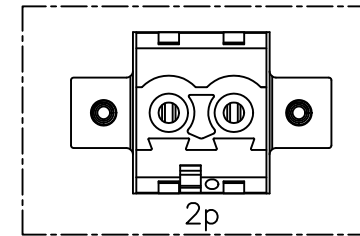
N = Number of poles

Dim A	$N \times 5.08 [0.200] + 0.5 [0.020]$
Dim B	$(N-1) \times 5.08 [0.200]$
Dim C	$N \times 5.08 [0.200] + 9.66 [0.380]$
Dim D	$(N+1) \times 5.08 [0.200]$

poles	Tolerance
2-6p	$\pm 0.15 [0.006]$
7-12p	$\pm 0.20 [0.008]$
13-18p	$\pm 0.30 [0.012]$
19-24p	$\pm 0.40 [0.016]$



SECTION P-P



mat'l. code	surface ASME Y14.5	tolerance ASME Y14.5	projection [Symbol]	product family TERMINAL BLOCK
ltr	ecn no	dr	date	title TERMINAL BLOCK PLUGGABLE PLUG, BACK SIDE HOOK, W/FLANGE
E				sheet 5 of 5 size
	angles	linear	scale	20020011 A4
	$X \pm 1^\circ$	$X.X \pm 0.1$	MM [INCH]	type CUSTOMER Drawing
	dr	WENDY CHEN	051810	
	enr	JASON HSU	051810	
	chr	GARY HSIEH	051810	
	appd	JOSEPH HSIA	051810	
sheet index	revision sheet			