



Chipsmall Limited consists of a professional team with an average of over 10 year of expertise in the distribution of electronic components. Based in Hongkong, we have already established firm and mutual-benefit business relationships with customers from,Europe,America and south Asia,supplying obsolete and hard-to-find components to meet their specific needs.

With the principle of "Quality Parts,Customers Priority,Honest Operation,and Considerate Service",our business mainly focus on the distribution of electronic components. Line cards we deal with include Microchip,ALPS,ROHM,Xilinx,Pulse,ON,Everlight and Freescale. Main products comprise IC,Modules,Potentiometer,IC Socket,Relay,Connector.Our parts cover such applications as commercial,industrial, and automotives areas.

We are looking forward to setting up business relationship with you and hope to provide you with the best service and solution. Let us make a better world for our industry!



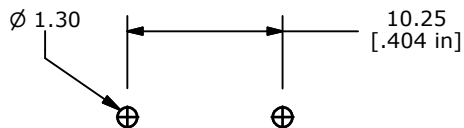
Contact us

Tel: +86-755-8981 8866 Fax: +86-755-8427 6832

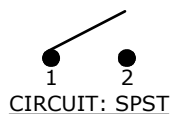
Email & Skype: info@chipsmall.com Web: www.chipsmall.com

Address: A1208, Overseas Decoration Building, #122 Zhenhua RD., Futian, Shenzhen, China





PCB PATTERN



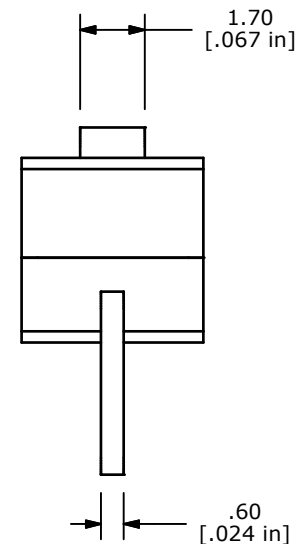
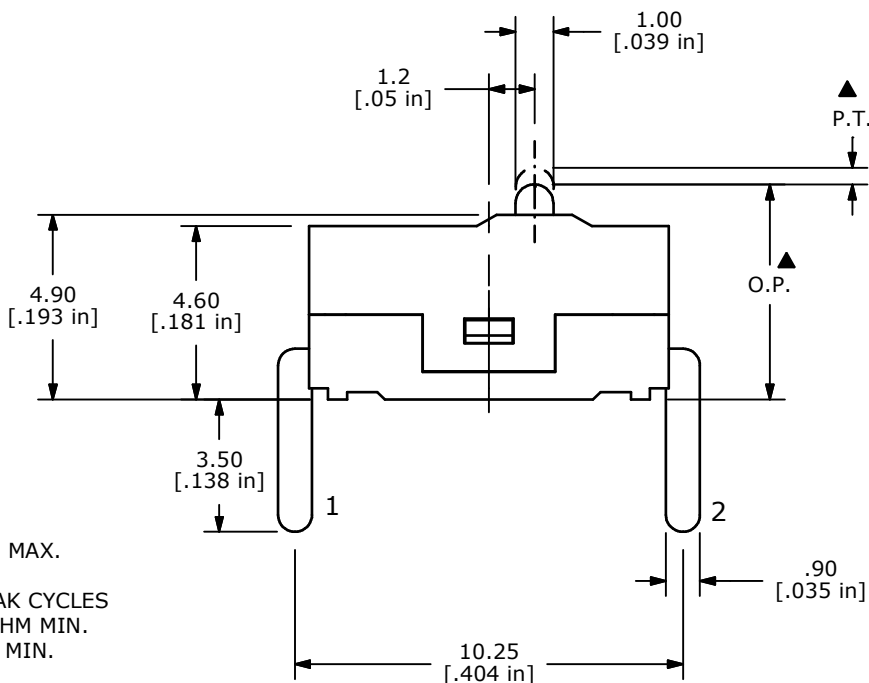
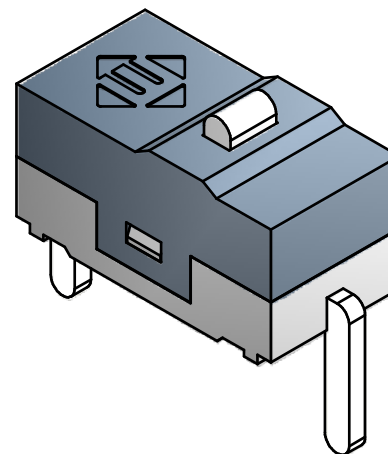
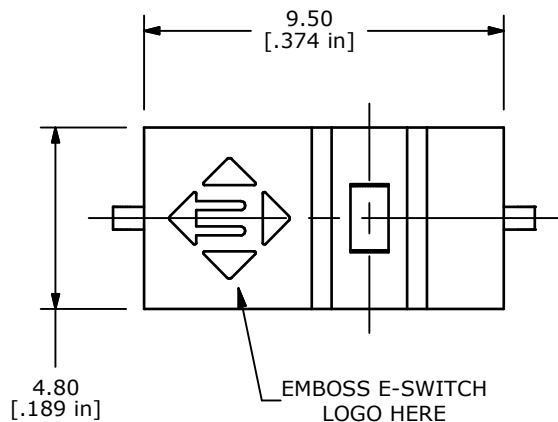
CIRCUIT: SPST

O.P. (MM)	P.T. (MM)
5.30 ±0.2	0.35

O.P. = OPERATING POINT
P.T. = PRE-TRAVEL

NOTE:

1. ALL DIMENSIONS IN MM [INCH]
2. GENERAL TOLERANCE: X.X=±0.4
X.XX=±0.25
3. TERMINAL NUMBERS FOR REF ONLY
4. PLATING MATERIAL: SILVER
- ▲ 5. RATING: 0.1A @125VAC or 48VDC
6. CONTACT RESISTANCE: 100 mille OHMS MAX.
7. MECHANICAL LIFE: 100,000 CYCLES
8. ELECTRIC LIFE: 30,000 MAKE-AND-BREAK CYCLES
9. INSULATION RESISTANCE: 100 MEGA-OHM MIN.
10. DIELECTRIC STRENGTH: 1,500 V FOR 1 MIN.
11. OPERATING TEMP.: -15°C to 55°C
12. OPERATING FORCE: 70±20gf
13. ▲ DENOTES CRITICAL PARAMETER.
14. 2002/95/EC (ROHS) COMPLIANT



B	18400	ADD DIMS FOR C-C SPACING	2/11/09	BLR
A	17992	RELEASED FOR PRODUCTION	3/03/08	BLR
REV	PCR NO	DESCRIPTION	DATE	BY

TITLE TS10100F070P				
SCALE	DATE	DR	DWG	REV
5 : 1	2/11/2009	BLR	Q972000	B

THE INFORMATION CONTAINED IN THIS DOCUMENT IS PROPRIETARY TO E-SWITCH AND IS NOT TO BE COPIED OR TRANSFERRED