



Chipsmall Limited consists of a professional team with an average of over 10 year of expertise in the distribution of electronic components. Based in Hongkong, we have already established firm and mutual-benefit business relationships with customers from,Europe,America and south Asia,supplying obsolete and hard-to-find components to meet their specific needs.

With the principle of “Quality Parts,Customers Priority,Honest Operation,and Considerate Service”,our business mainly focus on the distribution of electronic components. Line cards we deal with include Microchip,ALPS,ROHM,Xilinx,Pulse,ON,Everlight and Freescale. Main products comprise IC,Modules,Potentiometer,IC Socket,Relay,Connector.Our parts cover such applications as commercial,industrial, and automotives areas.

We are looking forward to setting up business relationship with you and hope to provide you with the best service and solution. Let us make a better world for our industry!



Contact us

Tel: +86-755-8981 8866 Fax: +86-755-8427 6832

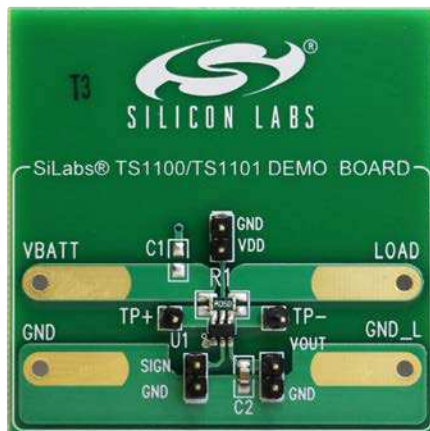
Email & Skype: info@chipsmall.com Web: www.chipsmall.com

Address: A1208, Overseas Decoration Building, #122 Zhenhua RD., Futian, Shenzhen, China



TS1100/01/02/03 Current Sense Amplifier EVB User's Guide

The TS1100/01/02/03 Unidirectional and Bidirectional Current Sense Amplifiers consume a very low 0.68 μA supply current. The TS1100 and TS1101 high-side current sense amplifiers (CSA) combine a 100 μV (max) input offset voltage (VOS) and a 0.6% (max) gain error (GE), with both specifications optimized for any precision current measurement. The TS1102 and TS1103 CSAs combine a 200 μV (max) VOS and a 0.6% (max) GE for cost-sensitive applications. For all high-side current sensing applications, the TS1100/01/02/03 CSAs are self-powered and feature a wide input common-mode voltage range from 2 to 27 V. For the bidirectional CSAs, TS1101 and TS1103, a SIGN comparator digital output is provided that indicates the direction of current flow. All CSAs are specified for operation over the $-40\text{ }^{\circ}\text{C}$ to $+105\text{ }^{\circ}\text{C}$ temperature range.



KEY FEATURES

- R_{SENSE} : 50 $\text{m}\Omega \pm 0.5\%$
- Compatible for All Gain Options
 - 25 V/V
 - 50 V/V
 - 100 V/V
 - 200 V/V

ORDERING INFORMATION

- TS1100-25DB
- TS1100-50DB
- TS1100-100DB
- TS1100-200DB
- TS1101-25DB
- TS1101-50DB
- TS1101-100DB
- TS1101-200DB
- TS1102-25DB
- TS1102-50DB
- TS1102-100DB
- TS1102-200DB
- TS1103-25DB
- TS1103-50DB
- TS1103-100DB
- TS1103-200DB

1. TS1100/02-EVB Description

The evaluation board for the TS1100 or TS1102 is a completely assembled and tested circuit board that can be used for evaluating the current-sense amplifier for all four gain options; i.e., 25 V/V, 50 V/V, 100 V/V, and 200 V/V. The board is configured with an $R_{SENSE} = R1 = 60\text{ m}\Omega$ resistor. The board has a dedicated $RS+ = VBATT$, $RS- = LOAD$, and output voltage $OUT = VOUT$ test points. For additional information, refer to the TS1100/01/02/03 product data sheet.

The demo board includes an optional on-board $0.1\text{ }\mu\text{F}$ decoupling capacitor (not installed) at the VBATT input pin and a 47 nF capacitor at the VOUT output pin. Depending on the load current desired, an external resistor or active load is to be connected to the LOAD pin.

Table 1.1. TS1100/02 Component List

Designation	Quantity	Description
U1	1	TS1100-25 / TS1100-50 / TS1100-100 / TS1100-200 / TS1102-25 / TS1102-50 / TS1102-100 / TS1102-200
C1	Not installed	$0.1\text{ }\mu\text{F} \pm 10\%$ capacitor (0805)
C2	1	$47\text{ nF} \pm 10\%$ capacitor (0805)
R1	1	$50\text{ m}\Omega \pm 1\%$ (0805)
VDD, VBATT, VOUT	3	Test Points

2. TS1100/02-EVB Quick Start Procedure

Required Equipment:

- TS1100 or TS1102 demo board
- One dc power supply (HP Model HP6624A or equivalent)
- Two digital voltmeters
- Load resistor or an active load (value varies depending on I_{LOAD} desired)

Table 2.1. Demo Board Test Points

Signal	Eval Board
RS+	VBATT
RS-	LOAD
OUT	VOUT
GND	GND

Table 2.2. Demo Board Test Setup Per Gain Setting

GAIN (V/V)	V_{BATT} (V)	I_{LOAD} (mA)	R_{LOAD} (Ω)	V_{OUT} (V)	MAX V_{SENSE} (mV)
25	6	1600	3.75	2	80
50	6	800	7.5	2	40
100	6	400	15	2	20
200	6	200	30	2	10

To evaluate the TS1100/02 current-sense amplifier circuit, perform the following steps:

1. Before connecting the dc power supply to the demo board, turn on the power supply, set the dc voltage to 6 V, set its short circuit current limit to 10% higher than the maximum load current in the application, and then turn it off.
2. Connect the dc power supply positive terminal to the pad labeled V_{BATT} and its negative terminal to the adjacent pad labeled GND.
3. Connect a digital voltmeter to the test points labeled TP+ and TP- to measure V_{SENSE} .
4. Connect the positive terminal of a second digital voltmeter to the test point labeled V_{OUT} and the negative terminal to the adjacent test point labeled GND.
5. Based on the selective gain option of the current sense amplifier, select the load register or an active load according to the table above. Connect one end of this resistor or active load to the pad labeled LOAD and the other end to the adjacent pad labeled GND.
6. Turn on the power supply and observe the output voltage at V_{OUT} . The expression for the TS1100's output voltage is given by:

$$V_{OUT} = I_{LOAD} \times 50m\Omega \times \frac{R_{OUT}}{R1}$$

where the TS1100's internal R_{OUT} and $R1$ resistor values are listed in the following table:

Table 2.3. TS1100's Internal Gain Setting Resistors (Typical Values)

Gain (V/V)	$R1$ (Ω)	R_{OUT} (Ω)
25	400	10K
50	200	10K
100	100	10K
200	100	20K

7. The TS1100's actual output voltage V_{OUT} will depend on the TS100's actual offset voltage V_{OS} , its gain error GE , sense resistor (R_{SENSE}) tolerance of $\pm 1\%$ and the load resistor tolerance/active load accuracy.

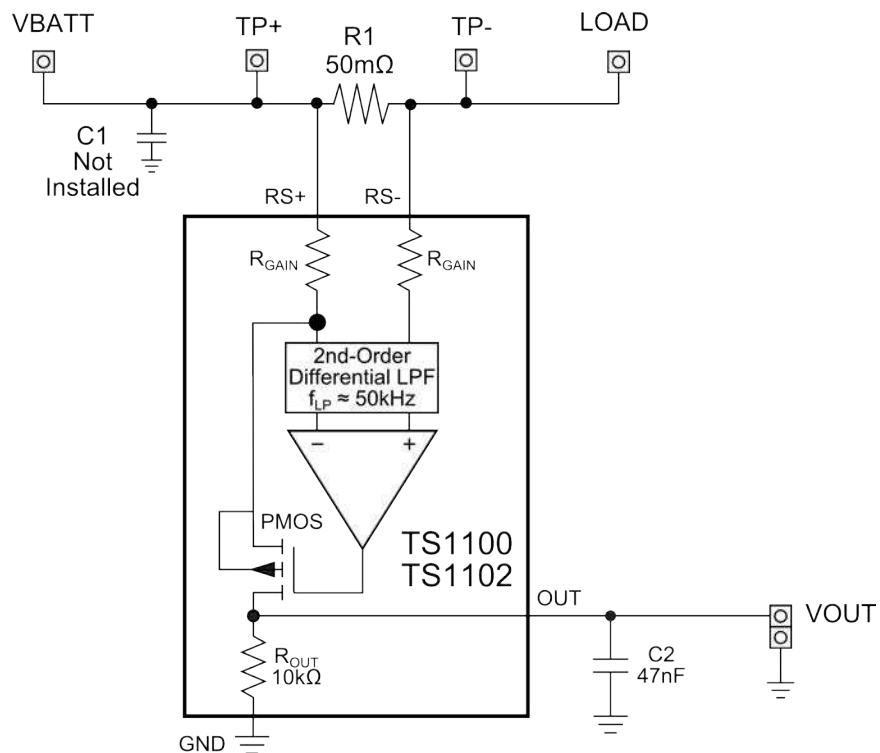


Figure 2.1. TS1100/02 Demo Board Circuit Schematic

3. TS1101/03-EVB Description

The evaluation board for the TS1101 or TS1103 is a completely assembled and tested circuit board that can be used for evaluating the current-sense amplifier for all (4) gain options; i.e., 25V/V, 50V/V, 100V/V, and 200V/V. The board is configured with an $R = R1 = 50$ mW resistor. The board has a dedicated $RS+ = VBATT$, $RS- = LOAD$, and output voltage $OUT = VOUT$ test points. The TS1101 and TS1103 evaluation boards also have VDD and SIGN test points. For additional information, refer to the TS1100/01/02/03 product data sheet.

The demo board includes an optional onboard 0.1 mF decoupling capacitor (not installed) at the VBATT input pin and a 47 nF capacitor at the VOUT output pin. Depending on the load current desired, an external resistor or active load is to be connected at the LOAD pin.

Because the TS1101 and TS1103 are bidirectional current-sense amplifiers, their demo boards can be set up to sense current in both directions. Please refer to [Table 4.2 VBATT and LOAD Test Point Connections Per ILOAD Direction on page 5](#) for the proper connections for VBATT and LOAD test points. The direction of the current is known based on the voltage level of the SIGN pin. If $VRS+ > VRS-$, the SIGN pin is a logic HIGH or VDD voltage. If $VRS- > VRS+$, the SIGN pin is a logic LOW or GND voltage. A VDD test point is available and powers the internal comparator that monitors the direction of the load current. The output voltage of the comparator is the voltage on the SIGN pin.

Table 3.1. TS1101/03 Component List

Designation	Quantity	Description
U1	1	TS1101-25 / TS1101-50 / TS1101-100 / TS1101-200 / TS1103-25 / TS1103-50 / TS1103-100 / TS1103-200
C1	Not installed	0.1 μ F \pm 10% capacitor (0805)
C2	1	47 nF \pm 10% capacitor (0805)
R1	1	50 m Ω \pm 1% (0805)
VDD, VBATT, VOUT, SIGN, LOAD	5	Test Points

4. TS1101/03-EVB Quick Start Procedure

Required Equipment:

- TS1101 or TS1103 demo board
- One dc power supply (HP Model HP6624A or equivalent)
- Three digital voltmeters
- Load resistor or an active load (value varies depending on I_{LOAD} desired)

Table 4.1. Demo Board Test Points

Signal	Demo Board
RS+	VBATT
RS-	LOAD
OUT	VOUT
GND	GND
VDD	VDD
SIGN	SIGN

Table 4.2. VBATT and LOAD Test Point Connections Per ILOAD Direction

Test Point	$V_{RS+} > V_{RS-}$	$V_{RS-} > V_{RS+}$
VBATT	input voltage	load
LOAD	load	input voltage

Table 4.3. Demo Board Test Setup Per Gain Setting

GAIN (V/V)	V_{BATT} (V)	I_{LOAD} (mA)	V_{DD} (V)	R_{LOAD} (Ω)	V_{OUT} (V)	MAX V_{SENSE} (mV)
25	6	1600	1.8	3.75	2	80
50	6	800	1.8	7.5	2	40
100	6	400	1.8	15	2	20
200	6	200	1.8	30	2	10

To evaluate the TS1101/03 bi-directional current-sense amplifier circuit, perform the following steps:

1. Before connecting the dc power supply to the demo board, turn on the power supply, set the dc voltage to 6 V on one output and the other to 1.8 V. Set the short circuit current limit on each output to 10% higher than the maximum load current in the application, and then turn it off.
2. For applications where $V_{RS+} > V_{RS-}$, connect the 6 V dc power supply positive terminal to the test point VBATT and its negative terminal to the test point GND. Connect the 1.8 V power supply positive terminal to the test point VDD and its negative terminal to the test point GND. See [Table 4.2 VBATT and LOAD Test Point Connections Per ILOAD Direction on page 5](#) for applications where $V_{RS-} > V_{RS+}$.
3. Connect a digital voltmeter to the test points TP+ and TP- to measure V_{SENSE} .
4. Connect the positive terminal of a second digital voltmeter to the test point VOUT and the negative terminal to the test point GND.
5. To monitor the direction of the current, connect the positive terminal of a third digital voltmeter to the test point SIGN and the negative terminal to the test point GND.
6. Based on the selected gain option of the current sense amplifier, select the load resistor or an active load according to [Table 4.3 Demo Board Test Setup Per Gain Setting on page 5](#). Connect one end of this resistor or active load to the test point LOAD and the other end to the test point GND.

7. Turn on the power supply and observe the output voltage at VOUT. The expression for the TS1101/03's output voltage is given by:

$$V_{OUT} = I_{LOAD} \times 50m\Omega \times \frac{R_{OUT}}{R_{GAIN[A/B]}}$$

where the TS1101/03's internal R_{OUT} and R_{GAIN[A/B]} resistor values are listed in the following table:

Table 4.4. TS1101's Internal Gain Setting Resistors (Typical Values)

Gain (V/V)	R1 (Ω)	ROUT (Ω)
25	400	10K
50	200	10K
100	100	10K
200	100	20K

8. The TS1101/03's actual output voltage V_{OUT} will depend on the TS1101/03's actual offset voltage V_{OS}, its gain error GE, sense resistor (R_{SENSE}) tolerance of ±1%, and the load resistor tolerance/active load accuracy.

Note: For applications where V_{RS-} > V_{RS+}, connect test points VBATT and LOAD based on [Table 4.2 VBATT and LOAD Test Point Connections Per ILOAD Direction on page 5](#), and follow the steps above.

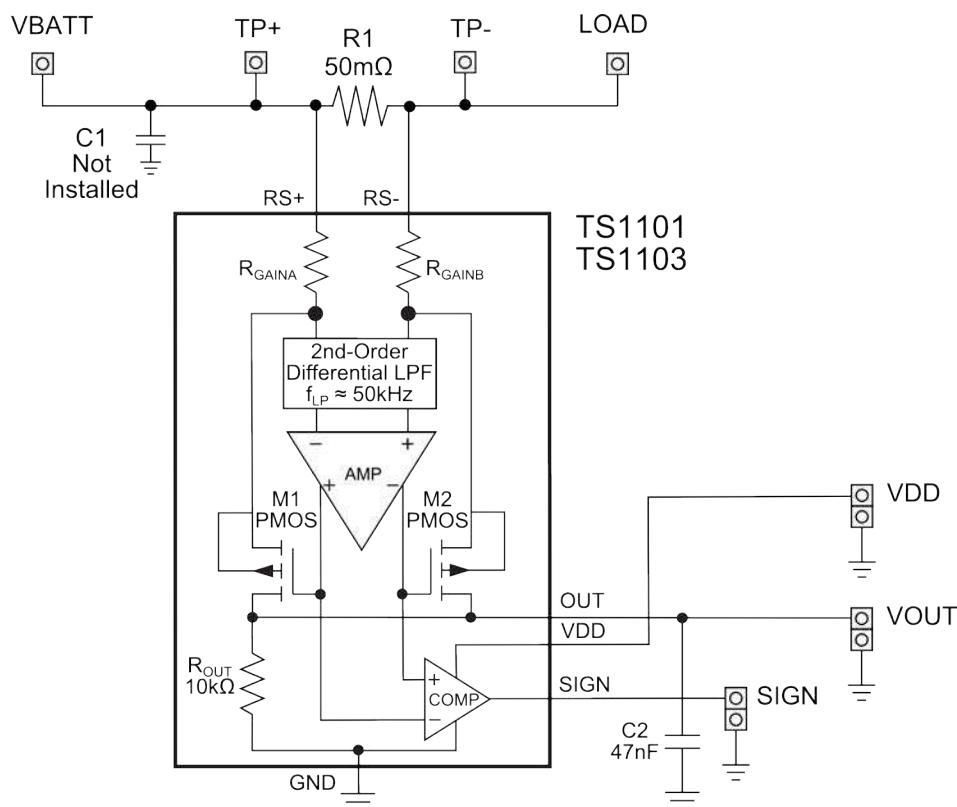
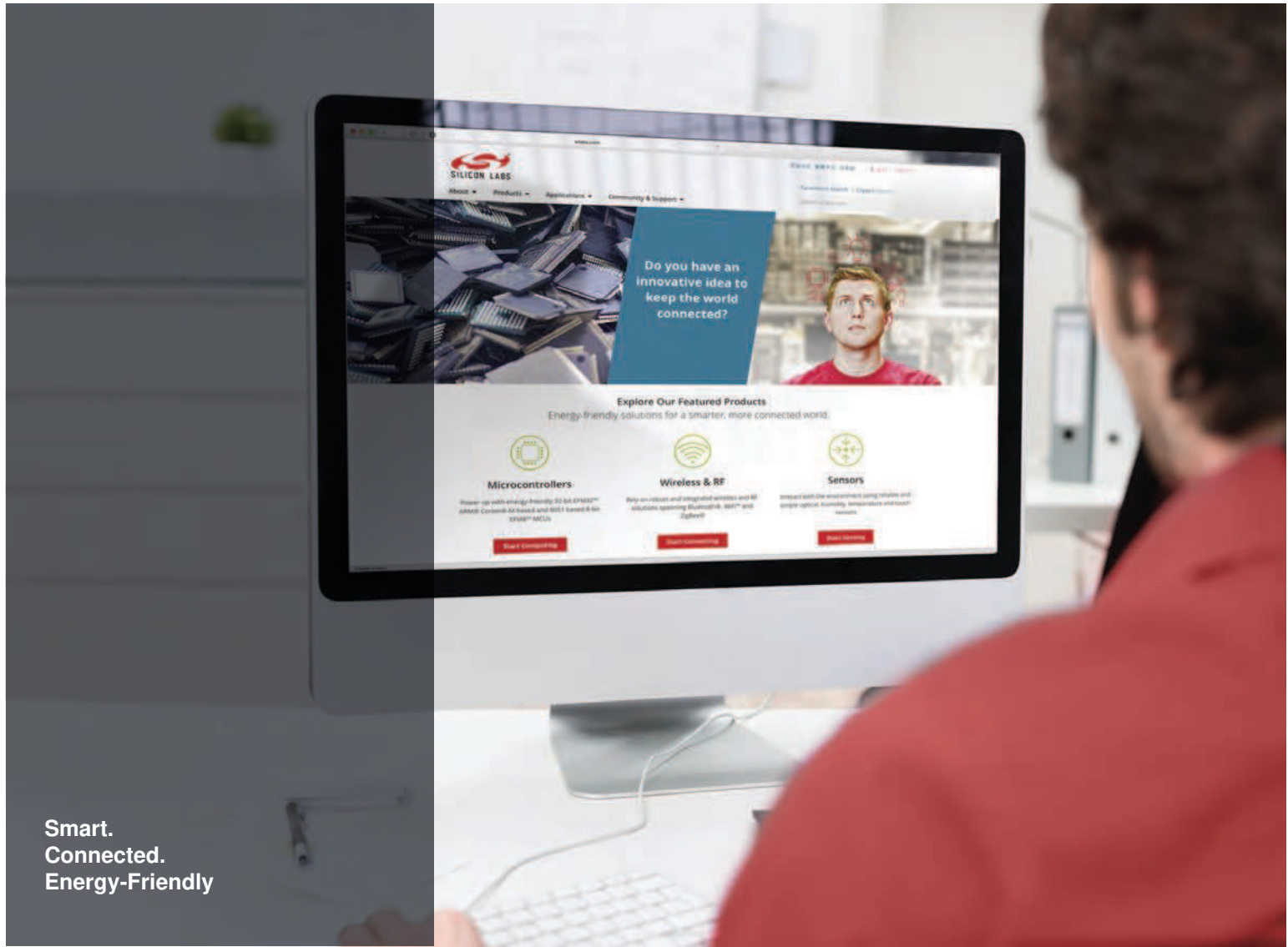


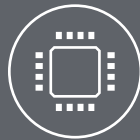
Figure 4.1. TS1101/03DB Demo Board Circuit Schematic



Smart.
Connected.
Energy-Friendly



Products
www.silabs.com/products



Quality
www.silabs.com/quality



Support and Community
community.silabs.com

Disclaimer

Silicon Laboratories intends to provide customers with the latest, accurate, and in-depth documentation of all peripherals and modules available for system and software implementers using or intending to use the Silicon Laboratories products. Characterization data, available modules and peripherals, memory sizes and memory addresses refer to each specific device, and "Typical" parameters provided can and do vary in different applications. Application examples described herein are for illustrative purposes only. Silicon Laboratories reserves the right to make changes without further notice and limitation to product information, specifications, and descriptions herein, and does not give warranties as to the accuracy or completeness of the included information. Silicon Laboratories shall have no liability for the consequences of use of the information supplied herein. This document does not imply or express copyright licenses granted hereunder to design or fabricate any integrated circuits. The products must not be used within any Life Support System without the specific written consent of Silicon Laboratories. A "Life Support System" is any product or system intended to support or sustain life and/or health, which, if it fails, can be reasonably expected to result in significant personal injury or death. Silicon Laboratories products are generally not intended for military applications. Silicon Laboratories products shall under no circumstances be used in weapons of mass destruction including (but not limited to) nuclear, biological or chemical weapons, or missiles capable of delivering such weapons.

Trademark Information

Silicon Laboratories Inc., Silicon Laboratories, Silicon Labs, SiLabs and the Silicon Labs logo, CMEMS®, EFM, EFM32, EFR, Energy Micro, Energy Micro logo and combinations thereof, "the world's most energy friendly microcontrollers", Ember®, EZLink®, EZMac®, EZRadio®, EZRadioPRO®, DSPLL®, ISOmodem®, Precision32®, ProSLIC®, SiPHY®, USBXpress® and others are trademarks or registered trademarks of Silicon Laboratories Inc. ARM, CORTEX, Cortex-M3 and THUMB are trademarks or registered trademarks of ARM Holdings. Keil is a registered trademark of ARM Limited. All other products or brand names mentioned herein are trademarks of their respective holders.



Silicon Laboratories Inc.
400 West Cesar Chavez
Austin, TX 78701
USA

<http://www.silabs.com>