



Chipsmall Limited consists of a professional team with an average of over 10 year of expertise in the distribution of electronic components. Based in Hongkong, we have already established firm and mutual-benefit business relationships with customers from,Europe,America and south Asia,supplying obsolete and hard-to-find components to meet their specific needs.

With the principle of “Quality Parts,Customers Priority,Honest Operation,and Considerate Service”,our business mainly focus on the distribution of electronic components. Line cards we deal with include Microchip,ALPS,ROHM,Xilinx,Pulse,ON,Everlight and Freescale. Main products comprise IC,Modules,Potentiometer,IC Socket,Relay,Connector.Our parts cover such applications as commercial,industrial, and automotives areas.

We are looking forward to setting up business relationship with you and hope to provide you with the best service and solution. Let us make a better world for our industry!



Contact us

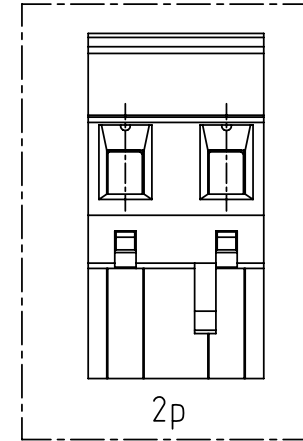
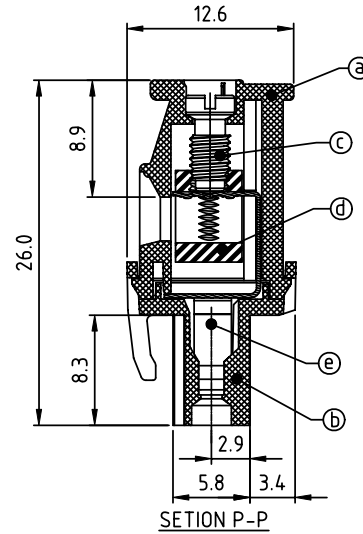
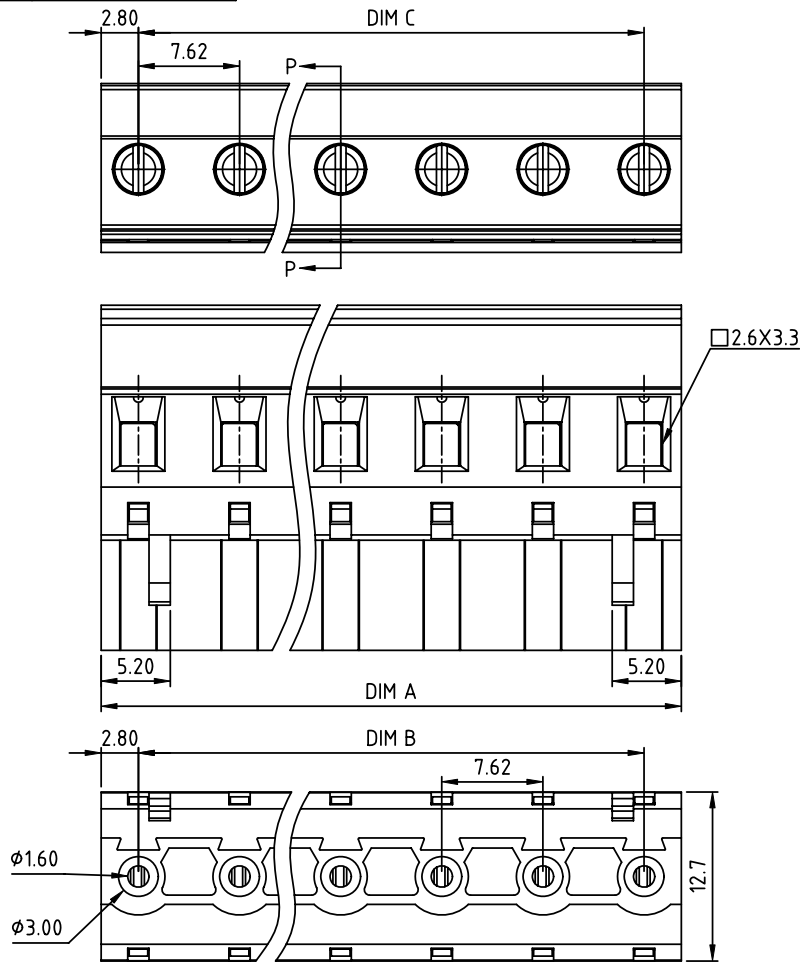
Tel: +86-755-8981 8866 Fax: +86-755-8427 6832

Email & Skype: info@chipsmall.com Web: www.chipsmall.com

Address: A1208, Overseas Decoration Building, #122 Zhenhua RD., Futian, Shenzhen, China



PRODUCT NUMBER	PITCH
TSxx01xA00J0G	7.62 mm



Material

- Item (a) Top body: Thermoplastic (UL94V-0)
- Item (d) Bottom body: Thermoplastic (UL94V-0)
- Item (c) Terminal screw: Steel Zinc plating "-" slot type
- Item (e) Clamp: Brass, Ni plated
- Item (b) Female contact: PbZ (CuSn), Tin plated

Electrical cULus/TUV

- Voltage rating: 300VAC/750VAC
- Current rating: 15A/15A
- Wire range: 0.2-2.5mm²
- Solid wire(AWG): 12-24
- Stranded wire(AWG): 12-24
- Torque: 3.5 Lb-In 0.4Nm
- Screw: M3
- Wire strip length: 6-7mm
- Withstanding Voltage: 1.6KV/6KV
- Operating temperature: -40°C to +115°C
- Safety Approval:

Dim A=(N-1)×7.62+5.6
 Dim B=(N-1)×7.62
 Dim C=(N-1)×7.62
 N=Number of poles

POLES	Tolerance
2p-6p	±0.20
7p-11p	±0.30
12p-16p	±0.40

PART NO.: TS xx 01 x A 00J0 G

Solid block	No. of poles	Color
0	2	Black (RAL9005)
02	2 poles	Red (RAL3001/D)
03	3 poles	Orange(RAL2011/P)
4	3 poles	Yellow(RAL1018/A)
5	...	Green(RAL6018/T)
6	16 poles	Blue (RAL5015/A)
8		Grey(RAL7035/D)
9		White(RAL1102)
C		Green(RAL6018/U)

RoHS compliant
 (lead<4%)
 In copper Alloy

mat'l. code		surface ASME Y14.5	tolerance ASME Y14.5	projection	product family TERMINAL BLOCK		
ltr	ecn no	dr	date		title TERMINAL BLOCK		
tolerances unless otherwise specified						MM	
angles		X.±0.5		scale	PLUGGABLE PLUG,HOOK ON ENTRY SIDE,WITHOUT FLANGE		
X°±1'		X.X±0.3					
dr		EVIN ZHONG	041914		dwg no	sheet 1 of 1	size
enr		EVIN ZHONG	041914		TSxx01xA00J0G	A4	
chr		HANKE FENG	041914		type		
appd		SHI JUN	041914		CUSTOMER Drawing		
sheet index	revision	A	1				