



Chipsmall Limited consists of a professional team with an average of over 10 year of expertise in the distribution of electronic components. Based in Hongkong, we have already established firm and mutual-benefit business relationships with customers from,Europe,America and south Asia,supplying obsolete and hard-to-find components to meet their specific needs.

With the principle of “Quality Parts,Customers Priority,Honest Operation,and Considerate Service”,our business mainly focus on the distribution of electronic components. Line cards we deal with include Microchip,ALPS,ROHM,Xilinx,Pulse,ON,Everlight and Freescale. Main products comprise IC,Modules,Potentiometer,IC Socket,Relay,Connector.Our parts cover such applications as commercial,industrial, and automotives areas.

We are looking forward to setting up business relationship with you and hope to provide you with the best service and solution. Let us make a better world for our industry!



## Contact us

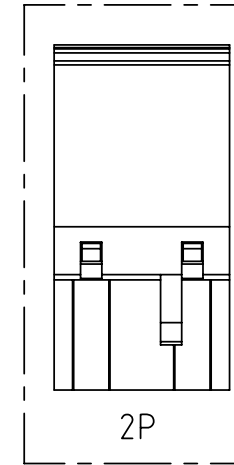
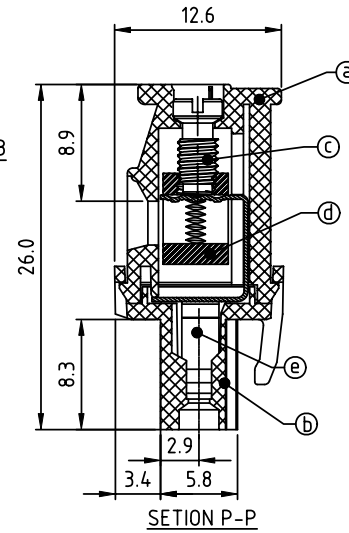
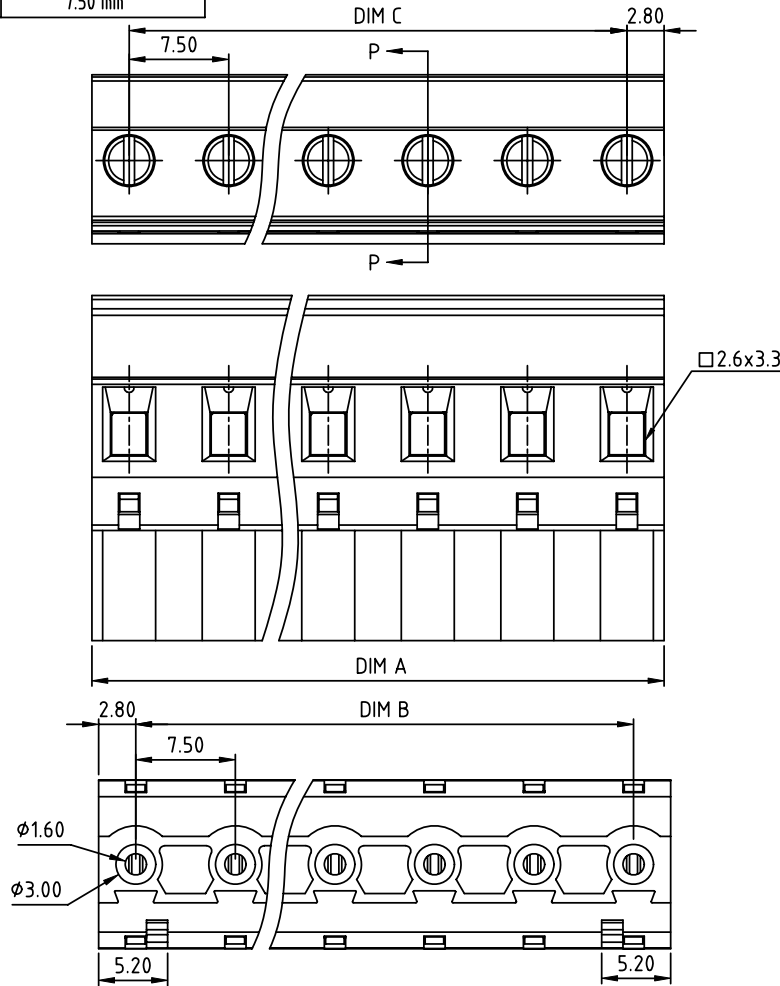
Tel: +86-755-8981 8866 Fax: +86-755-8427 6832

Email & Skype: info@chipsmall.com Web: www.chipsmall.com

Address: A1208, Overseas Decoration Building, #122 Zhenhua RD., Futian, Shenzhen, China



PRODUCT NUMBER	PITCH
TSxxA1xB00J0G	7.50 mm



**Material**

- Item(a) Top body: Thermoplastic (UL94V-0)
- Item(b) Bottom body: Thermoplastic (UL94V-0)
- Item(c) Terminal screw: Steel Zinc plating "-" slot type
- Item(d) Clamp: Brass, Ni plated
- Item(e) Female contact: PhBz (CuSn) Tin plated

**Electrical cULus/TUV**

- Voltage rating: 300VAC/750VAC
- Current rating: 15A/15A
- Wire range: 0.2-2.5mm<sup>2</sup>
- Solid wire(AWG): 12-24
- Stranded wire(AWG): 12-24
- Torque: 3.5 Lb-In 0.4Nm
- Screw: M3
- Wire strip length: 6-7mm
- Withstanding Voltage: 1.6KV/6KV
- Operating temperature: -40°C to +115°C
- Safety Approval:

Dim A=(N-1)×7.5+5.6  
 Dim B=(N-1)×7.5  
 Dim C=(N-1)×7.5  
 N=Number of poles

POLES	Tolerance
2p-6p	±0.20
7p-11p	±0.30
12p-16p	±0.40

PART NO.: TS xx A1 x B 00J0 G

Solid block	No. of poles	Color	RoHS compliant (lead<4%) In copper Alloy
0	2	Black (RAL9005)	
02	2 poles	Red (RAL3001/D)	
03	3 poles	Orange(RAL2011/P)	
4	3 poles	Yellow(RAL1018/A)	
5	...	Green(RAL6018/T)	
6	16 poles	Blue (RAL5015/A)	
8		Grey(RAL7035/D)	
9		White(RAL1102)	
C		Green(RAL6018/U)	

mat'l. code		surface ASME Y14.5	tolerance ASME Y14.5	projection 	product family TERMINAL BLOCK
ltr	ecn no	dr	date	tolerances unless otherwise specified	title
				angles 	TERMINAL BLOCK
				X±0.5	PLUGGABLE PLUG,HOOK ON BACK SIDE,WITHOUT FLANGE
				X.X±0.3	scale
				X*±1"	X.XX±0.1
dr	EVIN ZHONG	041914			dwg no
enr	EVIN ZHONG	041914			sheet 1 of 1
chr	HANKE FENG	041914			size
appd	SHI JUN	041914			TSxxA1xB00J0G
					A4
sheet index	revision	A			type
	sheet	1			CUSTOMER Drawing