



Chipsmall Limited consists of a professional team with an average of over 10 year of expertise in the distribution of electronic components. Based in Hongkong, we have already established firm and mutual-benefit business relationships with customers from,Europe,America and south Asia,supplying obsolete and hard-to-find components to meet their specific needs.

With the principle of “Quality Parts,Customers Priority,Honest Operation,and Considerate Service”,our business mainly focus on the distribution of electronic components. Line cards we deal with include Microchip,ALPS,ROHM,Xilinx,Pulse,ON,Everlight and Freescale. Main products comprise IC,Modules,Potentiometer,IC Socket,Relay,Connector.Our parts cover such applications as commercial,industrial, and automotives areas.

We are looking forward to setting up business relationship with you and hope to provide you with the best service and solution. Let us make a better world for our industry!



Contact us

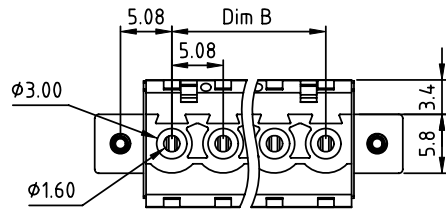
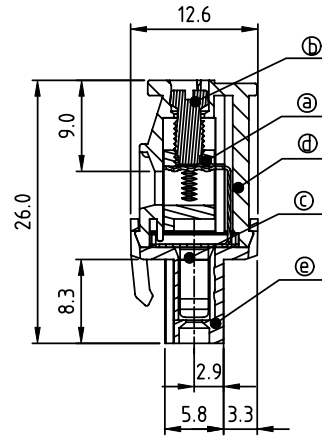
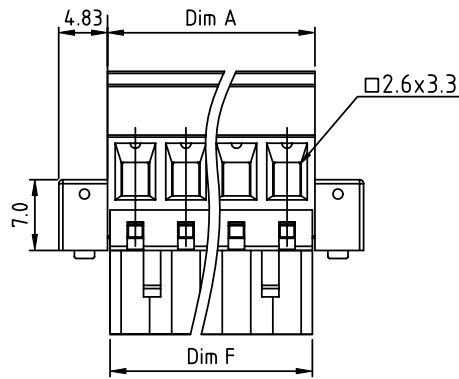
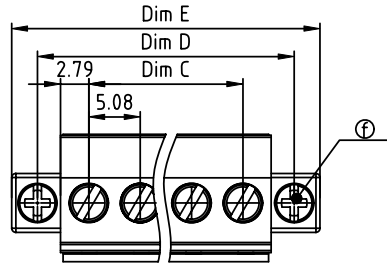
Tel: +86-755-8981 8866 Fax: +86-755-8427 6832

Email & Skype: info@chipsmall.com Web: www.chipsmall.com

Address: A1208, Overseas Decoration Building, #122 Zhenhua RD., Futian, Shenzhen, China



PRODUCT NUMBER	PITCH
TSxx51xC00J0G	5.08 mm

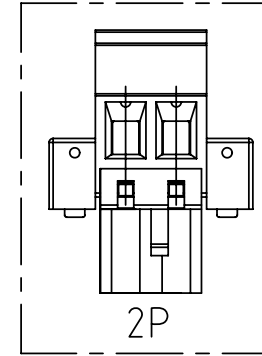


N = Number of poles
 Dim A=Nx5.08+0.5
 Dim B=(N-1)x5.08
 Dim C=(N-1)x5.08
 Dim D=(N-1)x5.08+10.16
 Dim E=(N-1)x5.08+15.24
 Dim F=Nx5.08

poles	Tolerance
2-6p	±0.15
7-12p	±0.25
13-18p	±0.30
19-24p	±0.40

PART NO.: TS xx 51 x C 00J0 G

Solid block	0	Black (RAL9005)	RoHS compliant (lead<4%) In copper Alloy
No. of poles	2	Red (RAL3001/D)	
02 2 poles	3	Orange(RAL2011/P)	
03 3 poles	4	Yellow(RAL1018/A)	
...	5	Green(RAL6018/T)	
24 24 poles	6	Blue (RAL5015/A)	
	8	Grey(RAL7035/D)	
	9	White(RAL1102)	
	C	Green(RAL6018/U)	



Material

- Item①Clamp: Brass(CuZn), Ni plating
- Item②Terminal screw: Steel Zinc plating "-" slot type
- Item③Female contact: PhBz, Tin plated
- Item④Top body: Thermoplastic (UL94V-0)
- Item⑤Bottom body: Thermoplastic (UL94V-0)
- Item⑥With flange screw: Steel Zinc plating M2.5 "+/-" combination type

Electrical cULus/VDE/TUV

- Voltage rating: 300VAC/300VAC/300VAC
- Current rating: 15A/17A/15A
- Wire range: 2.5mm²/0.34-2.5mm²
- Solid wire(AWG): 12-24
- Stranded wire(AWG): 12-24
- Torque: 3.5Lb-In./0.5Nm/0.4Nm
- Screw: M3
- Wire strip length: 6-7mm
- Withstanding Voltage: 1.6KV/2.5KV/2.5KV
- Operating temperature: -40°C to +115°C
- Safety approval:

mat'l. code		surface ASME Y14.5	tolerance ASME Y14.5	projection 	product family TERMINAL BLOCK
ltr	ecn no	dr	date	tolerances unless otherwise specified	title TERMINAL BLOCK
				angles 	PLUGGABLE PLUG,HOOK ON ENTRY SIDE, WITH FLANGE
				X±0.5	scale
				X.X±0.3	MM
				X*±1"	X.XX±0.1
dr	EVIN ZHONG	041914			FCI
enrg	EVIN ZHONG	041914			dwg no
chr	HANKE FENG	041914			sheet 1 of 1 size
appd	SHI JUN	041914			TSxx51xC00J0G
					A4
sheet index	revision	A			type
	sheet	1			CUSTOMER Drawing