



Chipsmall Limited consists of a professional team with an average of over 10 year of expertise in the distribution of electronic components. Based in Hongkong, we have already established firm and mutual-benefit business relationships with customers from,Europe,America and south Asia,supplying obsolete and hard-to-find components to meet their specific needs.

With the principle of “Quality Parts,Customers Priority,Honest Operation,and Considerate Service”,our business mainly focus on the distribution of electronic components. Line cards we deal with include Microchip,ALPS,ROHM,Xilinx,Pulse,ON,Everlight and Freescale. Main products comprise IC,Modules,Potentiometer,IC Socket,Relay,Connector.Our parts cover such applications as commercial,industrial, and automotives areas.

We are looking forward to setting up business relationship with you and hope to provide you with the best service and solution. Let us make a better world for our industry!



## Contact us

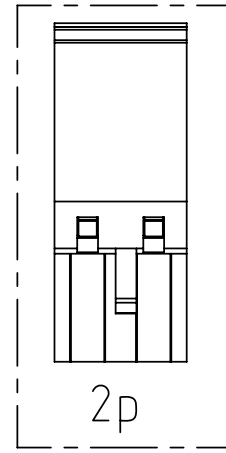
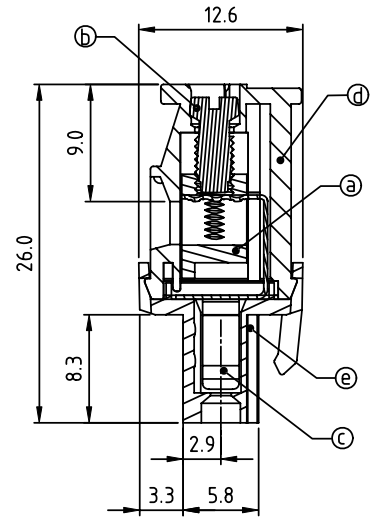
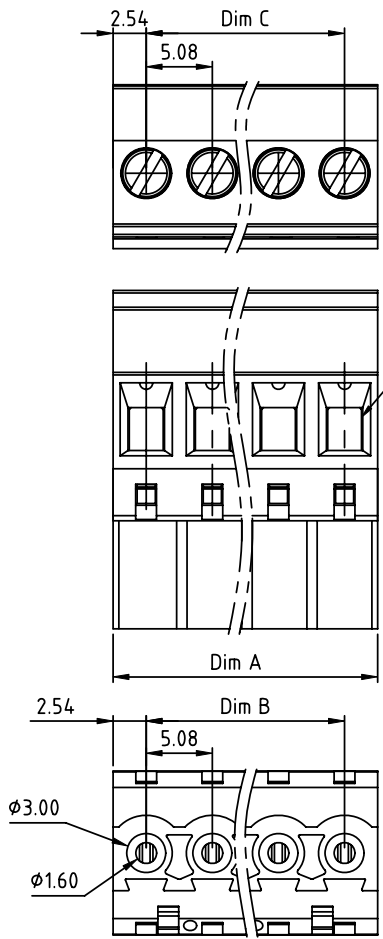
Tel: +86-755-8981 8866 Fax: +86-755-8427 6832

Email & Skype: info@chipsmall.com Web: www.chipsmall.com

Address: A1208, Overseas Decoration Building, #122 Zhenhua RD., Futian, Shenzhen, China



PRODUCT NUMBER	PITCH
TSxx51xB00J0G	5.08 mm



Material

- Item@Clamp: Brass(CuZn), Ni plating
- Item@ Terminal screw: Steel Zinc plating "-" slot type
- Item@ Female contact: PhBz, Tin plated
- Item@ Top body: Thermoplastic (UL94V-0)
- Item@ Bottom body: Thermoplastic (UL94V-0)

Electrical cULus/VDE/TUV

- Voltage rating: 300VAC/300VAC/300VAC
- Current rating: 15A/17A/15A
- Wire range: 2.5mm<sup>2</sup> /0.34-2.5mm<sup>2</sup>
- Solid wire(AWG): 12-24
- Stranded wire(AWG): 12-24
- Torque: 3.5Lb-In./0.5Nm/0.4Nm
- Screw: M3
- Wire strip length: 6-7mm
- Withstanding Voltage: 1.6KV/2.5KV/2.5KV
- Operating temperature: -40°C to +115°C
- Safety approval:

N = Number of poles  
Dim A=Nx5.08  
Dim B=(N-1)x5.08  
Dim C=(N-1)x5.08

poles	Tolerance
2-6p	±0.15
7-12p	±0.25
13-18p	±0.30
19-24p	±0.40

PART NO.: TS xx 51 x B 00J0 G

Solid block	0	Color	Black (RAL9005)	RoHS compliant (lead<4%) In copper Alloy
No. of poles	2		Red (RAL3001/D)	
02	2 poles	3	Orange(RAL2011/P)	
03	3 poles	4	Yellow(RAL1018/A)	
...	...	5	Green(RAL6018/T)	
24	24 poles	6	Blue (RAL5015/A)	
		8	Grey(RAL7035/D)	
		9	White(RAL1102)	
		C	Green(RAL6018/U)	

mat'l. code		surface ASME Y14.5	tolerance ASME Y14.5	projection	product family TERMINAL BLOCK
ltr	ecn no	dr	date		title
				MM	TERMINAL BLOCK
				scale	PLUGGABLE PLUG,HOOK ON BACK SIDE,WITHOUT FLANGE
		dr	EVIN ZHONG	041914	dwg no
		enr	EVIN ZHONG	041914	sheet 1 of 1
		chr	HANKE FENG	041914	size
		appd	SHI JUN	041914	A4
sheet index	revision	A			type
	sheet	1			CUSTOMER Drawing