



Chipsmall Limited consists of a professional team with an average of over 10 year of expertise in the distribution of electronic components. Based in Hongkong, we have already established firm and mutual-benefit business relationships with customers from,Europe,America and south Asia,supplying obsolete and hard-to-find components to meet their specific needs.

With the principle of “Quality Parts,Customers Priority,Honest Operation,and Considerate Service”,our business mainly focus on the distribution of electronic components. Line cards we deal with include Microchip,ALPS,ROHM,Xilinx,Pulse,ON,Everlight and Freescale. Main products comprise IC,Modules,Potentiometer,IC Socket,Relay,Connector.Our parts cover such applications as commercial,industrial, and automotives areas.

We are looking forward to setting up business relationship with you and hope to provide you with the best service and solution. Let us make a better world for our industry!



Contact us

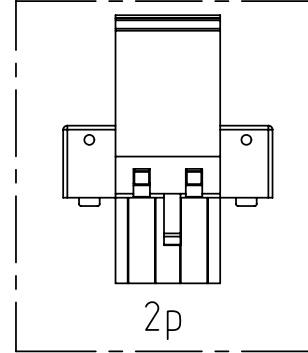
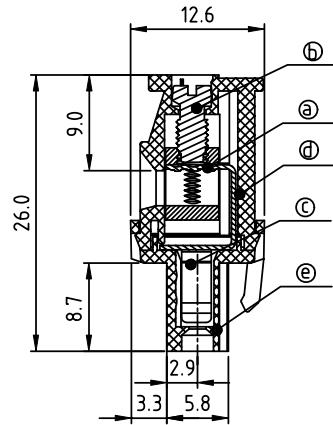
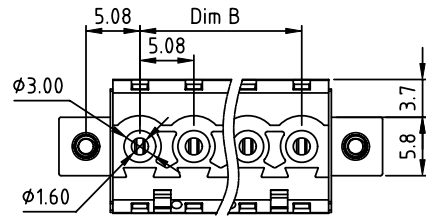
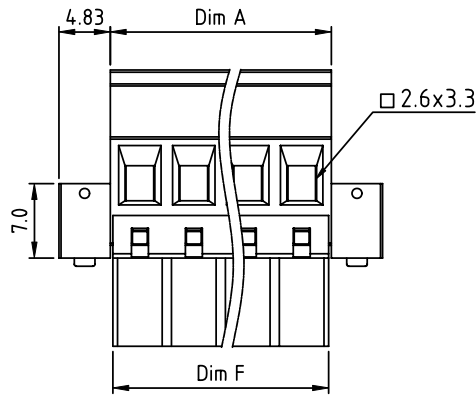
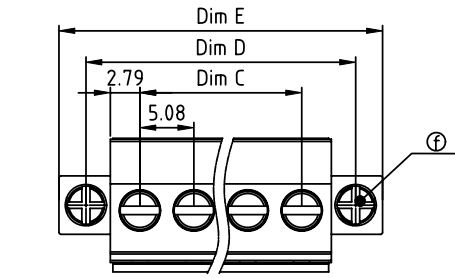
Tel: +86-755-8981 8866 Fax: +86-755-8427 6832

Email & Skype: info@chipsmall.com Web: www.chipsmall.com

Address: A1208, Overseas Decoration Building, #122 Zhenhua RD., Futian, Shenzhen, China



PRODUCT NUMBER	PITCH
TSxx51xD00J0G	5.08 mm



Material

- Item ⑥ Clamp: Brass(CuZn), Ni plating
- Item ⑤ Terminal screw: Steel Zinc plating "-" slot type
- Item ④ Female contact: PhBz, Tin plated
- Item ③ Top body: Thermoplastic (UL94V-0)
- Item ② Bottom body: Thermoplastic (UL94V-0)
- Item ⑦ With flange screw : Steel Zinc plating M2.5 "+/-" combination type

Electrical cULus/VDE/TUV

- Voltage rating: 300VAC/300VAC/300VAC
- Current rating: 15A/17A/15A
- Wire range: 2.5mm²/0.34-2.5mm²
- Solid wire(AWG): 12-24
- Stranded wire(AWG): 12-24
- Torque: 3.5Lb-In./0.5Nm/0.4Nm
- Screw: M3
- Wire strip length: 6-7mm
- Withstanding Voltage: 1.6KV/2.5KV/2.5KV
- Operating temperature: -40°C to +115°C
- Safety approval:

N = Number of poles
 Dim A=Nx5.08+0.5
 Dim B=(N-1)x5.08
 Dim C=(N-1)x5.08
 Dim D=(N-1)x5.08+10.16
 Dim E=(N-1)x5.08+15.24
 Dim F=Nx5.08

poles	Dim A	Dim B
2-6p	±0.15	±0.10
7-12p	±0.25	±0.15
13-18p	±0.30	±0.20
19-24p	±0.40	±0.30

PART NO.: TS xx 51 x D 00J 0 G

Solid block	No. of poles	Color	RoHS compliant (lead<4%) In copper Alloy
0	2	Black (RAL9005)	
02	2 poles	Red (RAL3001/D)	
03	3 poles	Orange(RAL2011/P)	
04	4 poles	Yellow(RAL1018/A)	
05	5 poles	Green(RAL6018/T)	
06	6 poles	Blue (RAL5015/A)	
08	8 poles	Grey(RAL7035/D)	
09	9 poles	White(RAL1102)	
0C	12 poles	Green(RAL6018/U)	

mat'l. code		surface ASME Y14.5	tolerance ASME Y14.5	projection	product family
ltr	ecn no	dr	date		TERMINAL BLOCK
tolerances unless otherwise specified				MM	title
angles				scale	TERMINAL BLOCK
X°±1'					PLUGGABLE PLUG,HOOK ON BACK SIDE,WITH FLANGE
dr EVIN ZHONG 041914					dwg no
enr EVIN ZHONG 041914					sheet 1 of 1
chr HANKE FENG 041914					size
appd SHI JUN 041914					A4
sheet index				revision sheet	A 1
					type CUSTOMER Drawing