



Chipsmall Limited consists of a professional team with an average of over 10 year of expertise in the distribution of electronic components. Based in Hongkong, we have already established firm and mutual-benefit business relationships with customers from,Europe,America and south Asia,supplying obsolete and hard-to-find components to meet their specific needs.

With the principle of “Quality Parts,Customers Priority,Honest Operation,and Considerate Service”,our business mainly focus on the distribution of electronic components. Line cards we deal with include Microchip,ALPS,ROHM,Xilinx,Pulse,ON,Everlight and Freescale. Main products comprise IC,Modules,Potentiometer,IC Socket,Relay,Connector.Our parts cover such applications as commercial,industrial, and automotives areas.

We are looking forward to setting up business relationship with you and hope to provide you with the best service and solution. Let us make a better world for our industry!



## Contact us

Tel: +86-755-8981 8866 Fax: +86-755-8427 6832

Email & Skype: info@chipsmall.com Web: www.chipsmall.com

Address: A1208, Overseas Decoration Building, #122 Zhenhua RD., Futian, Shenzhen, China



## 2A, 24V, 150kHz Step-Down DC-DC Converter

### DESCRIPTION

TS2596S Series are step-down switching regulators with all required active functions. It is capable of driving 2A load with excellent line and load regulations. These devices are available in fixed output voltages of 5V, and an adjustable output version. TS2596S series operates at a switching frequency of 150kHz thus allowing smaller sized filter components than what would be needed with lower frequency switching regulators. It substantially not only reduces the area of board size but also the size of heat sink, and in some cases no heat sink is required. The  $\pm 4\%$  tolerance on output voltage within specified input voltages and output load conditions is guaranteed. Also, the oscillator frequency accuracy is within  $\pm 10\%$ . External shutdown is included. Featuring 70 $\mu$ A (typical) standby current. The output switch includes cycle-by-cycle current limiting, as well as thermal shutdown for full protection under fault conditions.

### FEATURES

- Output Voltage: 5V & Adjustable version
- Adjustable Output Voltage 1.23V~19.5V  $\pm 4\%$
- 150kHz  $\pm 15\%$  fixed switching frequency
- Voltage Mode Non-synchronous PWM control
- Thermal Shutdown and Current Limit Protection
- ON/OFF Shutdown Control Input
- Soft-Start (SS) Function
- Short Circuit Protect (SCP)
- Operating Voltage Can be up to 24V
- Output Load Current 2A
- Low Power Standby Mode

### APPLICATION

- Simple High-efficiency Step down Regulator
- On-Card Switching Regulators



#### Pin Definition:

- |              |        |
|--------------|--------|
| 1. Input     | 8. GND |
| 2. SW Output | 7. GND |
| 3. Feedback  | 6. GND |
| 4. Enable    | 5. GND |

**Notes:** MSL 3 (Moisture Sensitivity Level) per J-STD-020

ABSOLUTE MAXIMUM RATINGS ( $T_A = 25^\circ\text{C}$ unless otherwise specified) (Note 1)			
PARAMETER	SYMBOL	LIMIT	UNIT
Supply Voltage	$V_{CC}$	+28	V
Operating Voltage Range	$V_{OP}$	+4.5 to +24	V
SW, EN Pin Input Voltage	$V_{SW}, V_{EN}$	-0.3 to $V_{CC}$	V
Feedback Pin Voltage	$V_{FB}$	-0.3 to $V_{CC}$	V
Power Dissipation	$P_D$	Internally Limited	W
Output Voltage to Ground	$V_{OUT}$	-1	V
Storage Temperature Range	$T_{ST}$	-65 to +150	$^\circ\text{C}$
Operating Temperature Range	$T_{OP}$	-40 to +125	$^\circ\text{C}$

THERMAL PERFORMANCE (Note 3)			
PARAMETER	SYMBOL	LIMIT	UNIT
Thermal Resistance Junction to Case	$R_{\theta JC}$	15	$^\circ\text{C/W}$
Thermal Resistance Junction to Ambient	$R_{\theta JA}$	70	$^\circ\text{C/W}$

<b>ELECTRICAL SPECIFICATIONS</b> ( $T_A = 25^\circ\text{C}$ unless otherwise specified)							
PARAMETER		SYMBOL	CONDITION	MIN	TYP	MAX	UNIT
Output Feedback	ADJ	$V_{FB}$	$4.5\text{V} \leq V_{IN} \leq 24\text{V}$	1.193	1.23	1.267	V
			$0.2\text{A} \leq I_{LOAD} \leq 2\text{A}$	1.180		1.280	
Efficiency		$\eta$	$V_{IN} = 12\text{V}, I_{LOAD} = 2\text{A}$	76	--	--	%
Output Feedback	5V	$V_{FB}$	$7\text{V} \leq V_{IN} \leq 24\text{V}$	4..80	5	5.20	V
			$0.2\text{A} \leq I_{LOAD} \leq 2\text{A}$	4.75		5.25	
Efficiency		$\eta$	$V_{IN} = 12\text{V}, I_{LOAD} = 2\text{A}$	84	--	--	%
Feedback Bias Current		$I_{FB}$	$V_{FB} = 1.3\text{V}$ (Adj version only)	--	-10	-100	nA
Oscillator Frequency		$F_{OSC}$		127	150	173	kHz
Soft-Start Time		$T_{SS}$	Rising edge of EN on to $I_{CL}$	--	3	--	ms
Current Limit		$I_{CL}$	Pear Current, no outside circuit $V_{FB} = 0\text{V}$ force driver on	2.4	--	--	A
Oscillator Frequency of Short Circuit Protect		$F_{SCP}$	When current limit occurred and $V_{FB} < 0.5\text{V}, T_A = 25^\circ\text{C}$	--	60	--	kHz
Saturation Voltage		$V_{SAT}$	$I_{OUT} = 2\text{A}$ , No outside circuit $V_{FB} = 0\text{V}$ force driver on	--	1.15	1.50	V
ON/OFF Pin Logic Input Threshold Voltage		$V_{IL}$	Low (regulator ON)	--	1.3	0.6	V
		$V_{IH}$	High (regulator OFF)	2.0		--	
ON/OFF Pin Logic Input Current		$I_L$	$V_{LOGIC} = 2.5\text{V}$ (OFF)	--	-0.1	-0.5	$\mu\text{A}$
		$I_H$	$V_{LOGIC} = 0.5\text{V}$ (ON)	--	--	-0.01	
Maximum Duty Cycle (ON)		DC	$V_{FB} = 0\text{V}$ force driver on	--	100	--	%
Maximum Duty Cycle (OFF)			$V_{FB} = 12\text{V}$ force driver off	--	0	--	
Quiescent Current		$I_Q$	$V_{FB} = 12\text{V}$ force driver off	--	4	8	mA
Standby Quiescent Current		$I_{STBY}$	ON/OFF pin=5V	--	45	100	$\mu\text{A}$
			$V_{IN} = 24\text{V}$	--		100	
SW Pin Leakage Current	SW = 0	$I_{SWL}$	No outside circuit, $V_{FB} = 12\text{V}$ force driver off	--	--	-200	$\mu\text{A}$
	SW = -1		$V_{IN} = 24\text{V}$	--	-5	--	mA

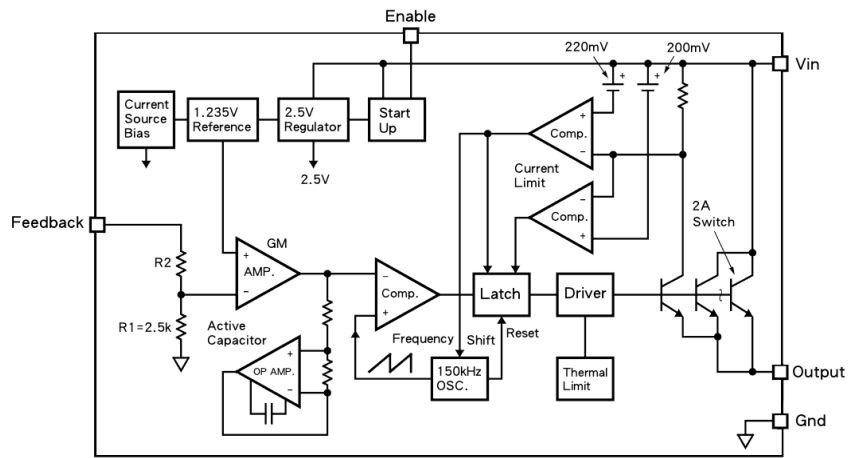
**Note:**

1. Stresses listed as the above "Absolute Maximum Ratings" may cause permanent damage to the device. These are for stress ratings. Functional operation of the device at these or any other conditions beyond those indicated in the operational sections of the specifications is not implied. Exposure to absolute maximum rating conditions for extended periods may remain possibility to affect device reliability.
2. Devices are ESD sensitive. Handling precaution recommended.
3. Thermal Resistance is specified with the component mounted on a low effective thermal conductivity test board in free air at  $T_A = 25^\circ\text{C}$ .

**ORDERING INFORMATION**

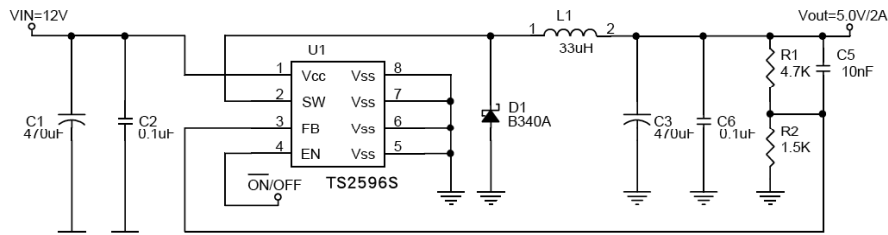
OUTPUT VOLTAGE	PART NO.	PACKAGE	PACKING
Adjustable	TS2596SCS RLG	SOP-8	2,500pcs / 13"Reel
5V	TS2596SCS50 RLG	SOP-8	2,500pcs / 13"Reel

**FUNCTION BLOCK**



**TYPICAL APPLICATION CIRCUIT**

**Adjustable Output Voltage Version**



$$V_{out} = V_{FB} \times \left(1 + \frac{R1}{R2}\right)$$

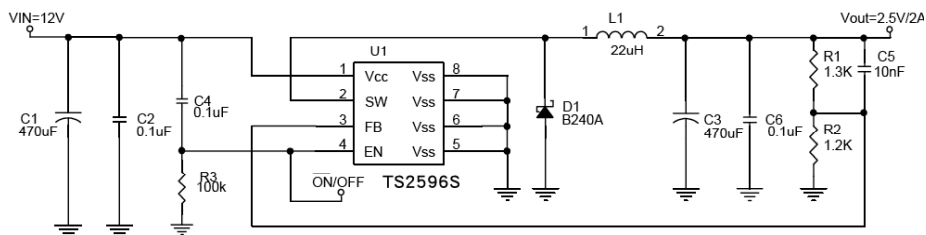
$$V_{FB} = 1.23V$$

$$R2 = 0.47K \sim 2.6K$$

**Resistor select for output voltage setting**

V <sub>OUT</sub>	R1	R2
5V	4.7K	1.5K
	5.6K	1.8K
3.3V	2.5K	1.5K
	3.0K	1.8K
2.5V	1.8K	1.8K
1.8V	0.82K	1.8K

**Adjustable Output Voltage Version with Delayed Startup**

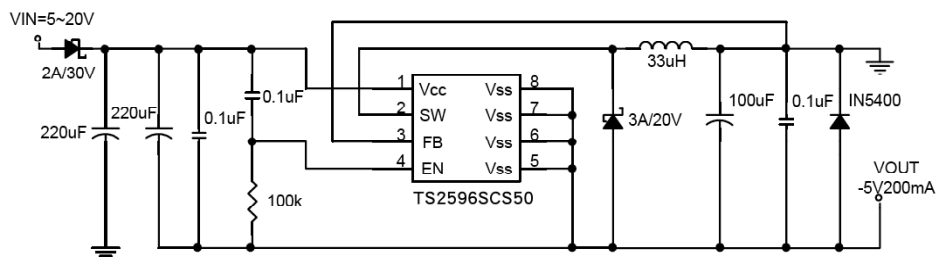


$$V_{out} = V_{FB} \times \left(1 + \frac{R1}{R2}\right)$$

$$V_{FB} = 1.23V$$

$$R2 = 0.47K \sim 2.6K$$

**Inverting -5V Regulator with Delayed Startup**



## APPLICATION INFORMATION

### Pin Function Descriptions

#### V<sub>CC</sub>

This is the positive input supply for the IC switching regulator. A suitable input bypass capacitor must be presented at this pin to minimize voltage transients and to supply the switching currents needed by the regulator.

#### Ground

Circuit ground

#### SW Output

Internal switch. The voltage at this pin switches between  $(+V_{CC} - V_{SAT})$  and approximately  $-0.5V$ , with a duty cycle of approximately  $V_{OUT} / V_{CC}$ . To minimize coupling to sensitive circuitry, the PC board copper area connected to this pin should be minimized.

#### Feedback

Sense the regulated output voltage to complete the feedback loop.

#### Enable

Allow the switching regulator circuit to be shutdown using logic level signals, thus dropping the total input supply current to approximately  $100\mu A$ . Pulling this pin below a threshold voltage of approximately  $1.3V$  turns the regulator on, and pulling this pin above  $1.3V$  (up to a maximum of  $V_{CC}$ ) shuts the regulator down. If this shutdown feature is not needed, the EN pin can be wired to the ground pin.

### Thermal Considerations

The SOP-8 package needs a heat sink under most conditions. The size of the heat sink depends on the input voltage, the output voltage, the load current and the ambient temperature. The TS2596S junction temperature rises above ambient temperature for a 2A load and different input and output voltages.

The data for these curves was taken with the TS2596S (SOP-8) package operating as a buck-switching regulator in an ambient temperature of  $25^{\circ}C$  (still air). These temperature increments are all approximate and are affected by many factors. A higher ambient temperature requires more heat sinker.

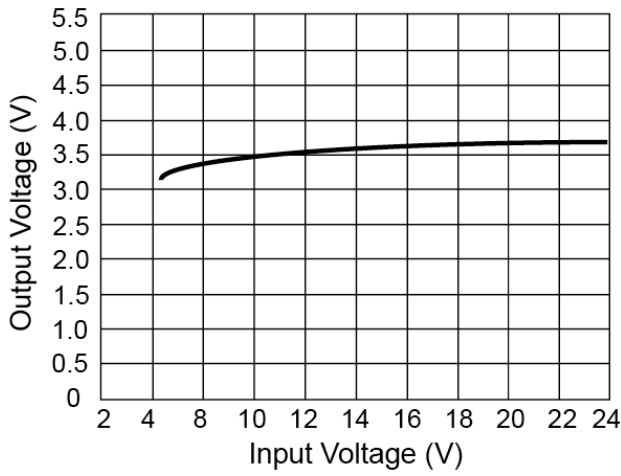
For the best thermal performance, wide copper traces and generous amounts of printed circuit board copper (need connect to the Ground pin) should be used in the board layout, (one exception is the SW pin, which should not have large areas of copper.) Large areas of copper provide the best transfer of heat (lower thermal resistance) to the surrounding air, and moving air lowers the thermal resistance even further.

Package thermal resistance and junction temperature increments are all approximate. The increments are affected by a lot of factors. Some of these factors include board size, shape, thickness, position, location, and even board temperature. Other factors are, trace width, total printed circuit copper area, copper thickness, single or double-sided, multi-layer board and the amount of solder on the board.

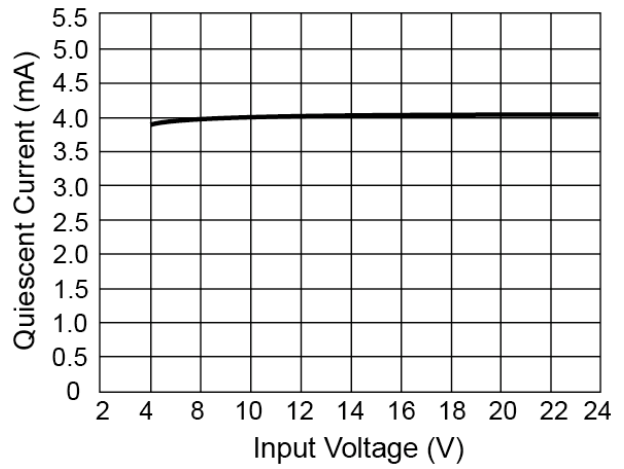
The effectiveness of the PC board to dissipate heat also depends on the size, quantity and spacing of other components on the board, as well as whether the surrounding air is still or moving. Furthermore, some of these components such as the catch diode will add heat to the PC board and the heat can vary as the input voltage changes. For the inductor, depending on the physical size, type of core material and the DC resistance, it could either act as a heat sink taking heat away from the board, or it could add heat to the board.

**CHARACTERISTICS CURVES**

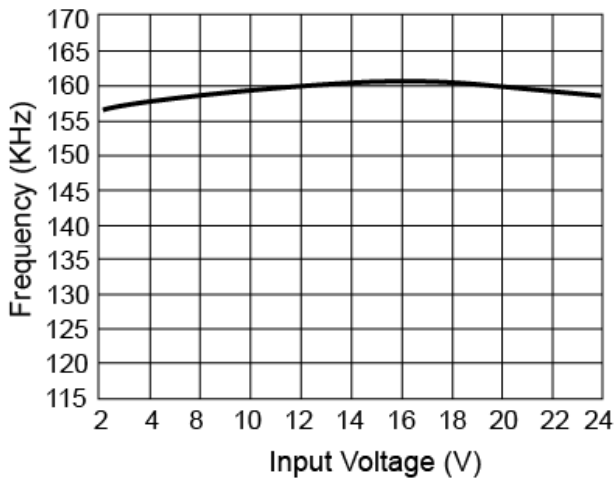
( $T_C = 25^\circ\text{C}$  unless otherwise noted)



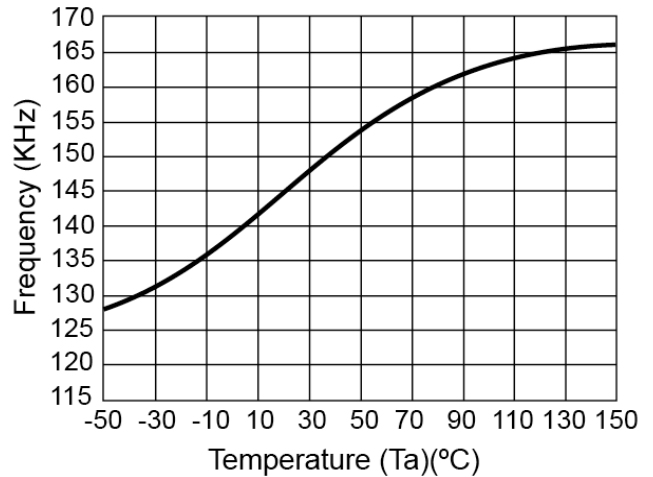
**Figure 1 –  $V_{OUT}$  vs.  $V_{IN}$**



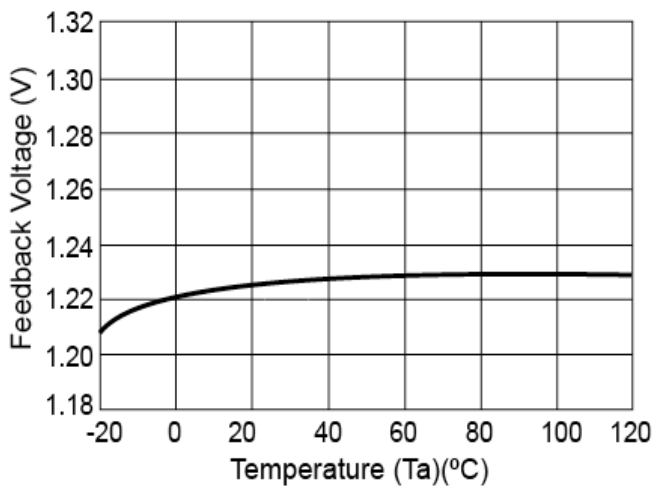
**Figure 2 – Quiescent Current vs.  $V_{IN}$**



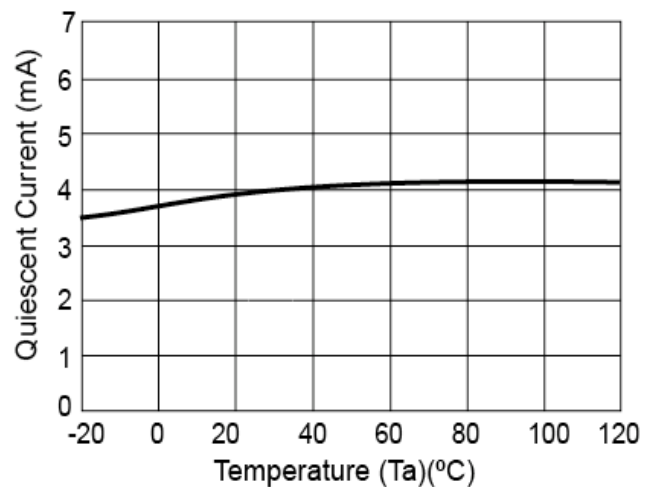
**Figure 3 – Frequency vs.  $V_{IN}$**



**Figure 4 – Frequency vs. Temperature**



**Figure 5 – Feedback Voltage vs. Temperature**



**Figure 6 – Quiescent Current vs. Temperature**

**CHARACTERISTICS CURVES**

( $T_C = 25^\circ\text{C}$  unless otherwise noted)

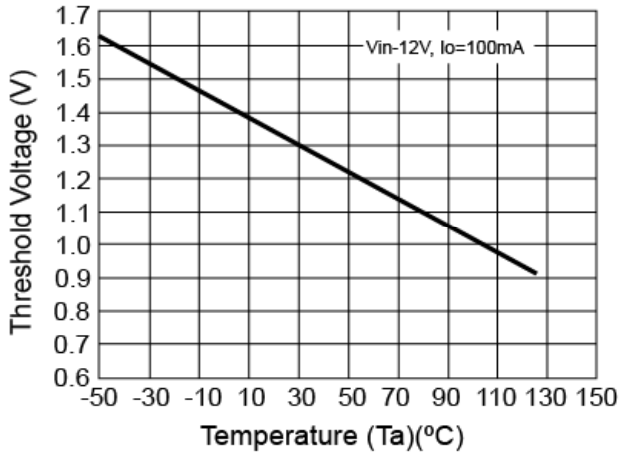


Figure 7 – Threshold Voltage vs. Temperature

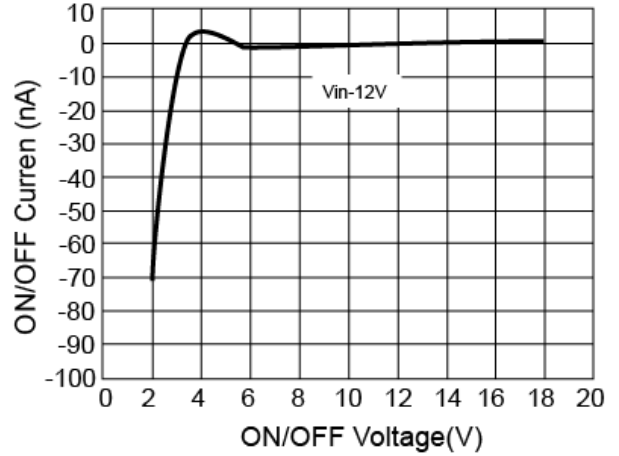


Figure 8 – ON/OFF Current vs. Voltage

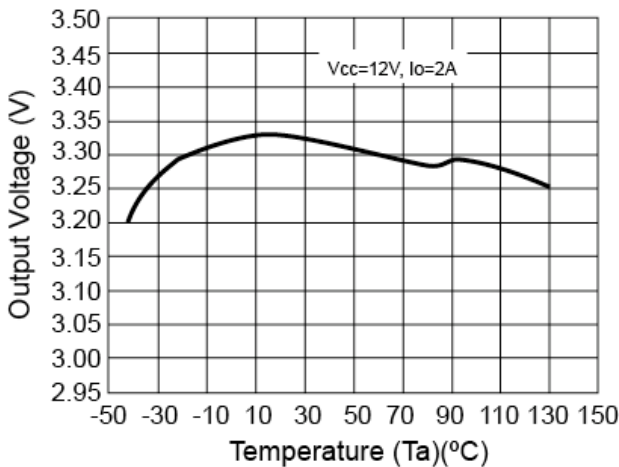


Figure 9 – Output Voltage vs. Temperature

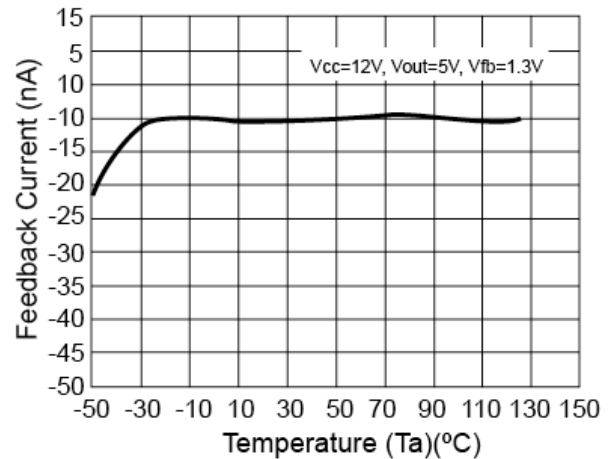


Figure 10 – Feedback Current vs. Temperature

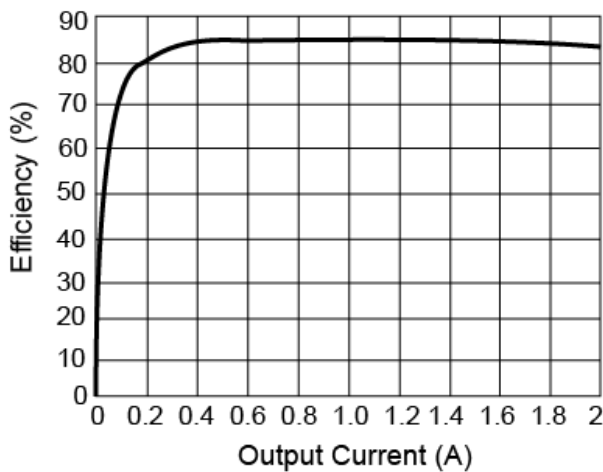


Figure 11 – Efficiency ( $V_{IN}=12\text{V}$ ,  $V_{OUT}=3.3\text{V}$ )

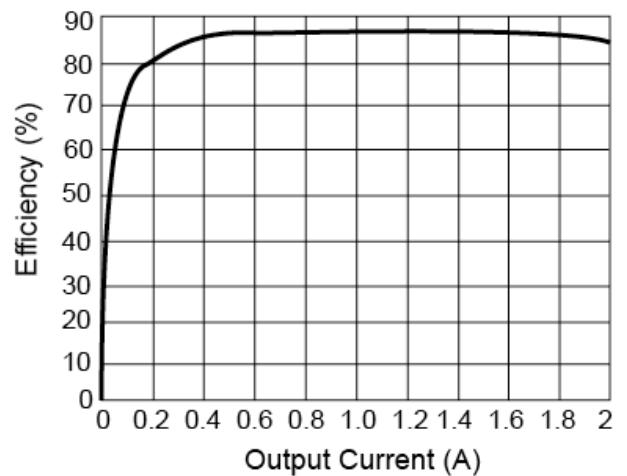
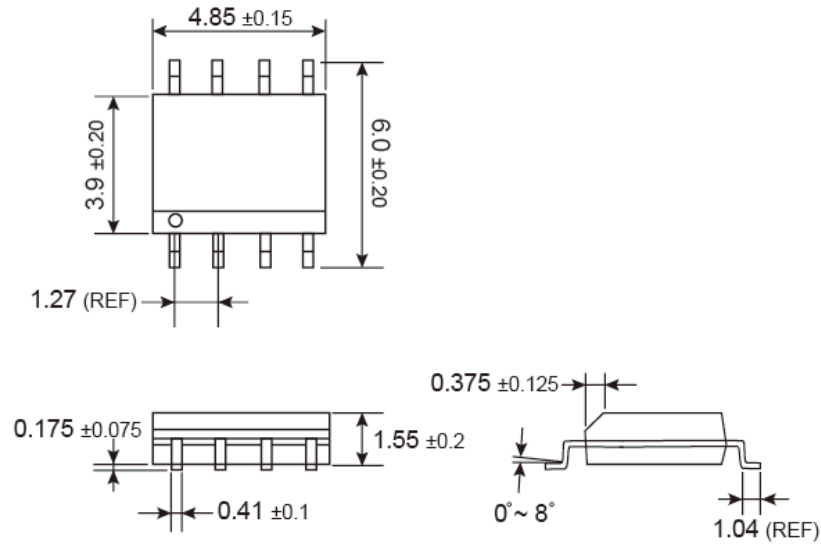


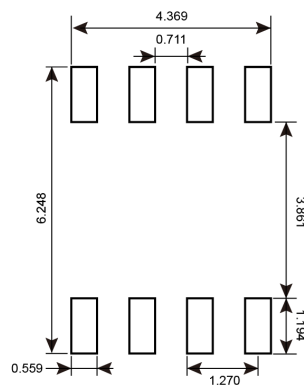
Figure 12 – Efficiency ( $V_{IN}=12\text{V}$ ,  $V_{OUT}=5\text{V}$ )

**PACKAGE OUTLINE DIMENSIONS** (Unit: Millimeters)

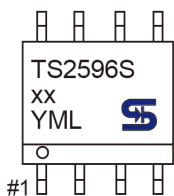
**SOP-8**



**SUGGESTED PAD LAYOUT** (Unit: Millimeters)



**MARKING DIAGRAM**



- XX** = Output Voltage
  - 50** =5.0V
  - Blank** = Adjustable
- Y** = Year Code
- M** = Month Code for Halogen Free Product
  - O** =Jan    **P** =Feb    **Q** =Mar    **R** =Apr
  - S** =May    **T** =Jun    **U** =Jul    **V** =Aug
  - W** =Sep    **X** =Oct    **Y** =Nov    **Z** =Dec
- L** = Lot Code



## Notice

Specifications of the products displayed herein are subject to change without notice. TSC or anyone on its behalf, assumes no responsibility or liability for any errors or inaccuracies.

Information contained herein is intended to provide a product description only. No license, express or implied, to any intellectual property rights is granted by this document. Except as provided in TSC's terms and conditions of sale for such products, TSC assumes no liability whatsoever, and disclaims any express or implied warranty, relating to sale and/or use of TSC products including liability or warranties relating to fitness for a particular purpose, merchantability, or infringement of any patent, copyright, or other intellectual property right.

The products shown herein are not designed for use in medical, life-saving, or life-sustaining applications. Customers using or selling these products for use in such applications do so at their own risk and agree to fully indemnify TSC for any damages resulting from such improper use or sale.