



Chipsmall Limited consists of a professional team with an average of over 10 year of expertise in the distribution of electronic components. Based in Hongkong, we have already established firm and mutual-benefit business relationships with customers from,Europe,America and south Asia,supplying obsolete and hard-to-find components to meet their specific needs.

With the principle of “Quality Parts,Customers Priority,Honest Operation,and Considerate Service”,our business mainly focus on the distribution of electronic components. Line cards we deal with include Microchip,ALPS,ROHM,Xilinx,Pulse,ON,Everlight and Freescale. Main products comprise IC,Modules,Potentiometer,IC Socket,Relay,Connector.Our parts cover such applications as commercial,industrial, and automotives areas.

We are looking forward to setting up business relationship with you and hope to provide you with the best service and solution. Let us make a better world for our industry!



## Contact us

Tel: +86-755-8981 8866 Fax: +86-755-8427 6832

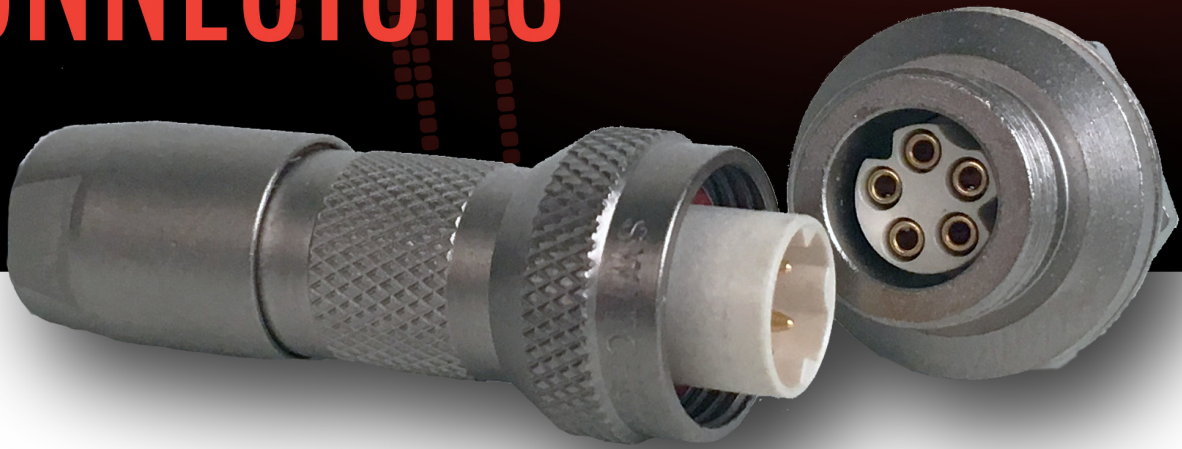
Email & Skype: info@chipsmall.com Web: www.chipsmall.com

Address: A1208, Overseas Decoration Building, #122 Zhenhua RD., Futian, Shenzhen, China





TS SERIES  
**DURA-TWIST™**  
THREADED LOCKING  
**CONNECTORS**



**Switchcraft®**  
**CONXALL®**

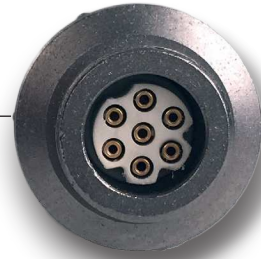
HARSH ENVIRONMENT CONNECTIVITY SOLUTIONS

Durable nickel plated brass housing is sealed to IP68



Threaded locking mechanism for a secure and easy connection

Available with up to 9 contacts



Rear or front mounting options available on panel mounts



Cable to cable in-line connector also available

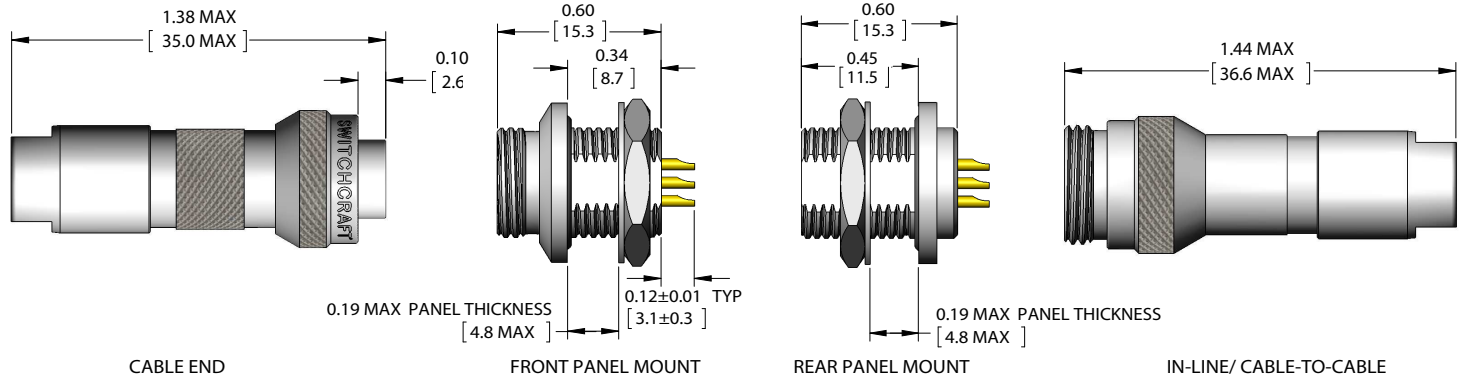
## FEATURES

- Easy, blind mating
- Compact, 1/2" connector size
- Waterproof to IP68
- Can withstand the temperature and pressure of autoclave sterilization
- 360 ° EMI Shielding
- Available with #20 contacts or #26 contacts
- Rear mount or front mount panels available
- Contacts can be soldered or crimped (shipped unassembled, assembly tools available)
- Factory molded cables available with straight or right angle cable end options

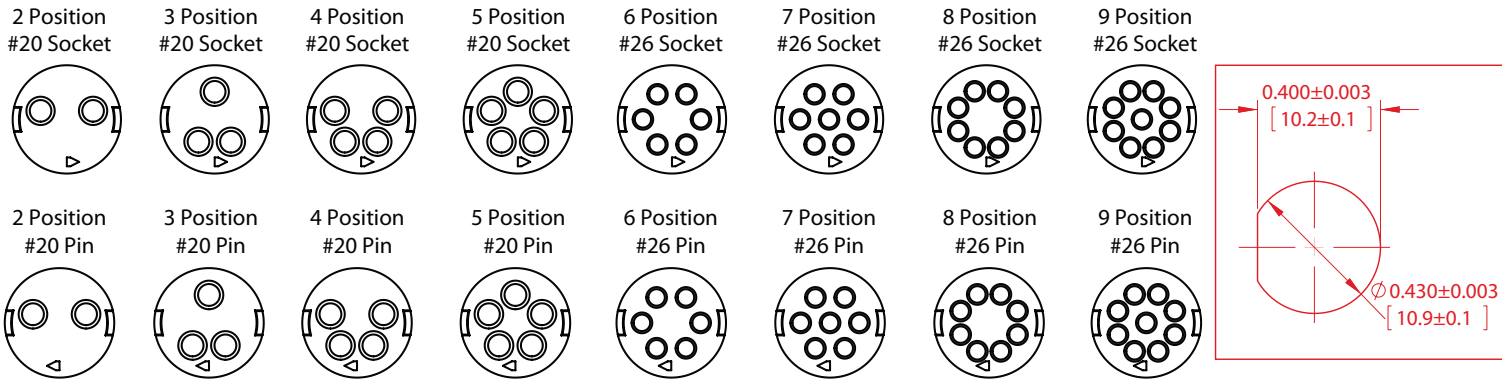
## APPLICATIONS

- Medical devices
- Audio connections
- Outdoor data acquisition devices
- Test and Measurement
- Agriculture electronics
- Safety and Security
- Harsh environments
- General electronic applications

## OVERALL DIMENSIONS



## CONTACT LAYOUTS (REAR/WRING SIDE) / RECOMMENDED PANEL CUTOUT



## ORDERING CODE

**TS2 X X X XX X - X**

TS2 Series

Connector Type:

- C - Cable-End
- P - Panel Mount
- L - Cable-to-Cable

# of contacts:

- 2-5 for #20
- 6-9 for #26

Gender:

- M - Male (Pin)
- F - Female (Socket)

Options:

- B - Rear Mount (panel only)
- K - Kit Packaging (one unit/bag)
- A - Factory Installed Contacts
- [BLANK] - Bulk Packaging

Clamp Set per Cable O.D. Range  
for Cable-End and Cable-to-Cable only:

- A - 0.110 - 0.140 [2.8 - 3.6]
- B - 0.140 - 0.180 [3.6 - 4.6]
- C - 0.180 - 0.216 [4.6 - 5.5]

Contact Size:

- 20 - 20, 22, 24, 26 AWG wires
- 26 - 26, 28, 30 AWG wires

### Sealing Caps (Optional)

Cable End: **TS2CCAP**

Panel: **TS2PCAP**

Cable to Cable: **TS2LCAP**

# SPECIFICATIONS

## MECHANICAL:

Mating / Locking Type:	Threaded coupling
Life:	5,000 cycles minimum
Operating Forces:	10 lb. [44.5 N] max. insertion/withdrawal
Vibration:	Mil-Std 202G Method 201A
Panel Hex Nut Torque:	40 in-lb [4.5 Nm] maximum
Cable Securing System:	Threaded on metal clamp

## ELECTRICAL:

Voltage Rating:	125 V AC/DC for 2-5 contacts 30 V AC/DC for 6-9 contacts
Current Rating:	10A max for 2 position 2A max for 9 position Refer to website for detailed information
Insulation Resistance:	1000 MΩ minimum
Contact Resistance:	10 mΩ typical

## ENVIRONMENTAL:

Temperature Limits:	-40°C to +135°C (-40°F to +275°F)
Operating Temperature:	Refer to website for detailed information
Moisture Resistance:	Mil-Std 202G Method 106G
Insulation Resistance:	Mil-Std 202G Method 302
Thermal Shock:	Mil-Std 202G Method 107G
Salt Atmosphere :	Mil-Std 202G Method 101E
Ingress Protection :	IP66, IP67, IP68 per IEC60529, NEMA 250 6P

## MATERIAL:

Outer Shell:	Copper alloy, electroless nickel plated
Hardware:	Copper alloy, nickel plated
Interior Metal Components:	Copper alloy, nickel plated
Electrical Insulator:	LCP, natural
Seal O-rings:	Thermoplastic elastomer
Contacts:	Copper Alloy, gold plated, with stainless steel locking clip