



Chipsmall Limited consists of a professional team with an average of over 10 year of expertise in the distribution of electronic components. Based in Hongkong, we have already established firm and mutual-benefit business relationships with customers from,Europe,America and south Asia,supplying obsolete and hard-to-find components to meet their specific needs.

With the principle of “Quality Parts,Customers Priority,Honest Operation,and Considerate Service”,our business mainly focus on the distribution of electronic components. Line cards we deal with include Microchip,ALPS,ROHM,Xilinx,Pulse,ON,Everlight and Freescale. Main products comprise IC,Modules,Potentiometer,IC Socket,Relay,Connector.Our parts cover such applications as commercial,industrial, and automotives areas.

We are looking forward to setting up business relationship with you and hope to provide you with the best service and solution. Let us make a better world for our industry!



Contact us

Tel: +86-755-8981 8866 Fax: +86-755-8427 6832

Email & Skype: info@chipsmall.com Web: www.chipsmall.com

Address: A1208, Overseas Decoration Building, #122 Zhenhua RD., Futian, Shenzhen, China



A 1.55V to 5.25V, 1.35µA, 1.7ms to 33hrs Silicon Timer

FEATURES

- ◆ Ultra Low Supply Current: 1.35µA at 49Hz
- ◆ Supply Voltage Operation: 1.55V to 5.25V
- ◆ Single Resistor Sets FOUT at 50% Duty Cycle
- ◆ 3-pin User-Programmable FOUT Period:
 - $1.7\text{ms} \leq t_{\text{FOUT}} \leq 33\text{hrs}$
- ◆ FOUT Period Accuracy: 3%
- ◆ FOUT Period Drift: 0.02%/°C
- ◆ Single Resistor Sets Output Frequency
- ◆ Separate PWM Control and Buffered Output
- ◆ FOUT/PWMOUT Output Driver Resistance: 160Ω

DESCRIPTION

The TS3005 is a single-supply, second-generation oscillator/timer fully specified to operate at a supply voltage range of 1.55V to 5.25V while consuming less than 1.5µA(max) supply current. Requiring only a resistor to set the base output frequency (or output period) at 49Hz (or 20.5ms) with a 50% duty cycle, the TS3005 timer/oscillator is compact, easy-to-use, and versatile. Optimized for ultra-long life, low frequency, battery-powered/portable applications, the TS3005 joins the TS3001, TS3002, TS3003, TS3004, and TS3006 in the CMOS timer family of “NanoWatt Analog™” high-performance analog integrated circuits.

The TS3005 output period can be user-adjusted from 1.7ms to 33hrs without additional components. In addition, the TS3005 represents a 25% reduction in pcb area and a factor-of-10 lower power consumption over other CMOS-based integrated circuit oscillators/timers. When compared against industry-standard 555-timer-based products, the TS3005 offers up to 84% reduction in pcb area and over three orders of magnitude lower power consumption.

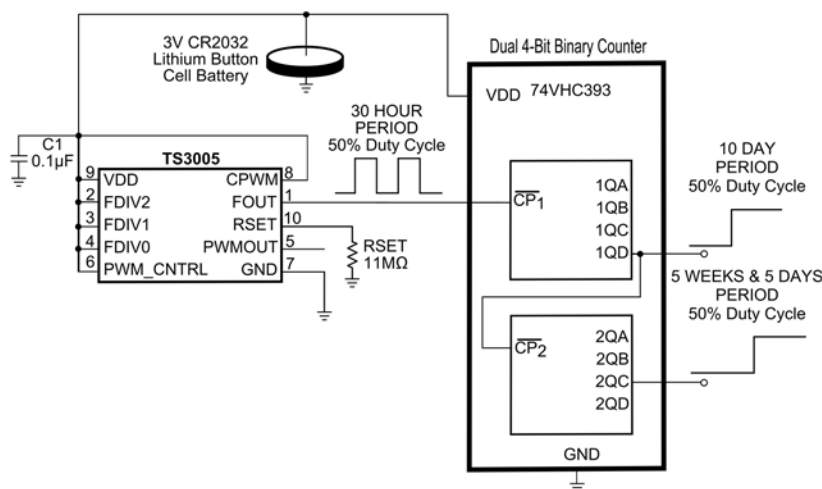
The TS3005 is fully specified over the -40°C to +85°C temperature range and is available in a low-profile, 10-pin 3x3mm TDFN package with an exposed back-side paddle.

APPLICATIONS

- Portable and Battery-Powered Equipment
- Low-Parts-Count Nanopower Oscillator
- Compact Micropower Replacement for Crystal and Ceramic Oscillators
- Micropower Pulse-width Modulation Control
- Micropower Pulse-position Modulation Control
- Micropower Clock Generation
- Micropower Sequential Timing

TYPICAL APPLICATION CIRCUIT

TS3005, 5 Weeks and 5 Days Counter Circuit



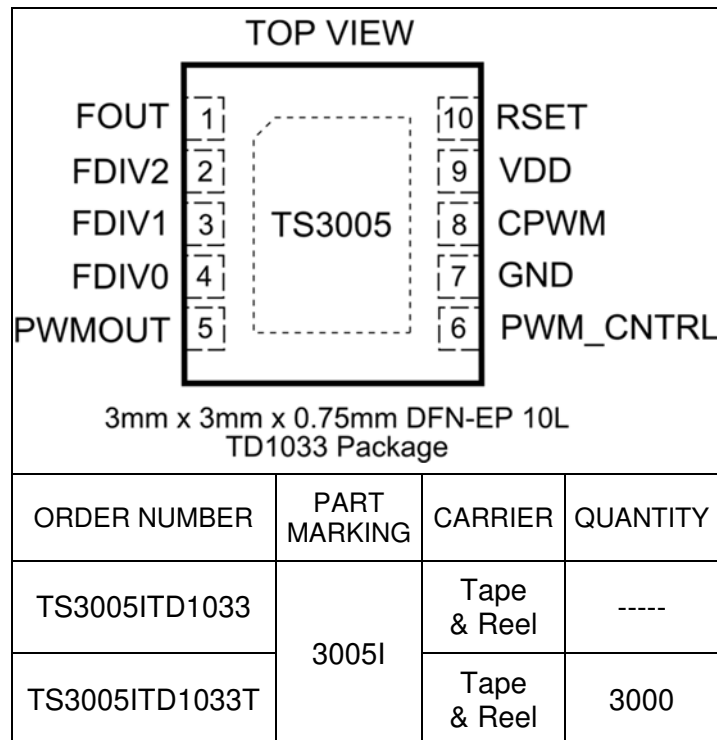
ABSOLUTE MAXIMUM RATINGS

V _{DD} to GND.....	-0.3V to +5.5V
PWM_CNTRL to GND.....	-0.3V to +5.5V
FOUT, PWMOUT to GND.....	-0.3V to +5.5V
RSET to GND.....	-0.3V to +2.5V
CPWM to GND.....	-0.3V to +5.5V
FDIV to GND.....	-0.3V to +5.5V

Continuous Power Dissipation (T _A = +70°C)	
10-Pin TDFN (Derate at 13.48mW/°C above +70°C)...	1078mW
Operating Temperature Range.....	-40°C to +85°C
Storage Temperature Range.....	-65°C to +150°C
Lead Temperature (Soldering, 10s).....	+300°C

Electrical and thermal stresses beyond those listed under “Absolute Maximum Ratings” may cause permanent damage to the device. These are stress ratings only and functional operation of the device at these or any other condition beyond those indicated in the operational sections of the specifications is not implied. Exposure to any absolute maximum rating conditions for extended periods may affect device reliability and lifetime.

PACKAGE/ORDERING INFORMATION



Lead-free Program: Silicon Labs supplies only lead-free packaging.

Consult Silicon Labs for products specified with wider operating temperature ranges.

ELECTRICAL CHARACTERISTICS

$V_{DD} = 3V$, $V_{PWM_CNTRL} = V_{DD}$, $R_{SET} = 4.32M\Omega$, $R_{LOAD(FOUT)} = \text{Open Circuit}$, $C_{LOAD(FOUT)} = 0pF$, $C_{LOAD(PWM)} = 0pF$, $C_{PWM} = 47pF$, $FDIV2:0 = 000$ unless otherwise noted. Values are at $T_A = 25^\circ C$ unless otherwise noted. See Note 1.

PARAMETER	SYMBOL	CONDITIONS	MIN	TYP	MAX	UNITS
Supply Voltage	V_{DD}		1.55		5.25	V
Supply Current	I_{DD}	$CPWM = V_{DD}$		1.35	1.5	μA
		$-40^\circ C \leq T_A \leq 85^\circ C$		1.47	1.7	
		$-40^\circ C \leq T_A \leq 85^\circ C$			2.1	
FOUT Period	t_{FOUT}		19.95	20.5	21.05	ms
		$-40^\circ C \leq T_A \leq 85^\circ C$	19.4		21.5	
FOUT Period Line Regulation	$\Delta t_{FOUT}/V$	$1.55V \leq V_{DD} \leq 5.25V$		0.17		%/V
FOUT Duty cycle			49		51	%
FOUT Period Temperature Coefficient	$\Delta t_{FOUT}/\Delta T$			0.02		%/°C
PWMOUT Duty Cycle	DC(PWMOUT)		0.08		0.12	%
		$V_{PWM_CNTRL} = 0V$	0.02		0.03	
PWMOUT Duty Cycle Line Regulation	$\Delta DC(PWMOUT)/V$	$1.55V < V_{DD} < 5.25V$, $FDIV2:0 = 000$		-3		%
C_{PWM} Sourcing Current	I_{CPWM}	$FDIV2:0 = 000, 001$	930		1050	nA
		$-40^\circ C \leq T_A \leq 85^\circ C$	810		1150	
		$FDIV2:0 \neq 000, 001$		97		nA
UVLO Hysteresis	V_{UVLO}	$(V_{DD} = 1.55V) - (V_{DD_SHUTDOWN VOLTAGE})$	150		250	mV
FOUT, PWMOUT Rise Time	t_{RISE}	See Note 2, $C_L = 15pF$		10		ns
FOUT, PWMOUT Fall Time	t_{FALL}	See Note 2, $C_L = 15pF$		10		ns
FOUT Jitter		See Note 3		0.001		%
RSET Pin Voltage	$V(RSET)$			0.3		V
FDIV Input Current	I_{FDIV}				10	nA
		$-40^\circ C \leq T_A \leq 85^\circ C$			20	
Maximum Oscillator Frequency	F_{osc}	$RSET = 360K$			586	Hz
High Level Output Voltage, FOUT and PWMOUT	$V_{DD} - V_{OH}$	$I_{OH} = 1mA$		160		mV
Low Level Output Voltage, FOUT and PWMOUT	V_{OL}	$I_{OL} = 1mA$		140		mV
Dead Time	T_{DT}	FOUT edge falling and PWMOUT edge rising		106		ns

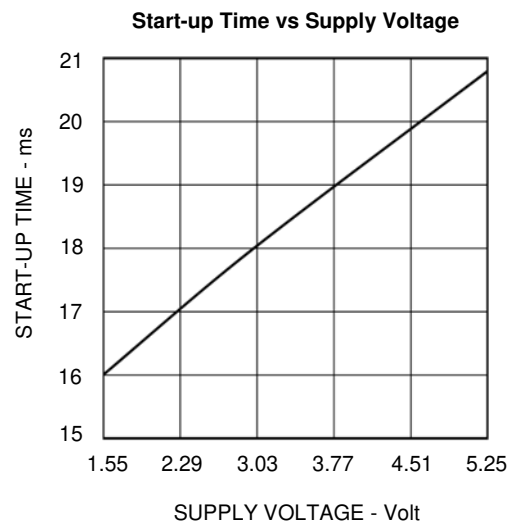
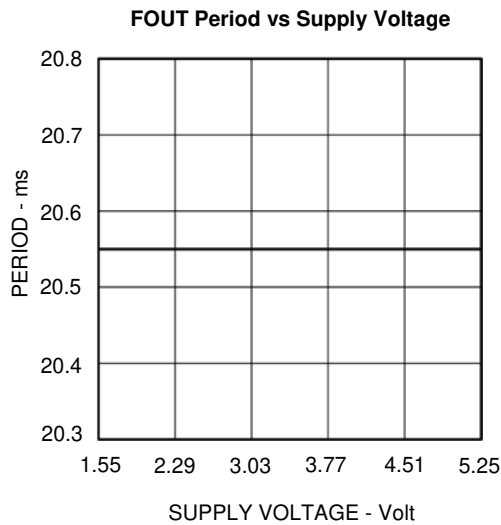
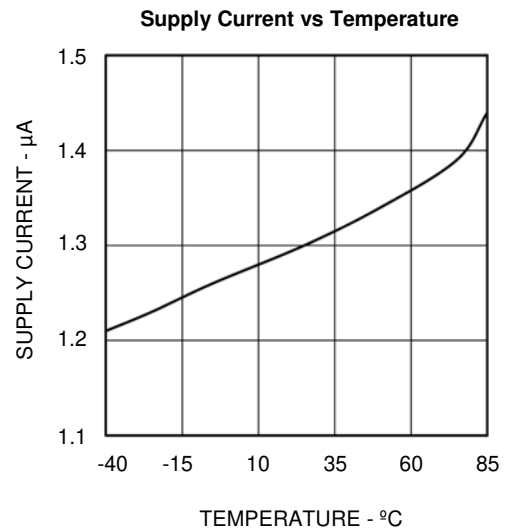
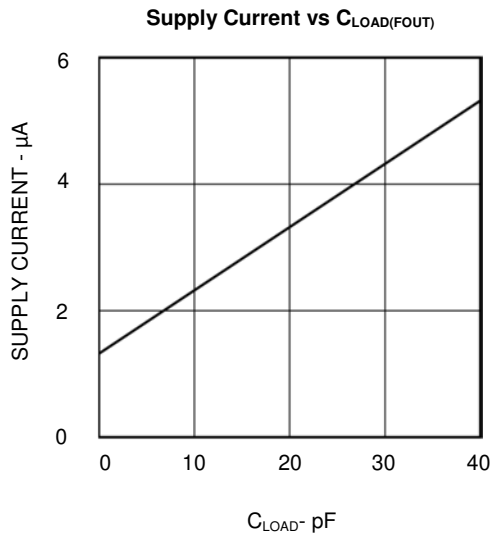
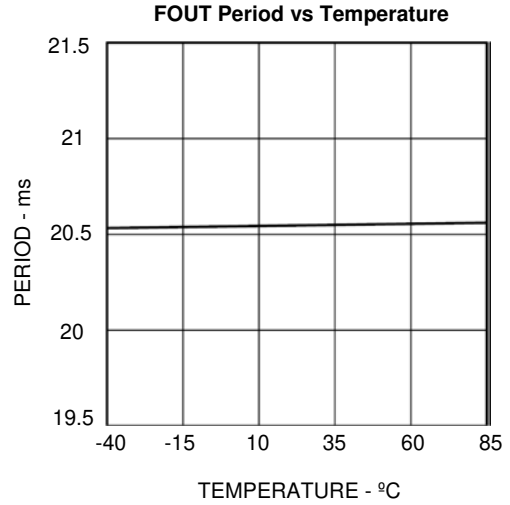
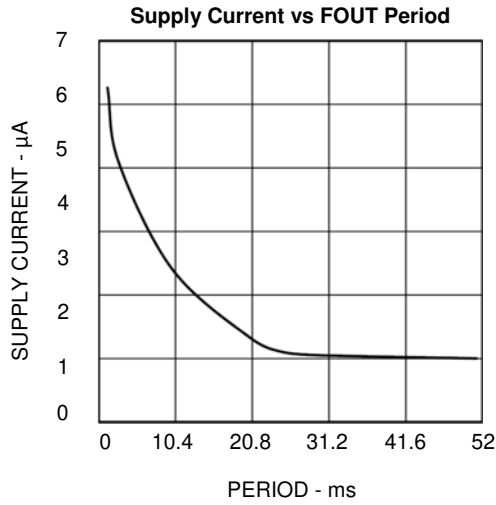
Note 1: All devices are 100% production tested at $T_A = +25^\circ C$ and are guaranteed by characterization for $T_A = T_{MIN}$ to T_{MAX} , as specified.

Note 2: Output rise and fall times are measured between the 10% and 90% of the V_{DD} power-supply voltage levels. The specification is based on lab bench characterization and is not tested in production.

Note 3: Timing jitter is the ratio of the peak-to-peak variation of the period to the mean of the period. The specification is based on lab bench characterization and is not tested in production.

TYPICAL PERFORMANCE CHARACTERISTICS

$V_{DD} = 3V$, $V_{PWM_CNTRL} = V_{DD}$, $R_{SET} = 4.32M\Omega$, $R_{LOAD(FOUT)} = \text{Open Circuit}$, $C_{LOAD(FOUT)} = 0pF$, $C_{LOAD(PWM)} = 0pF$, $CPWM = V_{DD}$, $FDIV2:0 = 000$ unless otherwise noted. Values are at $T_A = 25^\circ C$ unless otherwise noted.

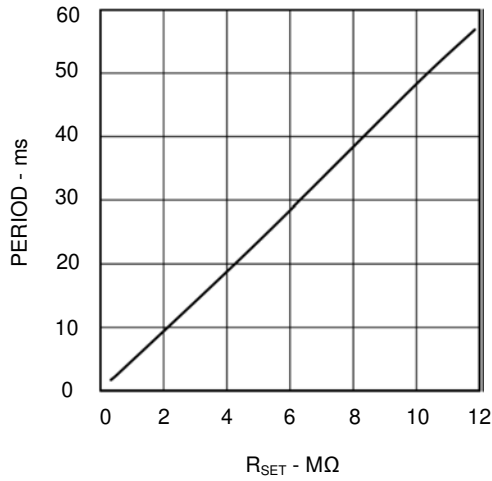




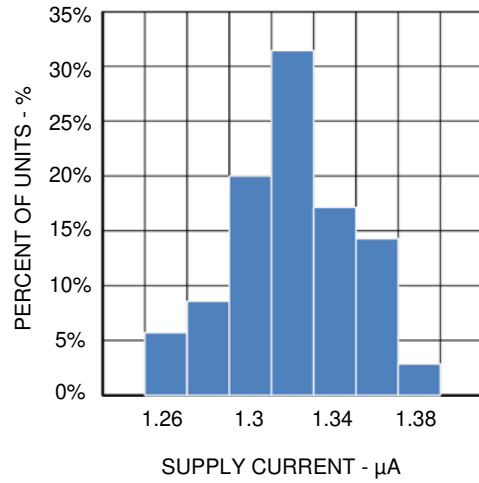
TYPICAL PERFORMANCE CHARACTERISTICS

$V_{DD} = 3V$, $V_{PWM_CNTRL} = V_{DD}$, $R_{SET} = 4.32M\Omega$, $R_{LOAD(FOUT)} = \text{Open Circuit}$, $C_{LOAD(FOUT)} = 0pF$, $C_{LOAD(PWM)} = 0pF$, $CPWM = V_{DD}$, $FDIV2:0 = 000$ unless otherwise noted. Values are at $T_A = 25^\circ C$ unless otherwise noted.

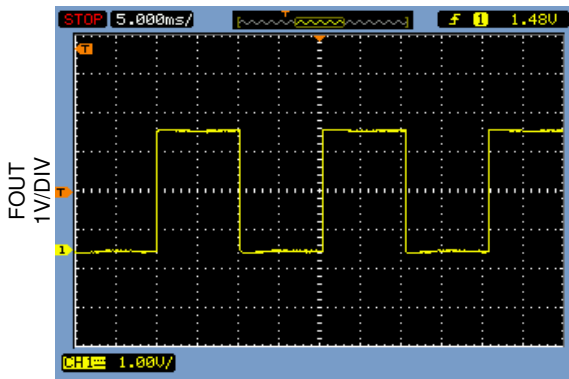
Period vs R_{SET}



Supply Current Distribution

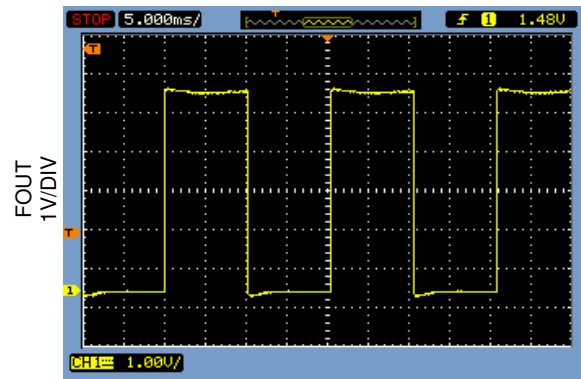


FOUT
 $V_{DD} = 3V$, $C_{LOAD} = 15pF$



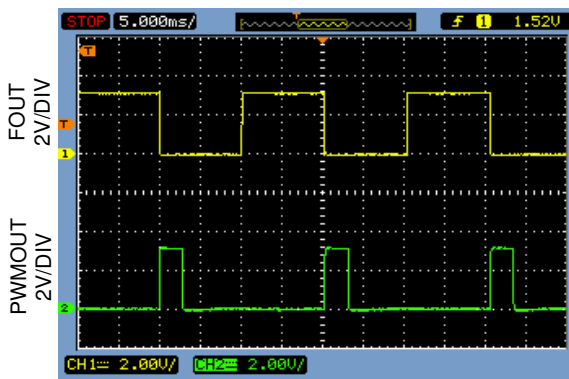
5ms/DIV

FOUT
 $V_{DD} = 5V$, $C_{LOAD} = 15pF$



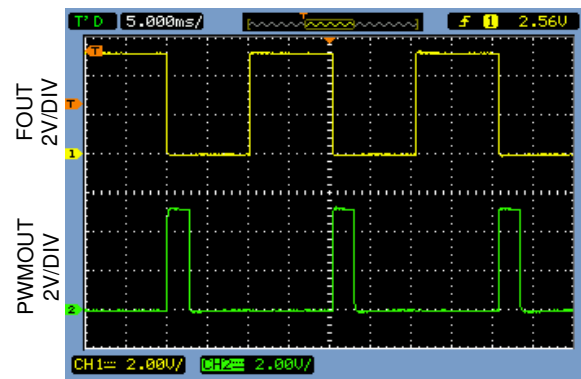
5ms/DIV

FOUT and PWMOUT
 $V_{DD} = 3V$, $C_{LOAD} = 15pF$, $V_{PWM_CNTRL} = V_{DD}$, $C_{PWM} = 10nF$



5ms/DIV

FOUT and PWMOUT
 $V_{DD} = 5V$, $C_{LOAD} = 15pF$, $V_{PWM_CNTRL} = V_{DD}$, $C_{PWM} = 10nF$

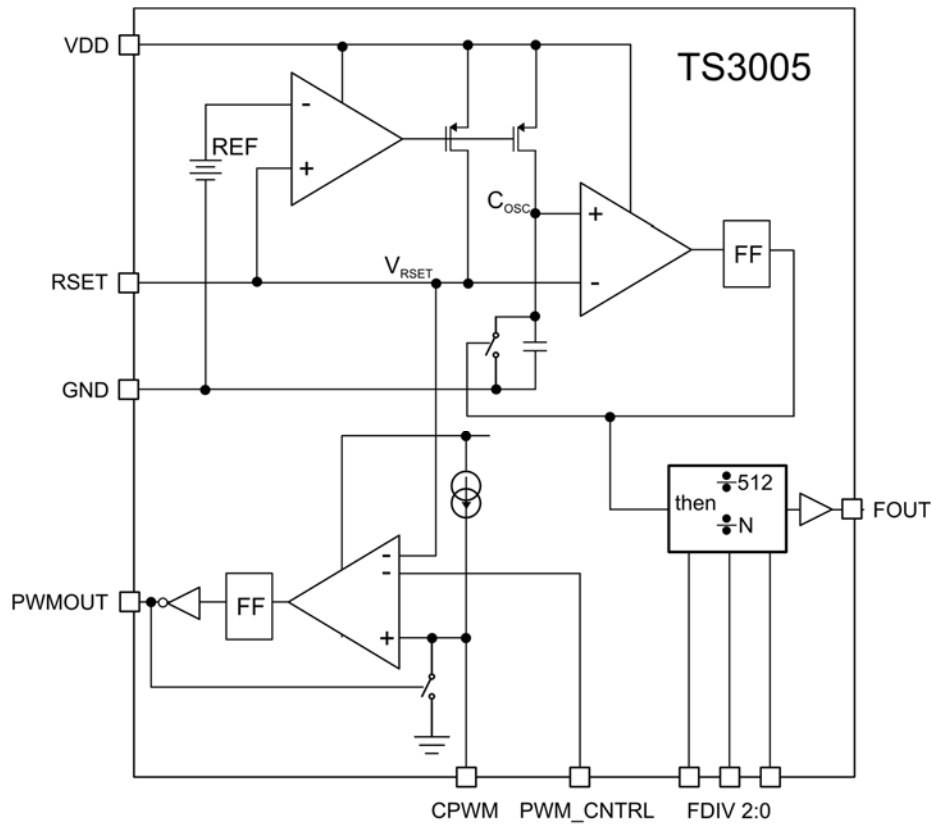


5ms/DIV

PIN FUNCTIONS

PIN	NAME	FUNCTION
1	FOUT	Fixed Frequency Output. A push-pull output stage with an output resistance of 160Ω. FOUT pin swings from GND to VDD. For lowest power operation, capacitance loads should be minimized and resistive loads should be maximized.
2,3,4	FDIV2:0	Frequency Divider Input. Various combinations of these inputs will change the FOUT frequency for a fixed value of RSET. Refer to Table 1.
5	PWMOUT	Pulse-width Modulated Output. A push-pull output stage with an output resistance of 160Ω, the PWMOUT pin is wired anti-phase with respect to FOUT and swings from GND to VDD. For lowest power operation, capacitance loads should be minimized and resistive loads should be maximized.
6	PWM_CNTRL	PWM Output Pulse Control Pin. Applying a voltage between GND and V_{RSET} will reduce the duty cycle of the PWMOUT output that is set by the capacitor connected to the CPWM pin. Connect PWM_CNTRL to VDD for fixed PWMOUT output pulse time (determined only by capacitor at CPWM).
7	GND	Ground. Connect this pin to the system's analog ground plane.
8	CPWM	PWMOUT Pulse Width Programming Capacitance Input. A target capacitance connected from this pin to GND sets the duty cycle of the PMW output. Minimize any stray capacitance on this pin. The voltage on this pin will swing from GND to V_{RSET} . Connect CPWM to VDD to disable PWM function (saves PWM current).
9	VDD	Power Supply Voltage Input. The supply voltage range is $1.55V \leq V_{DD} \leq 5.25V$. Bypass this pin with a 0.1uF ceramic coupling capacitor in close proximity to the TS3005.
10	RSET	FOUT Programming Resistor Input. A 4.32MΩ resistor connected from this pin to ground sets the T3005's internal oscillator's output period to 20ms (49Hz). For optimal performance, the composition of the RSET resistor shall be consistent with a tolerance of 1% or lower. The RSET pin voltage is approximately 0.3V.

BLOCK DIAGRAM



FDIV 2:0	$t_{FOUT}(s)$	FOUT (Hz)	I_{CPWM} (A)
000	1.7ms-56.88ms	586-17.578	1 μ
001	13.65ms-455.16ms	73.25-2.197	1 μ
010	109.17ms-3.64	9.16-0.2746	100n
011	877.19ms-29.15	1.14-0.0343	100n
100	7.01-233.1	0.143-0.00429	100n
101	55.94-31.09min	0.0178-0.536mHz	100n
110	7.49min-4.146hrs	0.0022-0.0670mHz	100n
111	59.67min-33.1hrs	0.279mHz-8.381 μ Hz	100n

Table 1: FOUT and PWMOUT Frequency Range per FDIV2:0 Combination

THEORY OF OPERATION

The TS3005 is a user-programmable oscillator where the period of the square wave at its FOUT terminal is generated by an external resistor connected to the RSET pin. The output period is given by:

$$t_{FOUT} (s) = \frac{8^{FDIV2:0} \times RSET \times 512}{1.08E11}$$

Equation 1. FOUT Frequency Calculation where FDIV2:0 = 0 to 7

With an RSET = 4.32MΩ and FDIV2:0=111, the FOUT period is approximately 715.88 minutes with a 50% duty cycle. As design aids, Tables 2 lists TS3004's typical FOUT period for various standard values for RSET and FDIV2:0 = 111(7).

The output period can be user-adjusted from 1.7ms to 33hrs without additional components. Frequency divider inputs FDIV2:0 can be set to a logic state HIGH or LOW in order to set the desired frequency as shown in to Table 1.

The TS3005 also provides a separate PWM output signal at its PWMOUT terminal that is anti-phase with respect to FOUT. A dead time of approximately 106ns exists between FOUT and PWMOUT. To adjust the pulse width of the PWMOUT output, a single capacitor can be placed at the CPWM pin. To determine the capacitance needed for a desired pulse width, the following equation is to be used:

$$CPWM(F) = \frac{\text{Pulse Width}(s) \times I_{CPWM}}{V_{CPWM} \cong 300mV}$$

Equation 2. CPWM Capacitor Calculation

where I_{CPWM} and V_{CPWM} is the current supplied and voltage applied to the CPWM capacitor, respectively. The pulse width is determined based on the period of FOUT and should never be greater than the period at FOUT. Make sure the PWM_CNTRL pin is set to at least 400mV when calculating the pulse width of PWMOUT. Note V_{CPWM} is approximately 300mV, which is the RSET voltage. Also note that I_{CPWM} is either 1μA or 100nA. Refer to Table 1.

The PWMOUT output pulse width can be adjusted further after selecting a CPWM capacitor This can be achieved by applying a voltage to the PWM_CNTRL pin between V_{RSET} and GND. With a voltage of at least V_{RSET}, the pulse width is set based on Equation 2. For example, with a period of 20.5ms(49Hz) a 10nF capacitor at the CPWM pin generates a pulse width of approximately 3ms. This can be calculated

RSET (MΩ)	t _{FOUT}
0.360	59.67min
1	1.09hrs
2.49	6.87hrs
4.32	11.93hrs
6.81	18.81hrs
9.76	26.93hrs
12	33.1hrs

Table 2: t_{FOUT} VS RSET for FDIV2:0 = 111(7)

using equation 2. By reducing the PWM_CNTRL voltage from V_{RSET} ≅ 300mV to GND, the pulse width can be reduced further. Note that as the FOUT frequency increases, the amount of pulse width reduction reduces and vice versa. Furthermore, if the PWMOUT output is half the frequency of the FOUT output, this means your CPWM capacitor is too large and as a result, the pulse width is greater than the FOUT period. In this case, use Equation 2 and reduce the capacitor value to less than the period. Connect CPWM to VDD to disable the PWM function and in turn, save power. Connect PWM_CNTRL to VDD for a fixed PWMOUT output pulse width, which is determined by the CPWM pin capacitor only.

APPLICATIONS INFORMATION

Minimizing Power Consumption

To keep the TS3005's power consumption low, resistive loads at the FOUT and PWMOUT terminals increase dc power consumption and therefore should be as large as possible. Capacitive loads at the FOUT and PWMOUT terminals increase the TS3005's transient power consumption and, as well, should be as small as possible.

One challenge to minimizing the TS3005's transient power consumption is the probe capacitance of oscilloscopes and frequency counter instruments. Most instruments exhibit an input capacitance of 15pF or more. Unless buffered, the increase in transient load current can be as much as 400nA.

To minimize capacitive loading, the technique shown

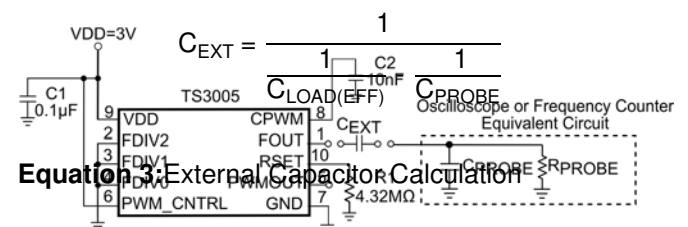


Figure 1: Using an External Capacitor in Series with Probes Reduces Effective Capacitive Load.

in Figure 1 can be used. In this circuit, the principle of series-connected capacitors can be used to reduce the effective capacitive load at the TS3005's FOUT and PWMOUT terminals.

For example, if the instrument's input probe capacitance is 15pF and the desired effective load capacitance at either or both FOUT and PWMOUT

To determine the optimal value for C_{EXT} once the probe capacitance is known by simply solving for C_{EXT} using the following expression:
TS3005 Start-up Time

As the TS3005 is powered up, its FOUT terminal (and PWMOUT terminal, if enabled) is active once

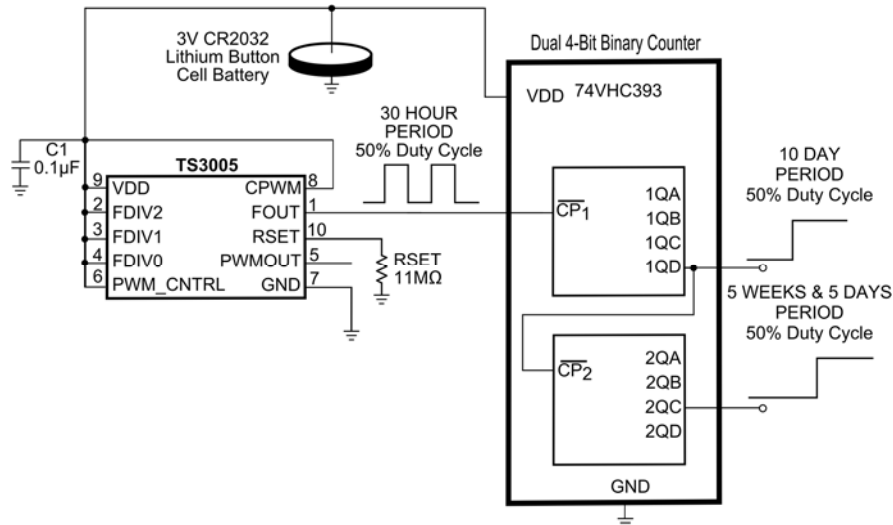


Figure 2: 5 Weeks and 5 Days Counter Circuit

terminals is to be $\leq 5\text{pF}$, then the value of C_{EXT} should be $\leq 7.5\text{pF}$.

the applied VDD is higher than 1.55V. Once the applied VDD is higher than 1.55V, the master oscillator achieves steady-state operation within 18ms.

5 Weeks and 5 Days Counter Circuit with TS3005

The TS3005 can be configured into a 5 Weeks and 5 Days counter as shown in Figure 2. The circuit is composed of a TS3005 timer and a dual 74VHC393 4-bit counter. The TS3005 divider inputs are set to $\text{FDIV2:0} = 111$. With an RSET of 11MΩ, the FOUT period is approximately 30 hours. The complete circuit consumes approximately 4.5μA and is powered with a single 3V CR2032 lithium button cell battery. If a shorter period is desired, a 10 day period is available via output 1QD.

Divide the PWMOUT Output Frequency by Two with the TS3005

Using a single resistor and capacitor, the TS3005 can be configured to a divide by two circuit as shown in Figure 3. To achieve a divide by two function with the TS3005, the pulse width of the PWMOUT output must be at least a factor of 2 greater than the period set at FOUT by resistor RSET. The CPWM capacitor selected must meet this pulse width requirement and

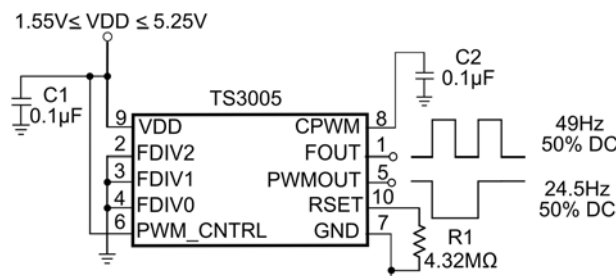


Figure 3: Configuring the TS3005 into a Divide by Two Frequency Divider

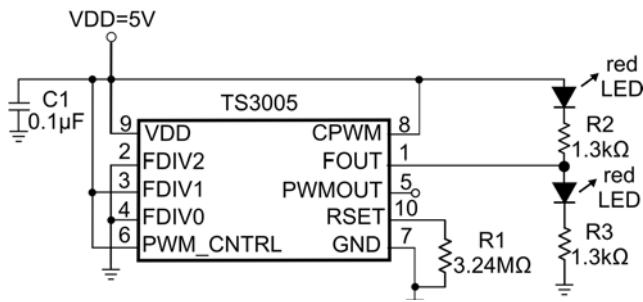


Figure 4: Flashing Railroad Lights with the TS3005

can be calculated using Equation 2. In Figure 3, a value of 4.32MΩ for RSET sets the FOOUT output period to 20.5ms. A CPWM capacitor of 0.1µF was chosen, which sets the pulse width of PWMOUT to approximately 30ms. This is well above the required minimum pulse width of 20.5ms.

Flashing Railroad Lights with the TS3005

With only three resistors and two off the shelf LEDs, the TS3005 can be configured into a flashing railroad lights circuit. With the input divider set to FDIV2:0 = 010 and RSET= 3.24MΩ, the FOOUT output frequency is 1Hz. Refer to Figure 4. During the time the output is HIGH, only the pull-down LED is on while when the output is LOW, only the pull-up LED is on. The supply voltage of the circuit is 5V.

Using the TS3005 and a Potentiometer to Dim an LED

The TS3005 can be configured to dim an LED by modulating the pulse width of the PWMOUT output. With the input divider set to FDIV2:0 = 000 and RSET= 2MΩ, the FOOUT output frequency is approximately 100Hz (or 10ms period). Refer to Figure 5. The CPWM capacitor was calculated using Equation 2 with a pulse width of 8.1ms. To reduce the pulse width from 8.1ms and in turn, dim the LED, a 1MΩ potentiometer is used. The potentiometer is connected to the PWM_CNTRL pin in a voltage divider configuration. The supply voltage of the circuit is 5V.

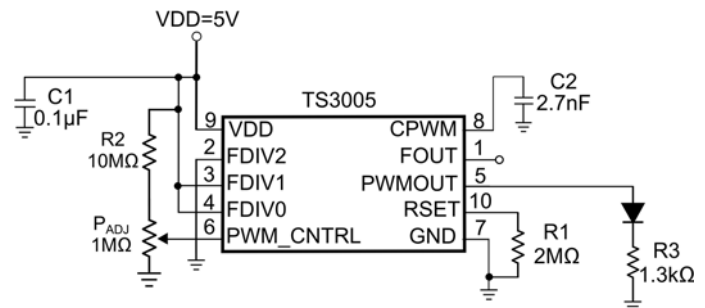
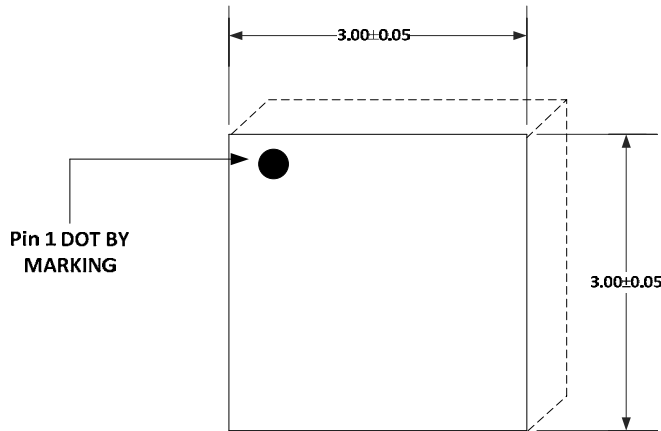


Figure 5: TS3005 Configured to Dim an LED with a Potentiometer

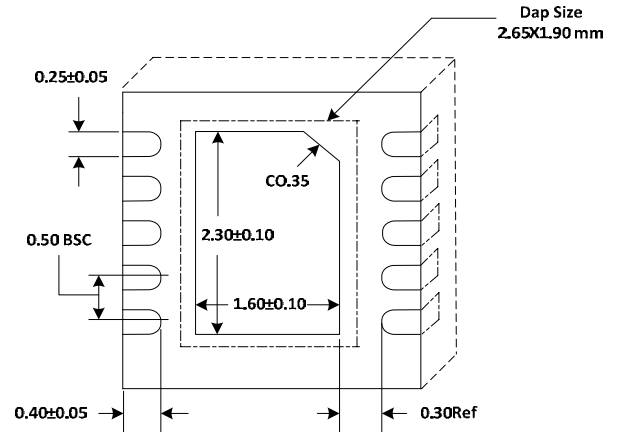
PACKAGE OUTLINE DRAWING

10-Pin TDFN33 Package Outline Drawing

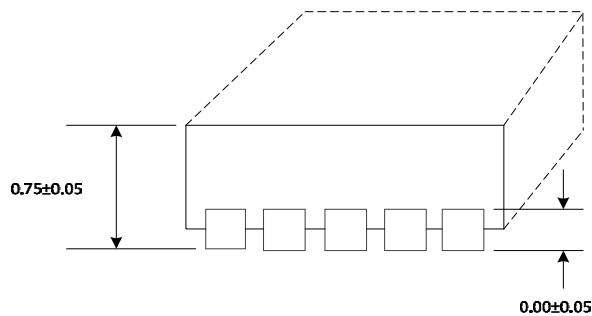
(N.B., Drawings are not to scale)



TOP VIEW



BOTTOM VIEW



SIDE VIEW

NOTE!

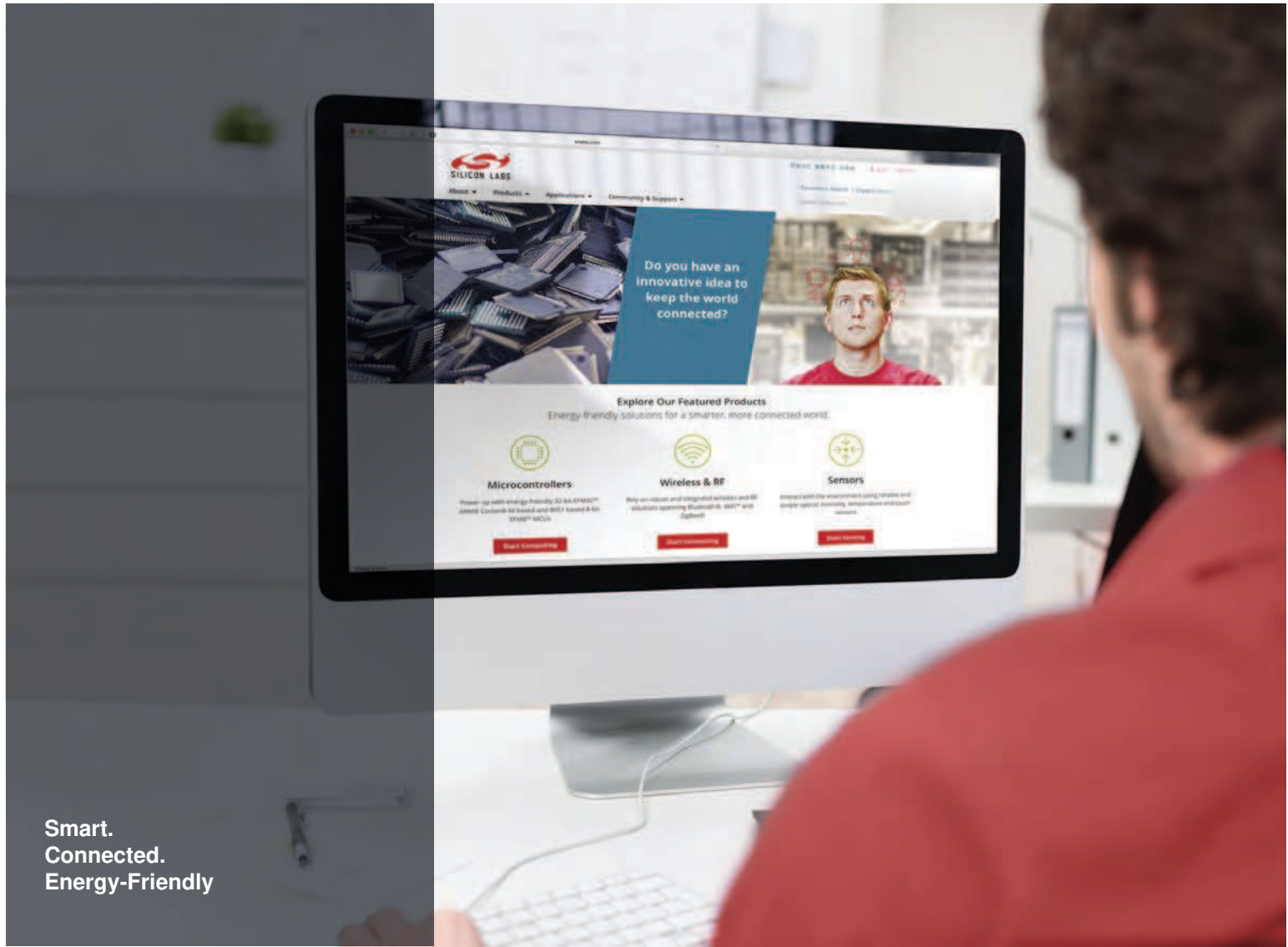
- All dimensions in mm.
- Compliant with JEDEC MO-229

Patent Notice

Silicon Labs invests in research and development to help our customers differentiate in the market with innovative low-power, small size, analog-intensive mixed-signal solutions. Silicon Labs' extensive patent portfolio is a testament to our unique approach and world-class engineering team.

The information in this document is believed to be accurate in all respects at the time of publication but is subject to change without notice. Silicon Laboratories assumes no responsibility for errors and omissions, and disclaims responsibility for any consequences resulting from the use of information included herein. Additionally, Silicon Laboratories assumes no responsibility for the functioning of undescribed features or parameters. Silicon Laboratories reserves the right to make changes without further notice. Silicon Laboratories makes no warranty, representation or guarantee regarding the suitability of its products for any particular purpose, nor does Silicon Laboratories assume any liability arising out of the application or use of any product or circuit, and specifically disclaims any and all liability, including without limitation consequential or incidental damages. Silicon Laboratories products are not designed, intended, or authorized for use in applications intended to support or sustain life, or for any other application in which the failure of the Silicon Laboratories product could create a situation where personal injury or death may occur. Should Buyer purchase or use Silicon Laboratories products for any such unintended or unauthorized application, Buyer shall indemnify and hold Silicon Laboratories harmless against all claims and damages.

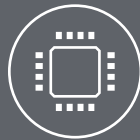
Silicon Laboratories and Silicon Labs are trademarks of Silicon Laboratories Inc.
Other products or brandnames mentioned herein are trademarks or registered trademarks of their respective holders.



Smart.
Connected.
Energy-Friendly



Products
www.silabs.com/products



Quality
www.silabs.com/quality



Support and Community
community.silabs.com

Disclaimer

Silicon Laboratories intends to provide customers with the latest, accurate, and in-depth documentation of all peripherals and modules available for system and software implementers using or intending to use the Silicon Laboratories products. Characterization data, available modules and peripherals, memory sizes and memory addresses refer to each specific device, and "Typical" parameters provided can and do vary in different applications. Application examples described herein are for illustrative purposes only. Silicon Laboratories reserves the right to make changes without further notice and limitation to product information, specifications, and descriptions herein, and does not give warranties as to the accuracy or completeness of the included information. Silicon Laboratories shall have no liability for the consequences of use of the information supplied herein. This document does not imply or express copyright licenses granted hereunder to design or fabricate any integrated circuits. The products must not be used within any Life Support System without the specific written consent of Silicon Laboratories. A "Life Support System" is any product or system intended to support or sustain life and/or health, which, if it fails, can be reasonably expected to result in significant personal injury or death. Silicon Laboratories products are generally not intended for military applications. Silicon Laboratories products shall under no circumstances be used in weapons of mass destruction including (but not limited to) nuclear, biological or chemical weapons, or missiles capable of delivering such weapons.

Trademark Information

Silicon Laboratories Inc., Silicon Laboratories, Silicon Labs, SiLabs and the Silicon Labs logo, CMEMS®, EFM, EFM32, EFR, Energy Micro, Energy Micro logo and combinations thereof, "the world's most energy friendly microcontrollers", Ember®, EZLink®, EZMac®, EZRadio®, EZRadioPRO®, DSPLL®, ISOmodem®, Precision32®, ProSLIC®, SiPHY®, USBXpress® and others are trademarks or registered trademarks of Silicon Laboratories Inc. ARM, CORTEX, Cortex-M3 and THUMB are trademarks or registered trademarks of ARM Holdings. Keil is a registered trademark of ARM Limited. All other products or brand names mentioned herein are trademarks of their respective holders.



Silicon Laboratories Inc.
400 West Cesar Chavez
Austin, TX 78701
USA

<http://www.silabs.com>