



Chipsmall Limited consists of a professional team with an average of over 10 year of expertise in the distribution of electronic components. Based in Hongkong, we have already established firm and mutual-benefit business relationships with customers from,Europe,America and south Asia,supplying obsolete and hard-to-find components to meet their specific needs.

With the principle of “Quality Parts,Customers Priority,Honest Operation,and Considerate Service”,our business mainly focus on the distribution of electronic components. Line cards we deal with include Microchip,ALPS,ROHM,Xilinx,Pulse,ON,Everlight and Freescale. Main products comprise IC,Modules,Potentiometer,IC Socket,Relay,Connector.Our parts cover such applications as commercial,industrial, and automotives areas.

We are looking forward to setting up business relationship with you and hope to provide you with the best service and solution. Let us make a better world for our industry!



Contact us

Tel: +86-755-8981 8866 Fax: +86-755-8427 6832

Email & Skype: info@chipsmall.com Web: www.chipsmall.com

Address: A1208, Overseas Decoration Building, #122 Zhenhua RD., Futian, Shenzhen, China





AMERICAN ELECTRICAL, INC.

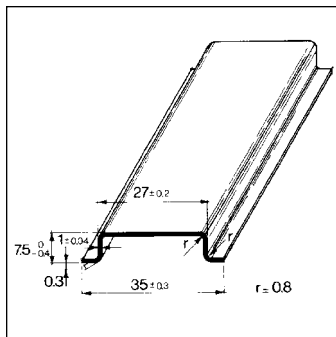
INDUSTRIAL ELECTRICAL ACCESSORIES

425 SOUTHLAKE BLVD. • SUITE 9-B • RICHMOND, VA 23236 • (804) 379-2899 • FAX: (804) 379-8935

DIN RAIL

- STEEL DESIGN
- WHITE ZINC PLATING
- 2 METER LENGTH
- STANDARD PACKS OF 20
- COMPETITIVE PRICING
- INDUSTRY STANDARD MATERIALS
- CE APPROVED
- 6 TYPES AVAILABLE
- NO MARKINGS ON RAIL

35 MM X 7.5 MM
SOLID
STANDARD PACK: 20

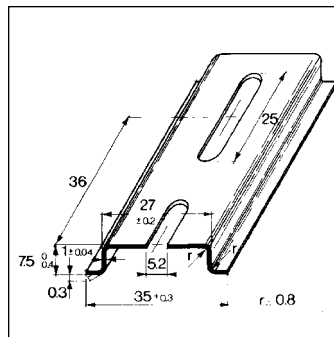


TS3575SQ



* OTHER LENGTHS AVAILABLE

35 MM X 7.5 MM
SLOTTED
STANDARD PACK: 20

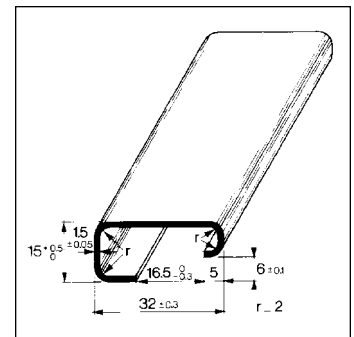


TS3575SL



* OTHER LENGTHS AVAILABLE

32 MM X 15 MM
SOLID
STANDARD PACK: 20



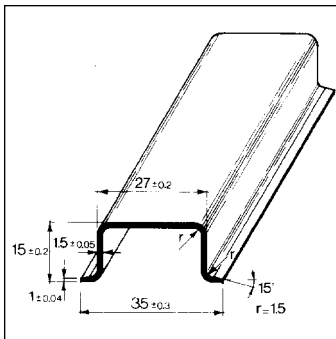
TS32SQ



* OTHER LENGTHS AVAILABLE

DIN RAIL

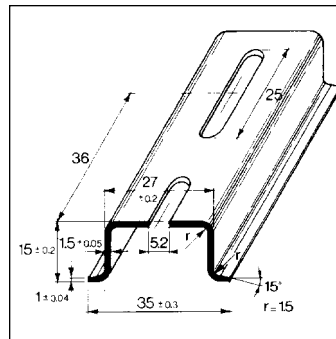
35 MM X 15 MM
SOLID
STANDARD PACK: 20



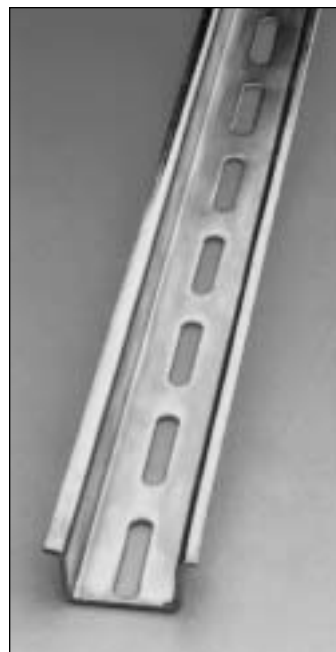
TS3515SOL



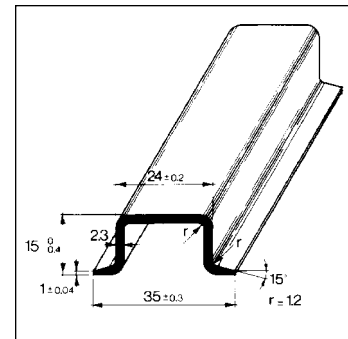
35 MM X 15 MM
SLOTTED
STANDARD PACK: 20



TS3515SL



35 MM X 15 MM
SOLID "HEAVY"
STANDARD PACK: 20



TS3515SOLH



DIN RAIL CROSS REFERENCE LIST

AMERICAN ELECTRICAL	TS3575SL*	TS3575SOL*	TS3515SL	TS3515SOL	TS32SOL	TS3515SOLH
ENTRELEC	173220.05	174300.17	101598.26	168700.22	163050.04	168500.12
PHOENIX CONTACT	801733	801681	1201730	1201714	1201015	—
WAGO	210-112	210-113	210-197	210-114	—	210-118
WEIDMULLER	51450	38340	23650	23640	12280	49800
WIELAND	98.300.1000.0	98.300.0000.0	98.370.1000.0	98.370.0000.0	98.190.0000.0	—

OTHER RAIL TYPES AVAILABLE UPON REQUEST.

* OTHER LENGTHS AVAILABLE