



Chipsmall Limited consists of a professional team with an average of over 10 year of expertise in the distribution of electronic components. Based in Hongkong, we have already established firm and mutual-benefit business relationships with customers from,Europe,America and south Asia,supplying obsolete and hard-to-find components to meet their specific needs.

With the principle of “Quality Parts,Customers Priority,Honest Operation,and Considerate Service”,our business mainly focus on the distribution of electronic components. Line cards we deal with include Microchip,ALPS,ROHM,Xilinx,Pulse,ON,Everlight and Freescale. Main products comprise IC,Modules,Potentiometer,IC Socket,Relay,Connector.Our parts cover such applications as commercial,industrial, and automotives areas.

We are looking forward to setting up business relationship with you and hope to provide you with the best service and solution. Let us make a better world for our industry!



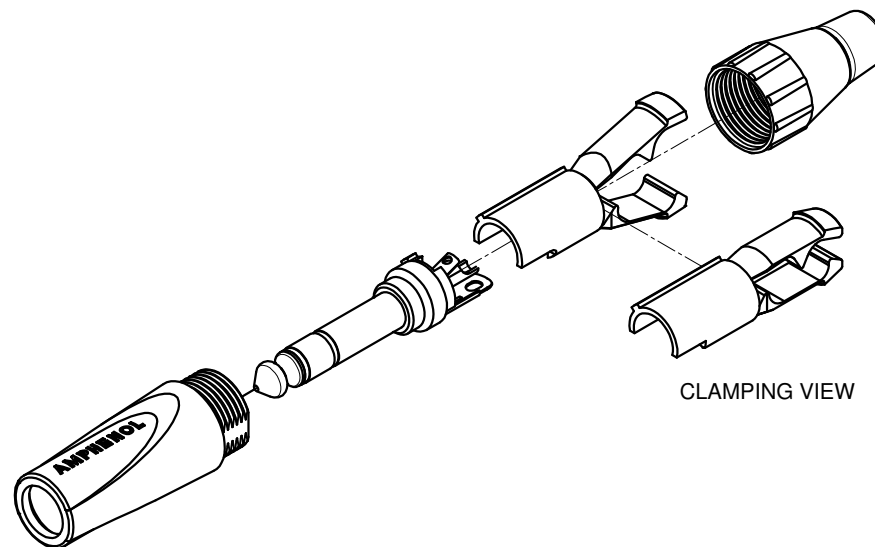
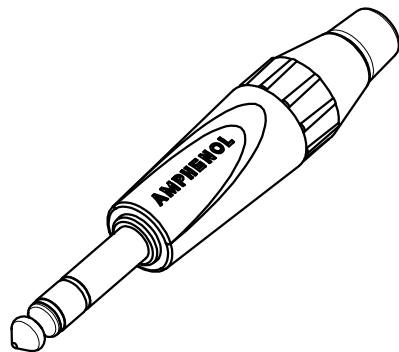
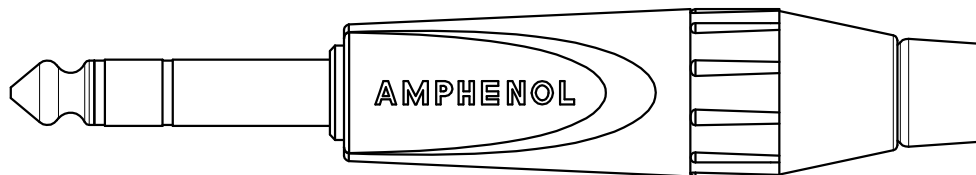
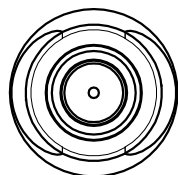
Contact us

Tel: +86-755-8981 8866 Fax: +86-755-8427 6832

Email & Skype: info@chipsmall.com Web: www.chipsmall.com

Address: A1208, Overseas Decoration Building, #122 Zhenhua RD., Futian, Shenzhen, China





| AMPHENOL PART NUMBER | REFERENCE PART NUMBER | SHELL FINISH | CONTACT FINISH |
|----------------------|-----------------------|--------------|-----------------------------|
| TS3P-AU | 55010137-000 | NICKEL PLATE | GOLD TIP, RING AND SLEEVE |
| TS3P-AG | 55010137-001 | | SILVER TIP, RING AND SLEEVE |
| TS3P | 55010137-002 | | NICKEL TIP, RING AND SLEEVE |
| TS3PB-AU | 55010137-003 | MATT BLACK | GOLD TIP, RING AND SLEEVE |
| TS3PB-AG | 55010137-004 | | SILVER TIP, RING AND SLEEVE |
| TS3PB | 55010137-005 | | NICKEL TIP, RING AND SLEEVE |

NOTE: THIS CONNECTOR COVERED BY US PATENT No.s: 5,305,547 AND 5,439,388

| | | | | |
|------|--|-----|----------|--------|
| 2 | CHANGE P/N 55010137-002 FOR NICKEL TIP, RING & SLEEVE, CHANGE (TS3P-AUT) TO (TS3P), REFER TO C/N | L.V | 24-02-05 | 8342 |
| 1 | UPDATE TO COMPLY WITH CHANGED COMPONENTS | L.V | 01-11-02 | 8095 |
| 0 | FIRST ISSUE | L.V | 30-04-02 | ---- |
| REV. | CHANGE DETAILS | BY | DATE | CHG/No |

| | | | | | |
|--|--------------|--|--|--|--|
| UNLESS OTHERWISE SPECIFIED TOLERANCE TO BE | | THIS DOCUMENT IS THE PROPERTY OF AMPHENOL AUSTRALIA PTY. LTD.. NO PART THEREOF MAY BE REPRODUCED AND USED WITHOUT THE PRIOR WRITTEN CONSENT OF THE OWNER | | | |
| LINEAR | | CAD FILE: 55010137000222 | | | |
| ANGULAR | | DRN: L.V | | | |
| X ± 0.5 | X° ± 1° | DATE: 30-04-02 | | | |
| X.X ± 0.1 | X°X' ± 30' | DATE: 04-06-05 | | | |
| X.XX ± 0.05 | X°X'X" ± 15' | DATE: 09-06-05 | | | |
| BREAK ALL SHARP EDGES AND REMOVE ALL BURRS | | MATERIAL: REFER TO COMPONENTS | | | |
| DO NOT SCALE | | FINISH: REFER TO COMPONENTS | | | |
| DIMENSIONS IN MILLIMETRES | | SCALE: 2:1 UOS | | | |

| | | | |
|--|--|--|--|
| TITLE: 1/4" PHONE STEREO PLUG CUSTOMER DRAWING | | Amphenol | |
| DRAWING NO. 55010137-000-2 | | Amphenol Australia Pty Ltd, 2 Fineways Blvd, Keysborough, Vic 3173 | |
| REFER TO TABLE | | SHEET 2 OF 2 | |