



Chipsmall Limited consists of a professional team with an average of over 10 year of expertise in the distribution of electronic components. Based in Hongkong, we have already established firm and mutual-benefit business relationships with customers from,Europe,America and south Asia,supplying obsolete and hard-to-find components to meet their specific needs.

With the principle of “Quality Parts,Customers Priority,Honest Operation,and Considerate Service”,our business mainly focus on the distribution of electronic components. Line cards we deal with include Microchip,ALPS,ROHM,Xilinx,Pulse,ON,Everlight and Freescale. Main products comprise IC,Modules,Potentiometer,IC Socket,Relay,Connector.Our parts cover such applications as commercial,industrial, and automotives areas.

We are looking forward to setting up business relationship with you and hope to provide you with the best service and solution. Let us make a better world for our industry!



## Contact us

Tel: +86-755-8981 8866 Fax: +86-755-8427 6832

Email & Skype: info@chipsmall.com Web: www.chipsmall.com

Address: A1208, Overseas Decoration Building, #122 Zhenhua RD., Futian, Shenzhen, China





PRECISION LOW NOISE  
QUAD OPERATIONAL AMPLIFIER

- LOW INPUT OFFSET VOLTAGE **950 $\mu$ V max.**
- LOW VOLTAGE NOISE : **4.5nV/ $\sqrt$ Hz**
- HIGH GAIN BANDWIDTH PRODUCT :  
**15MHz**
- HIGH SLEW RATE : **7V/ $\mu$ s**
- LOW DISTORTION : 0.002%
- ESD INTERNAL PROTECTION 2kV
- MACROMODEL INCLUDED IN THIS SPECIFICATION

**DESCRIPTION**

The TS524 is a monolithic quad operational amplifier particularly well-suited for audio applications. The TS524 offers a very low input offset voltage as well as low voltage noise (**4.5nV/ $\sqrt$ Hz**) and high dynamic performances (15MHz gain bandwidth product, 7V/ $\mu$ s slew rate).

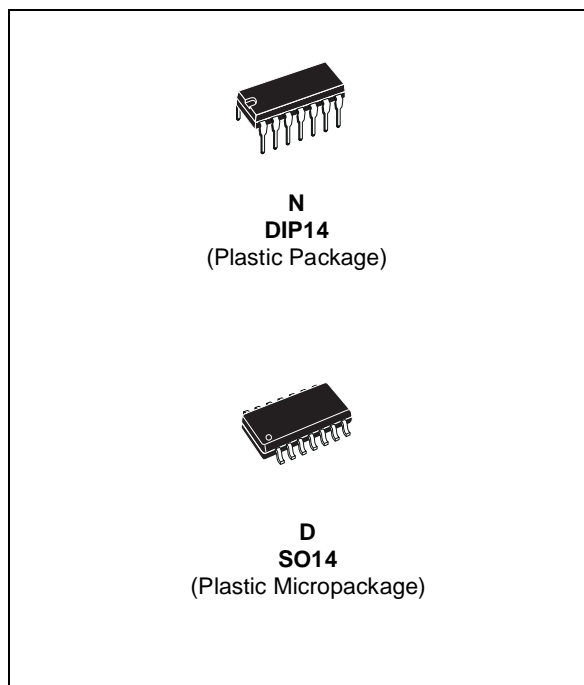
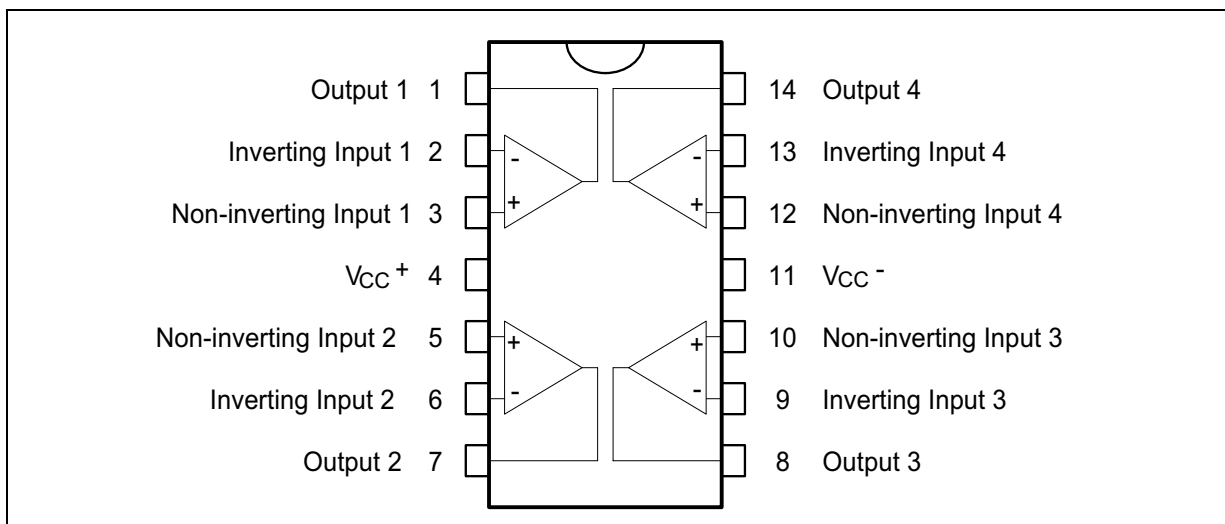
The output stage allows a large output voltage swing and symmetrical source and sink currents.

**ORDER CODE**

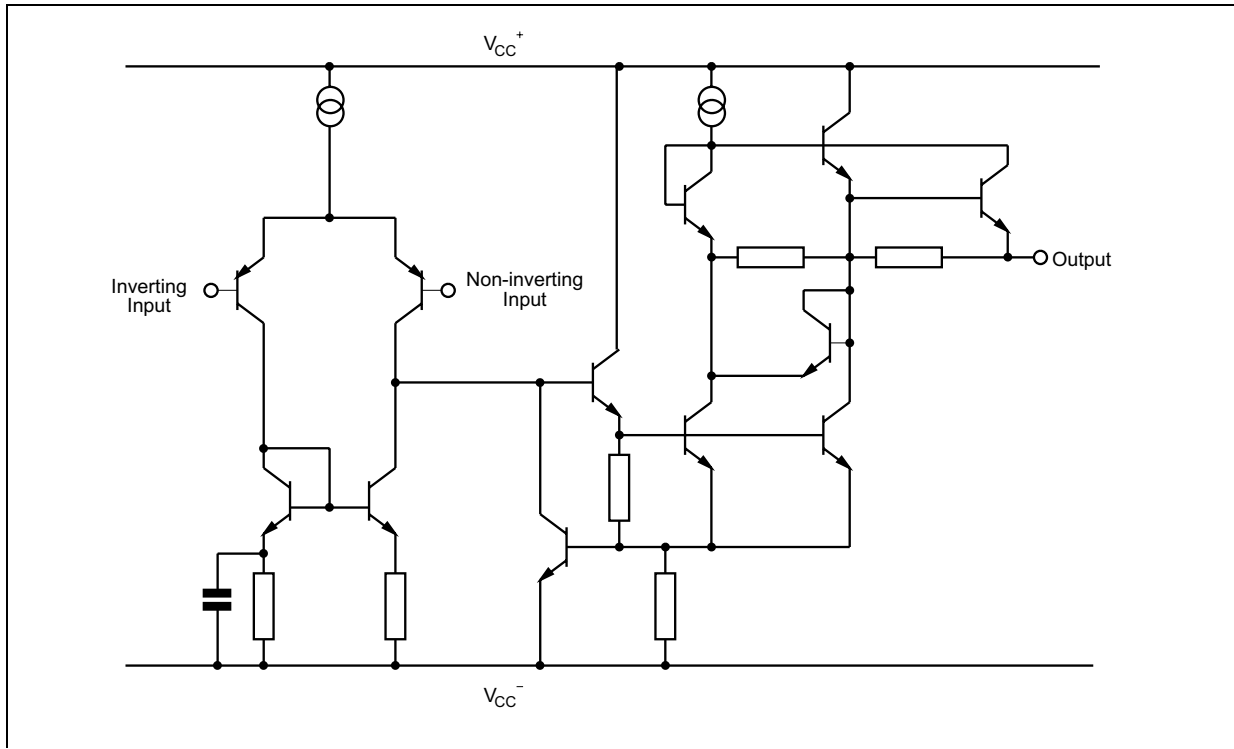
Part Number	Temperature Range	Package	
		N	D
TS524I	-40°C, +125°C	•	•

N = Dual in Line Package (DIP)  
D = Small Outline Package (SO) - also available in Tape & Reel (DT)

**PIN CONNECTIONS** (top view)



**SCHEMATIC DIAGRAM (1/4 TS524)**



**ABSOLUTE MAXIMUM RATINGS**

Symbol	Parameter	Value	Unit
$V_{CC}$	Supply Voltage	$\pm 18$ to 36	V
$V_{id}$	Differential Input Voltage <sup>1)</sup>	$\pm 30$	V
$V_i$	Input Voltage (see note 1)	$\pm 15$	V
	Output Short-circuit Duration <sup>2)</sup>	Infinite	
$T_{oper}$	Operating Free-Air Temperature Range	-40 to +105	°C
$T_j$	Maximum Junction Temperature	+ 150	°C
$T_{stg}$	Storage Temperature Range	-65 to +150	°C
$P_{tot}$	Maximum Power Dissipation (see note 2)	500	mW

1. Either or both input voltages must not exceed the magnitude of  $V_{CC}^+$  or  $V_{CC}^-$
2. Power dissipation must be considered to ensure maximum junction temperature ( $T_j$ ) is not exceeded

**OPERATING CONDITIONS**

Symbol	Parameter	Value	Unit
$V_{CC}$	Supply Voltage	$\pm 2.5$ to $\pm 15$	V

**ELECTRICAL CHARACTERISTICS**
 $V_{CC}^+ = 15V$ ,  $V_{CC}^- = -15V$ ,  $T_{amb} = 25^\circ C$  (unless otherwise specified)

Symbol	Parameter	Min.	Typ.	Max.	Unit
$V_{io}$	Input Offset Voltage ( $V_o = 0V$ , $V_{ic} = 0V$ ) $T_{min} \leq T_{amb} \leq T_{max}$			0.95 1.8	mV
$\Delta V_{io}$	Input Offset Voltage Drift $V_{ic} = 0V$ , $V_o = 0V$ , $T_{min} \leq T_{amb} \leq T_{max}$		2		$\mu V/^\circ C$
$I_{io}$	Input Offset Current ( $V_{ic} = 0V$ , $V_o = 0V$ ) $T_{amb} = +25^\circ C$ $T_{min} \leq T_{amb} \leq T_{max}$		10	150 175	nA
$I_{ib}$	Input Bias Current ( $V_{ic} = 0V$ , $V_o = 0V$ ) $T_{amb} = +25^\circ C$ $T_{min} \leq T_{amb} \leq T_{max}$		250	750 800	nA
$V_{icm}$	Common Mode Input Voltage Range ( $\Delta V_{io} = 5mV$ , $V_o = 0V$ )	$\pm 13$	$\pm 14$		V
$A_{vd}$	Large Signal Voltage Gain ( $R_L = 2k\Omega$ , $V_o = \pm 10V$ ) $T_{amb} = +25^\circ C$ $T_{min} \leq T_{amb} \leq T_{max}$	90 85	100		dB
$\pm V_{opp}$	Output Voltage Swing ( $V_{id} = \pm 1V$ ) $R_L = 600\Omega$ $R_L = 600\Omega$ $R_L = 2.0k\Omega$ $R_L = 2.0k\Omega$ $R_L = 10k\Omega$ $R_L = 10k\Omega$	13.2 13.5	12.2 -12.7 14 -14.2 14.3 -14.6	-13.2 -14	V
CMR	Common Mode Rejection Ratio ( $V_{ic} = \pm 13V$ )	80	100		dB
SVR	Supply Voltage Rejection Ratio $V_{CC}^+/V_{CC}^- = +15V/-15V$ to $+5V/-5V$	80	105		dB
$I_o$	Output Short Circuit Current ( $V_{id} = \pm 1V$ , Output to ground) Source Sink	15 20	29 37		mA
$I_{CC}$	Supply Current ( $V_o = 0V$ , All amplifiers) $T_{amb} = +25^\circ C$ $T_{min} \leq T_{amb} \leq T_{max}$		8	10 12	mA
SR	Slew Rate ( $V_i = -10V$ to $+10V$ , $R_L = 2k\Omega$ , $C_L = 100pF$ , $A_V = +1$ )	5	7		$V/\mu s$
GBP	Gain Bandwidth Product ( $f = 100kHz$ , $R_L = 2k\Omega$ , $C_L = 100pF$ )	10	15		MHz
B	Unity Gain Bandwidth (Open loop)		9		MHz
$A_m$	Gain Margin ( $R_L = 2k\Omega$ ) $C_L = 0pF$ $C_L = 100pF$		-11 -6		dB
$\phi_m$	Phase Margin $C_L = 0pF$ $C_L = 100pF$		55 30		Degrees
$e_n$	Equivalent Input Noise Voltage ( $R_s = 100\Omega$ , $f = 1kHz$ )		4.5		$\frac{nV}{\sqrt{Hz}}$
$i_n$	Equivalent Input Noise current ( $f = 1kHz$ )		0.5		$\frac{pA}{\sqrt{Hz}}$
THD	Total Harmonic Distortion $R_L = 2k\Omega$ , $f = 20Hz$ to $20kHz$ , $V_o = 3V_{rms}$ , $A_V = +1$		0.002		%
$V_{o1}/V_{o2}$	Channel Separation ( $f = 20Hz$ to $20kHz$ )		120		dB
FPB	Full Power Bandwidth ( $V_o = 27V_{pp}$ , $R_L = 2k\Omega$ , $THD \leq 1\%$ )		120		kHz
$Z_o$	Output Impedance ( $V_o = 0V$ , $f = 9MHz$ )		37		$\Omega$
$R_i$	Input Resistance ( $V_{ic} = 0V$ )		175		$k\Omega$
$C_i$	Input Capacitance ( $V_{ic} = 0V$ )		12		pF

**MACROMODEL**

\*\* Standard Linear Ics Macromodels, 1993.

\*\* CONNECTIONS :

- \* 1 INVERTING INPUT
  - \* 2 NON-INVERTING INPUT
  - \* 3 OUTPUT
  - \* 4 POSITIVE POWER SUPPLY
  - \* 5 NEGATIVE POWER SUPPLY
- .SUBCKT TS524 1 3 2 4 5 (analog)

```
*****
.MODEL MDTH D IS=1E-8 KF=2.286238E-16
CJO=10F
* INPUT STAGE
CIP 2 5 1.200000E-11
CIN 1 5 1.200000E-11
EIP 10 5 2 5 1
EIN 16 5 1 5 1
RIP 10 11 2.363636E+00
RIN 15 16 2.363636E+00
RIS 11 15 1.224040E+01
DIP 11 12 MDTH 400E-12
DIN 15 14 MDTH 400E-12
VOFP 12 13 DC 0
VOFN 13 14 DC 0
IPOL 13 5 1.100000E-04
CPS 11 15 2.35E-09
DINN 17 13 MDTH 400E-12
VIN 17 5 1.000000E+00
DINR 15 18 MDTH 400E-12
VIP 4 18 1.000000E+00
FCP 4 5 VOFP 1.718182E+01
FCN 5 4 VOFN 1.718182E+01
FIBP 2 5 VOFN 4.545455E-03
FIBN 5 1 VOFP 4.545455E-03
* AMPLIFYING STAGE
FIP 5 19 VOFP 9.545455E+02
FIN 5 19 VOFN 9.545455E+02
CC 19 29 1.500000E-08
```

```
HZTP 30 29 VOFP 1.523529E+02
HZTN 5 30 VOFN 1.523529E+02
DOPM 51 22 MDTH 400E-12
DONM 21 52 MDTH 400E-12
HOPM 22 28 VOUT 5.172414E+03
VIPM 28 4 1.500000E+02
HONM 21 27 VOUT 4.054054E+03
VINM 5 27 1.500000E+02
DBIDON1 19 53 MDTH 400E-12
V1 51 53 0.68
DBIDON2 54 19 MDTH 400E-12
V2 54 52 0.68
RG11 51 5 3.04E+05
RG12 51 4 3.04E+05
RG21 52 5 0.6072E+05
RG22 52 4 0.6072E+05
E1 50 40 51 0 1 E2 40 39 52 0 1
EDEC1 38 39 4 0 0.5
EDEC2 0 38 5 0 0.5
DOP 51 25 MDTH 400E-12
VOP 4 25 1.474575E+00
DON 24 52 MDTH 400E-12
VON 24 5 1.474575E+00
RAJUS 50 5 1E12
GCOMP 5 4 4 5 8.1566068E-04
RPM1 5 80 1E+06
RPM2 4 80 1E+06
GAVPH 5 82 50 80 3.26E-03
RAVPHGH 82 4 613
RAVPHGB 82 5 613
RAVPHDH 82 83 1000
RAVPHDB 82 84 1000
CAVPHH 4 83 0.159E-09
CAVPHB 5 84 0.159E-09
EOUT 26 23 82 5 1
VOUT 23 5 0
ROUT 26 3 4.780354E+01
COUT 3 5 1.000000E-12
.ENDS
```

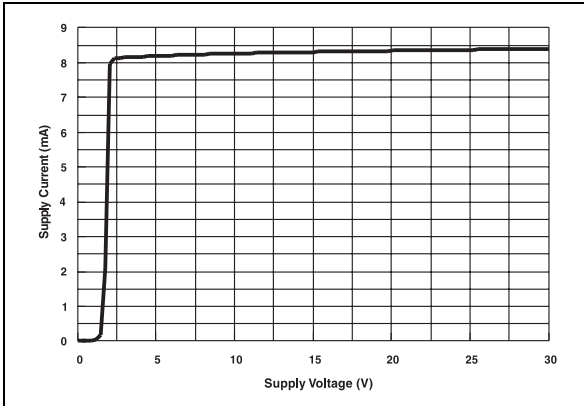
**ELECTRICAL CHARACTERISTICS**

V<sub>cc</sub> = ±15V, T<sub>amb</sub> = 25°C (unless otherwise specified)

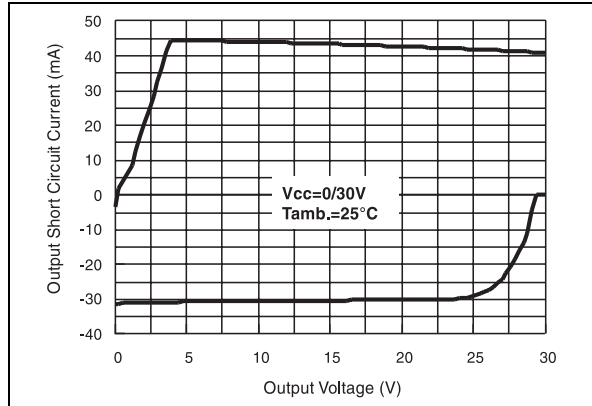
Symbol	Conditions	Value	Unit
V <sub>io</sub>		0	mV
A <sub>vd</sub>	R <sub>L</sub> = 2kΩ, V <sub>o</sub> = ±10V	100	dB
I <sub>cc</sub>	No load, per operator	2	mA
V <sub>icm</sub>	ΔV <sub>io</sub> = 5mV, V <sub>o</sub> = 0V	28	V
V <sub>opp</sub>	R <sub>L</sub> = 2kΩ	28.2	V
I <sub>sink</sub>	V <sub>o</sub> = 0V	37	mA
I <sub>source</sub>	V <sub>o</sub> = 0V	29	mA
GBP	R <sub>L</sub> = 2kΩ, C <sub>L</sub> = 100pF	15	MHz
SR	R <sub>L</sub> = 2kΩ, C <sub>L</sub> = 100pF, A <sub>v</sub> = +1	7	V/μs
∅m	R <sub>L</sub> = 2kΩ, C <sub>L</sub> = 0pF	55	Degrees



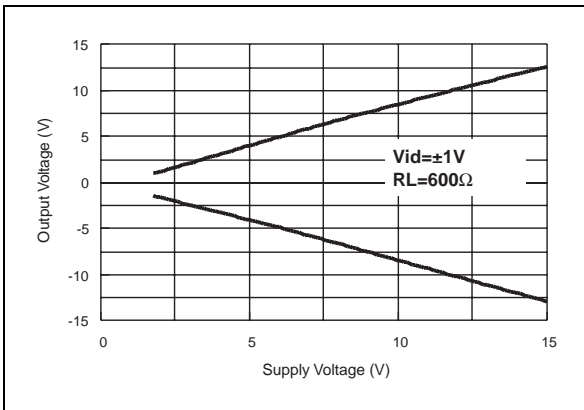
**TOTAL SUPPLY CURRENT vs SUPPLY VOLTAGE**



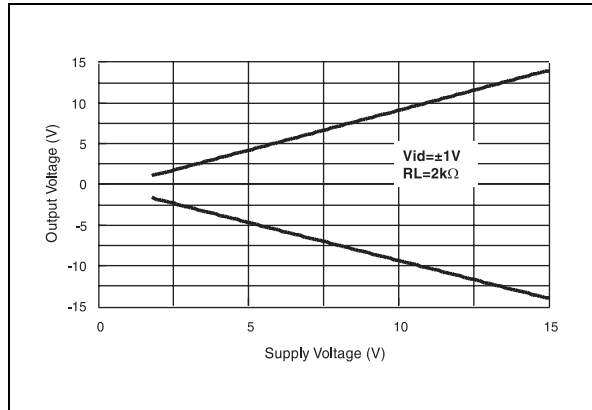
**OUTPUT SHORT CIRCUIT CURRENT vs OUTPUT VOLTAGE**



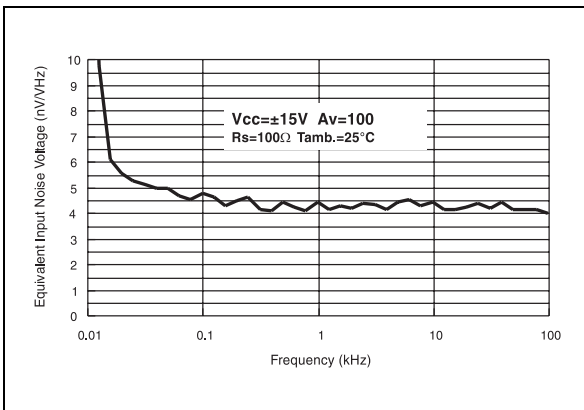
**OUTPUT VOLTAGE vs SUPPLY VOLTAGE**



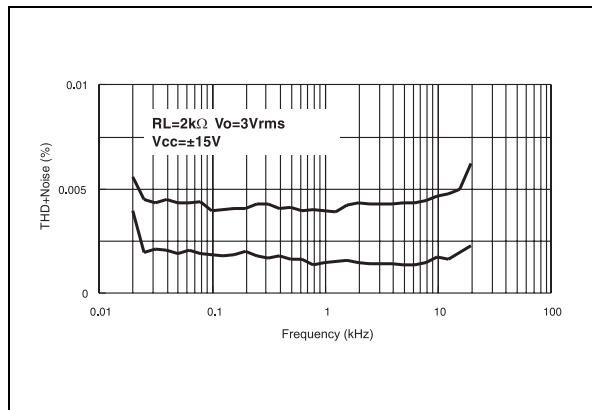
**OUTPUT VOLTAGE vs SUPPLY VOLTAGE**



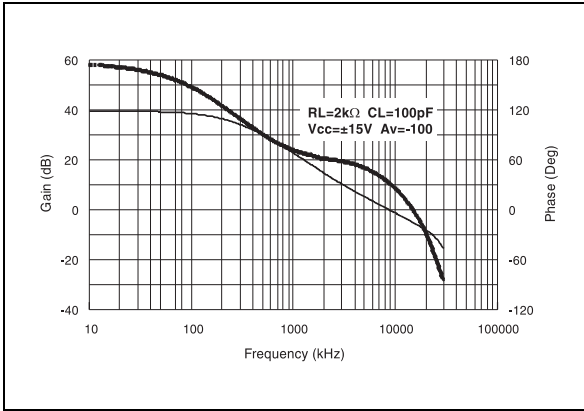
**EQUIVALENT INPUT NOISE VOLTAGE vs FREQUENCY**



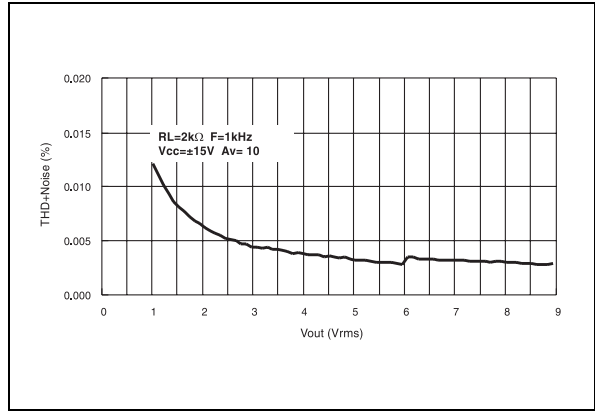
**THD + NOISE vs FREQUENCY**



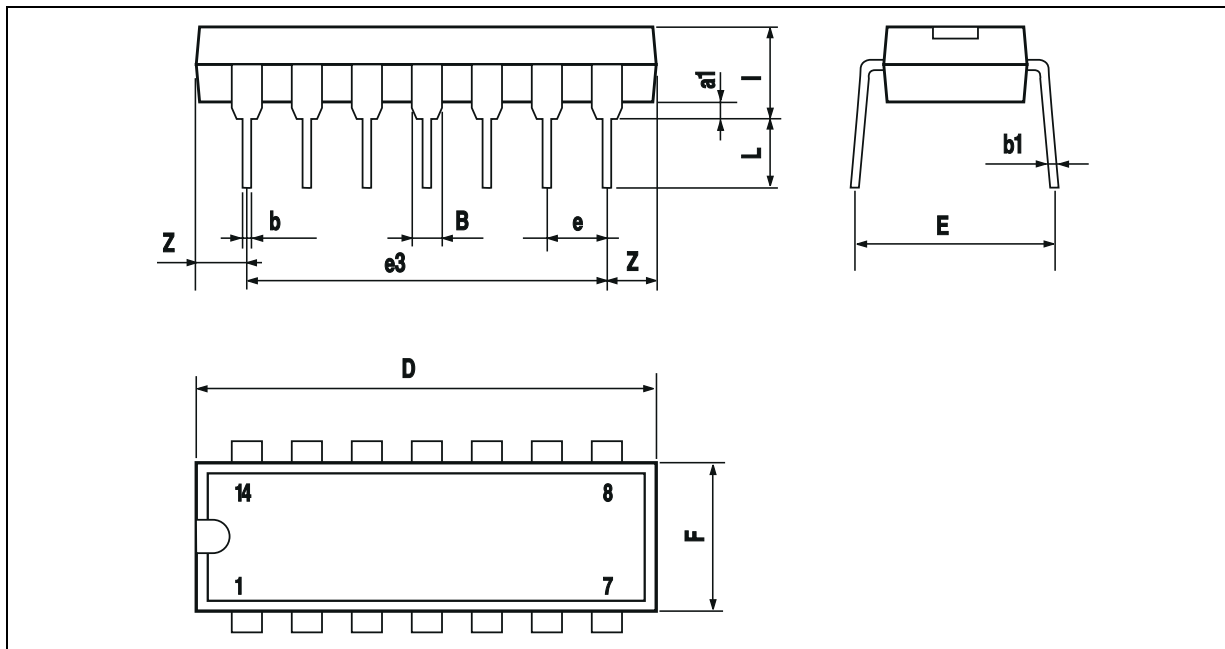
VOLTAGE GAIN AND PHASE vs FREQUENCY



THD + NOISE vs  $V_{out}$

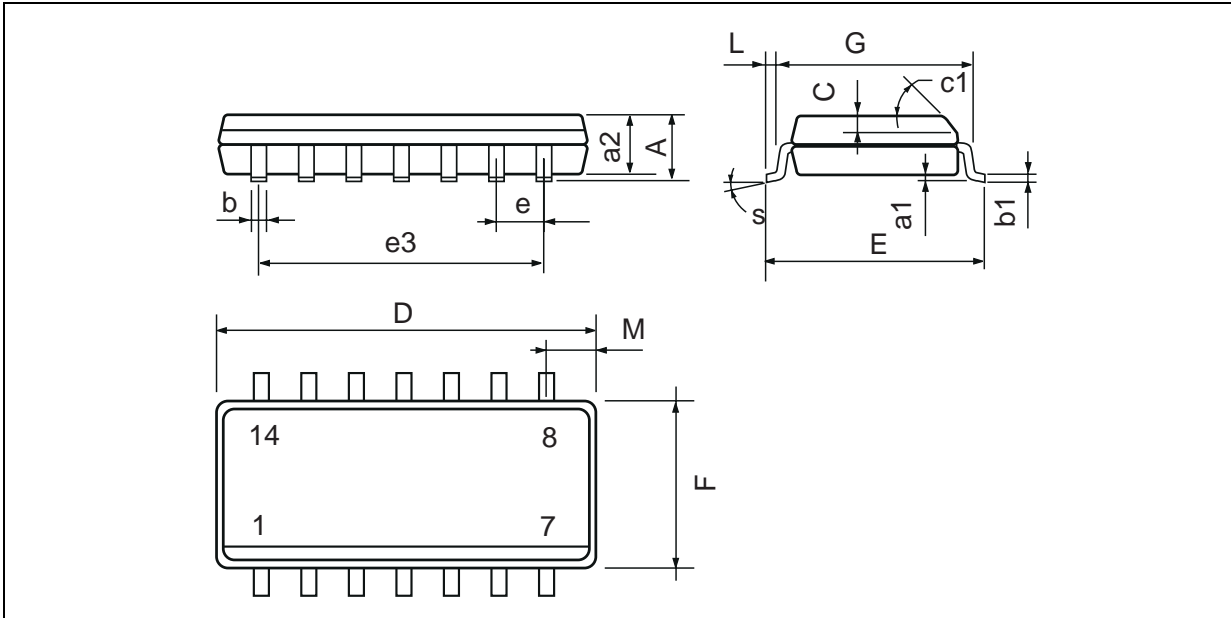


**PACKAGE MECHANICAL DATA**  
14 PINS - PLASTIC DIP



Dim.	Millimeters			Inches		
	Min.	Typ.	Max.	Min.	Typ.	Max.
a1	0.51			0.020		
B	1.39		1.65	0.055		0.065
b		0.5			0.020	
b1		0.25			0.010	
D			20			0.787
E		8.5			0.335	
e		2.54			0.100	
e3		15.24			0.600	
F			7.1			0.280
i			5.1			0.201
L		3.3			0.130	
Z	1.27		2.54	0.050		0.100

**PACKAGE MECHANICAL DATA**  
 14 PINS - PLASTIC MICROPACKAGE (SO)



Dim.	Millimeters			Inches		
	Min.	Typ.	Max.	Min.	Typ.	Max.
A			1.75			0.069
a1	0.1		0.2	0.004		0.008
a2			1.6			0.063
b	0.35		0.46	0.014		0.018
b1	0.19		0.25	0.007		0.010
C		0.5			0.020	
c1	45° (typ.)					
D (1)	8.55		8.75	0.336		0.344
E	5.8		6.2	0.228		0.244
e		1.27			0.050	
e3		7.62			0.300	
F (1)	3.8		4.0	0.150		0.157
G	4.6		5.3	0.181		0.208
L	0.5		1.27	0.020		0.050
M			0.68			0.027
S	8° (max.)					

Note : (1) D and F do not include mold flash or protrusions - Mold flash or protrusions shall not exceed 0.15mm (.066 inc) ONLY FOR DATA BOOK.

Information furnished is believed to be accurate and reliable. However, STMicroelectronics assumes no responsibility for the consequences of use of such information nor for any infringement of patents or other rights of third parties which may result from its use. No license is granted by implication or otherwise under any patent or patent rights of STMicroelectronics. Specifications mentioned in this publication are subject to change without notice. This publication supersedes and replaces all information previously supplied. STMicroelectronics products are not authorized for use as critical components in life support devices or systems without express written approval of STMicroelectronics.

© The ST logo is a registered trademark of STMicroelectronics

© 2001 STMicroelectronics - Printed in Italy - All Rights Reserved  
 STMicroelectronics GROUP OF COMPANIES

Australia - Brazil - Canada - China - Finland - France - Germany - Hong Kong - India - Israel - Italy - Japan - Malaysia  
 Malta - Morocco - Singapore - Spain - Sweden - Switzerland - United Kingdom - United States

© <http://www.st.com>