



Chipsmall Limited consists of a professional team with an average of over 10 year of expertise in the distribution of electronic components. Based in Hongkong, we have already established firm and mutual-benefit business relationships with customers from,Europe,America and south Asia,supplying obsolete and hard-to-find components to meet their specific needs.

With the principle of "Quality Parts,Customers Priority,Honest Operation,and Considerate Service",our business mainly focus on the distribution of electronic components. Line cards we deal with include Microchip,ALPS,ROHM,Xilinx,Pulse,ON,Everlight and Freescale. Main products comprise IC,Modules,Potentiometer,IC Socket,Relay,Connector.Our parts cover such applications as commercial,industrial, and automotives areas.

We are looking forward to setting up business relationship with you and hope to provide you with the best service and solution. Let us make a better world for our industry!



## Contact us

Tel: +86-755-8981 8866 Fax: +86-755-8427 6832

Email & Skype: info@chipsmall.com Web: www.chipsmall.com

Address: A1208, Overseas Decoration Building, #122 Zhenhua RD., Futian, Shenzhen, China



## 500mA Low Quiescent Current CMOS LDO

### DESCRIPTION

TS9013 is a positive voltage regulator developed utilizing CMOS technology featured very low power consumption, low dropout voltage and high output voltage accuracy. Built in low on-resistor provides low dropout voltage and large output current. A 2.2 $\mu$ F or greater can be used as an output capacitor. TS9013 are prevented device failure under the worst operation condition with both thermal shutdown and current fold-back. These series are recommended for configuring portable devices and large current application, respectively.

### FEATURES

- Output current up to 500mA
- Low power consumption, 15 $\mu$ A(typ.) @ $V_O=5V$
- Output voltage  $\pm 2\%$
- Internal current limit
- Thermal shutdown protection
- Compliant to RoHS Directive 2011/65/EU and in accordance to WEEE 2002/96/EC.
- Halogen-free according to IEC 61249-2-21

### APPLICATION

- Palmtops
- Video recorders
- Battery powered equipment
- PC peripherals
- CD-ROM, DVD ROM
- Digital signal camera

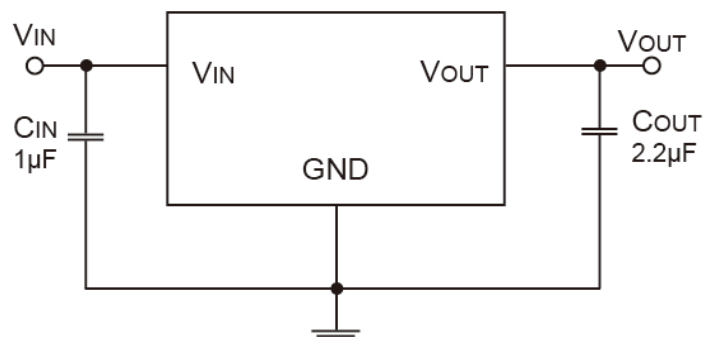


**Pin Definition:**  
1. Ground  
2. Input  
3. Output



**Pin Definition:**  
1. Input  
2. Ground  
3. Output

### TYPICAL APPLICATION CIRCUIT



<b>ABSOLUTE MAXIMUM RATINGS</b> ( $T_A = 25^\circ\text{C}$ unless otherwise noted)			
PARAMETER	SYMBOL	LIMIT	UNIT
Input Supply Voltage	$V_{IN}$	12	V
Recommend Operating Input Voltage	$V_{IN}$	10	V
Output Current	$I_o$	500	mA
Power Dissipation (without heat sink)	SOT-89	0.5	W
	SOT-223	0.7	
Operating Junction Temperature Range	$T_J$	-40 ~ +150	$^\circ\text{C}$
Storage Temperature Range	$T_{STG}$	-65 ~ +150	$^\circ\text{C}$
Lead Soldering Temperature (260 $^\circ\text{C}$ )		5	S

**Notes:** Stress above the listed absolute rating may cause permanent damage to the device.

<b>ELECTRICAL SPECIFICATIONS</b> ( $T_A = 25^\circ\text{C}$ unless otherwise noted)						
PARAMETER	CONDITIONS	MIN	TYP	MAX	UNIT	
Output Voltage	$V_{IN}=V_O + 1V,$ $I_o = 1mA,$	TS90135	4.90	5.0	5.10	V
		TS9013S	3.23	3.3	3.36	
		TS9013K	2.45	2.5	2.55	
		TS9013D	1.76	1.8	1.83	
	$V_{IN}=V_O + 1V,$ $I_o = 1mA \sim 500mA$	TS90135	4.85	5.0	5.10	V
		TS9013S	3.20	3.3	3.36	
		TS9013K	2.42	2.5	2.55	
		TS9013D	1.74	1.8	1.83	
Maximum Output Current	$V_{IN}=V_O+1V,$	500	--	--	mA	
Input Stability	$V_O+1V \leq V_{IN} \leq V_O+2V, I_o=1mA$	--	0.2	0.3	%	
Load Regulation (Note1)	$V_{IN}=V_O+1V,$ $1mA \leq I_L \leq 500mA$	TS90135	--	40	80	mV
		TS9013S				
	$V_{IN}=V_O+1V,$ $1mA \leq I_L \leq 500mA$	TS9013K	--	40	90	
		TS9013D				
Dropout Voltage (Note 2)	$I_o=300mA$	TS90135	--	300	500	mV
		TS9013S				
	$I_o=500mA$	TS90135	--	500	600	
		TS9013S				
	$I_o=500mA$	TS9013K	--	600	850	
		TS9013D				
Quiescent Current	$V_{IN}=V_O+1V, I_o=0A$	--	15	25	$\mu\text{A}$	
Output Current Limit	$V_{OUT} < 0.4V$	550	--	--	mA	
Power Supply Rejection Ratio	At $f=100\text{KHz}, I_o=10mA$	--	30	--	dB	
Output Voltage Temperature Coefficient		--	100	--	ppm/ $^\circ\text{C}$	

**Note:**

1. Regulation is measured at constant junction temperature, using pulsed ON time.
2. Dropout is measured at constant junction temperature, using pulsed ON time, and the criterion is  $V_{OUT}$  inside target value +/- 3%.

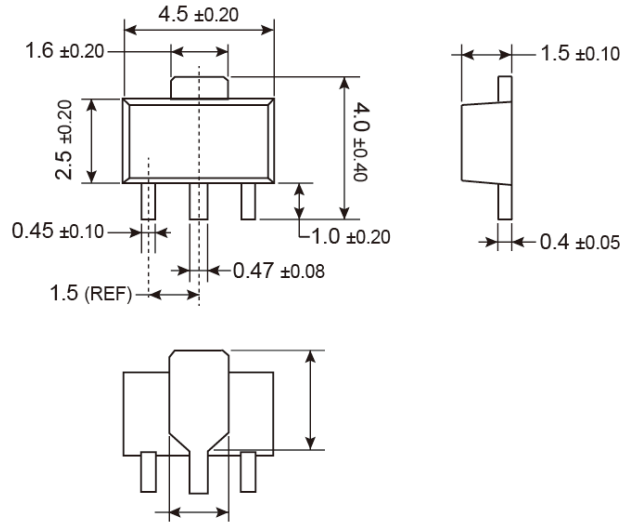
**ORDERING INFORMATION**

<b>OUTPUT VOLTAGE</b>	<b>PART NO.</b>	<b>PACKAGE</b>	<b>PACKING</b>
1.8V	TS9013DCW RPG	SOT-223	2,500pcs / 13" Reel
	TS9013DCY RMG	SOT-89	1,000pcs / 7" Reel
2.5V	TS9013KCW RPG	SOT-223	2,500pcs / 13" Reel
3.3V	TS9013SCW RPG	SOT-223	2,500pcs / 13" Reel
	TS9013SCY RMG	SOT-89	1,000pcs / 7" Reel
5V	TS90135CW RPG	SOT-223	2,500pcs / 13" Reel

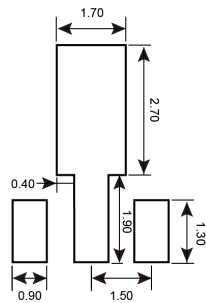


**PACKAGE OUTLINE DIMENSIONS** (Unit: Millimeters)

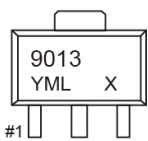
**SOT-89**



**SUGGESTED PAD LAYOUT** (Unit: Millimeters)



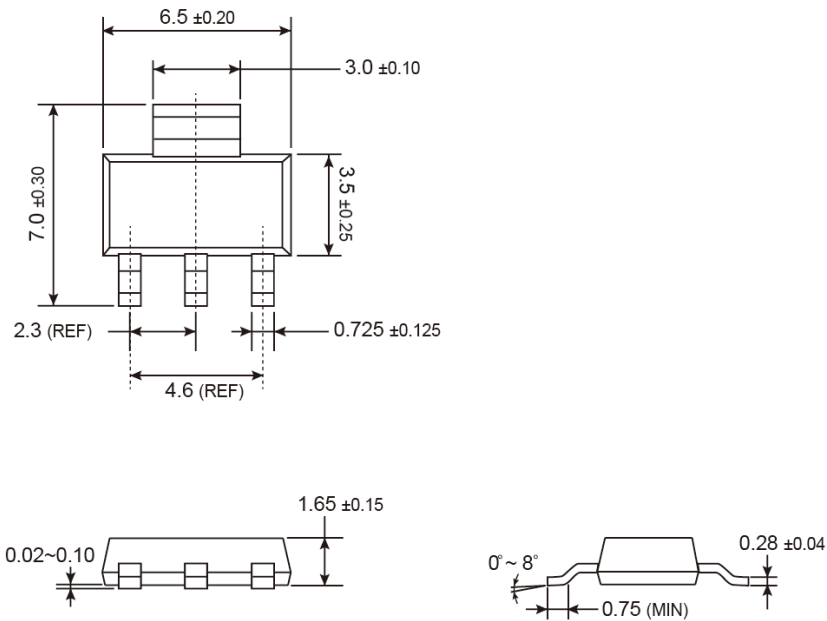
**MARKING DIAGRAM**



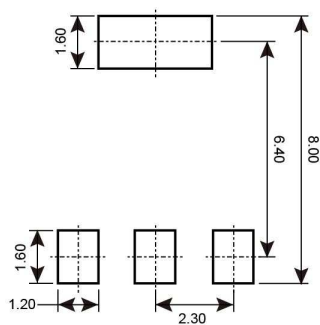
- Y** = Year Code
- M** = Month Code for Halogen Free Product
  - O** =Jan    **P** =Feb    **Q** =Mar    **R** =Apr
  - S** =May    **T** =Jun    **U** =Jul    **V** =Aug
  - W** =Sep    **X** =Oct    **Y** =Nov    **Z** =Dec
- L** = Lot Code (1~9, A~Z)
- X** = Fixed Output Voltage Code
  - 18**=1.8V, **33**=3.3V, **50**=5.0V..

**PACKAGE OUTLINE DIMENSIONS** (Unit: Millimeters)

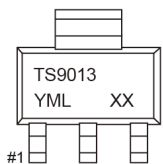
**SOT-223**



**SUGGESTED PAD LAYOUT** (Unit: Millimeters)



**MARKING DIAGRAM**



- Y** = Year Code
- M** = Month Code for Halogen Free Product
  - O** =Jan    **P** =Feb    **Q** =Mar    **R** =Apr
  - S** =May    **T** =Jun    **U** =Jul    **V** =Aug
  - W** =Sep    **X** =Oct    **Y** =Nov    **Z** =Dec
- L** = Lot Code (1~9, A~Z)
- X** = Fixed Output Voltage Code
  - 18**=1.8V, **25**=3.3V, **33**=3.3V, **50**=5.0V..

## Notice

Specifications of the products displayed herein are subject to change without notice. TSC or anyone on its behalf, assumes no responsibility or liability for any errors or inaccuracies.

Information contained herein is intended to provide a product description only. No license, express or implied, to any intellectual property rights is granted by this document. Except as provided in TSC's terms and conditions of sale for such products, TSC assumes no liability whatsoever, and disclaims any express or implied warranty, relating to sale and/or use of TSC products including liability or warranties relating to fitness for a particular purpose, merchantability, or infringement of any patent, copyright, or other intellectual property right.

The products shown herein are not designed for use in medical, life-saving, or life-sustaining applications. Customers using or selling these products for use in such applications do so at their own risk and agree to fully indemnify TSC for any damages resulting from such improper use or sale.