



Chipsmall Limited consists of a professional team with an average of over 10 year of expertise in the distribution of electronic components. Based in Hongkong, we have already established firm and mutual-benefit business relationships with customers from,Europe,America and south Asia,supplying obsolete and hard-to-find components to meet their specific needs.

With the principle of “Quality Parts,Customers Priority,Honest Operation,and Considerate Service”,our business mainly focus on the distribution of electronic components. Line cards we deal with include Microchip,ALPS,ROHM,Xilinx,Pulse,ON,Everlight and Freescale. Main products comprise IC,Modules,Potentiometer,IC Socket,Relay,Connector.Our parts cover such applications as commercial,industrial, and automotives areas.

We are looking forward to setting up business relationship with you and hope to provide you with the best service and solution. Let us make a better world for our industry!



Contact us

Tel: +86-755-8981 8866 Fax: +86-755-8427 6832

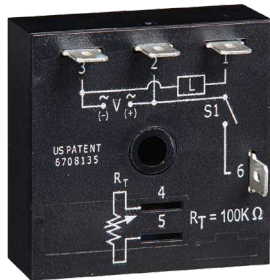
Email & Skype: info@chipsmall.com Web: www.chipsmall.com

Address: A1208, Overseas Decoration Building, #122 Zhenhua RD., Futian, Shenzhen, China

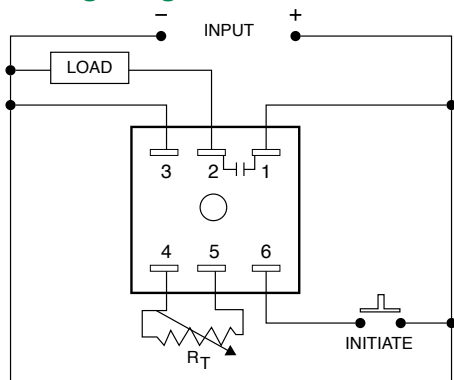


TSD94110SB

Retriggerable Single-Shot Timer



Wiring Diagram



NOTE: R_T is used when external adjustment is ordered.

Description

The TSD94110SB retriggerable single-shot timer is designed for a variety of applications. Its digital circuit provides long or short delays with accuracy and stability over a wide voltage and temperature range. It is the ideal timer for pulse-train monitoring of programmable controllers, or any system requiring motion detection.

Operation A Type

Power must be applied to input at all times prior to and during timing. Upon closure of initiate switch (momentary or maintained) the load is energized and the time delay is started. On completion of the delay period the load is de-energized. Should the initiate switch be reclosed during timing, the delay will be reset to zero and restarted.

Operation B Type

Upon application of input power, the load is energized and a time delay is started. At the end of the time delay, the load is de-energized. Should the initiate switch be closed or reclosed during timing, the delay is reset to zero and restarted.

Features & Benefits

- Excellent Pulse Train Monitor
- Totally Solid State and Encapsulated
- Microcontroller Circuitry
- Fast Reset to Zero During Timing
- Excellent Accuracy and Reliability
- DC Units are Reverse Polarity Protected

Specifications

Time Delay

| | |
|---|--|
| Type | Microcontroller circuitry |
| Range | Factory fixed 10s |
| Repeat Accuracy | ±0.5% |
| Tolerance | |
| (Factory Calibration) | ±1% |
| Recycle Time | 300ms max. |
| Time Delay vs. Temp. & Voltage | ±2% |
| Initiate Timing | 16ms max. AC |
| Input | |
| Operating Voltage | 120 volts AC |
| Tolerance | ±15% |
| Output | |
| Type | Solid State |
| Form | Normally open |
| Rating | 1 ampere steady state, 10 amperes inrush at 55°C |
| Voltage Drop | AC 2.5 volts typical at 1 ampere |
| Protection | |
| Transient | Protected |
| Dielectric | 1500 volts RMS |
| Insulation Resistance | 100 megohms minimum 4.4 |

Mechanical

| | |
|--------------------|--|
| Mounting | Surface mount with one #8 or #10 screw |
| Termination | 0.25 in. (6.35 mm) male quick connect terminals |
| Package | Molded housing with encapsulated circuitry |
| Dimensions | H 50.80 mm (2.00"); W 50.80 mm (2.00"); D 30.70 mm (1.21") |

Environmental

| | |
|--------------------------------------|-------------------------------|
| Operating/Storage Temperature | -40°C to 60°C / -40°C to 85°C |
| Humidity | 95% relative, non-condensing |
| Weight | Approx. 2.4 oz (68 g) |

Function Diagram

