



Chipsmall Limited consists of a professional team with an average of over 10 year of expertise in the distribution of electronic components. Based in Hongkong, we have already established firm and mutual-benefit business relationships with customers from,Europe,America and south Asia,supplying obsolete and hard-to-find components to meet their specific needs.

With the principle of "Quality Parts,Customers Priority,Honest Operation,and Considerate Service",our business mainly focus on the distribution of electronic components. Line cards we deal with include Microchip,ALPS,ROHM,Xilinx,Pulse,ON,Everlight and Freescale. Main products comprise IC,Modules,Potentiometer,IC Socket,Relay,Connector.Our parts cover such applications as commercial,industrial, and automotives areas.

We are looking forward to setting up business relationship with you and hope to provide you with the best service and solution. Let us make a better world for our industry!



## Contact us

Tel: +86-755-8981 8866 Fax: +86-755-8427 6832

Email & Skype: info@chipsmall.com Web: www.chipsmall.com

Address: A1208, Overseas Decoration Building, #122 Zhenhua RD., Futian, Shenzhen, China



DO NOT SCALE FROM THIS PRINT

NOTES:

1. Ⓢ REPRESENTS A CRITICAL DIMENSION.
2. MAXIMUM POST HEIGHT VARIATION: .005[0.13].
3. LOAD PARTS POS 1 IN SAME DIRECTION AS ARROW.
4. TUBE POSITIONS 03 THRU 50.
5. TAPE & REEL AVAILABLE ON POSITION 02 THRU 28 ONLY. LEADS MAY NOT BE VISIBLE FOR CUSTOMER'S VISUAL INSPECTION ON SMALLER POSITIONED PARTS WHEN USED WITH THE -P OR -M OPTIONS.
6. MEASURE AT BEND RADIUS.
7. MINIMUM PUSHOUT FORCE: 3 LBS.
8. FOR -TV USE T-31724-01.
9. DUE TO THE HIGH AMOUNT OF INSERTION FORCE NEEDED, THE -LC OPTION IS NOT COMPATIBLE WITH AUTO PLACEMENT. SAMTEC RECOMMENDS MANUAL PLACEMENT FOR ALL ASSEMBLIES WITH THE -LC OPTION.
10. ONLY AVAILABLE ON -01-DV OPTION, MATES ONLY WITH SSM, SSW, SSQ, BCS, ESW AND ESQ.
11. MAXIMUM ALLOWABLE CUT FLASH .010[0.25], .015[0.38] ALLOWED TOWARDS TAILS.
12. THIS DIMENSION TO BE MEASURED RELATIVE TO DATUM -Z.

MOUNT STYLE	POSITIONS	COPLANARITY
-DV	-02 THRU -05	.004 [0.10]
	-06 THRU -10	.005 [0.13]
	-11 THRU -50	.006 [0.15]
-TV & -TM	-02 THRU -10	.004 [0.10]
	-11 THRU -20	.005 [0.13]
	-21 THRU -30	.006 [0.15]

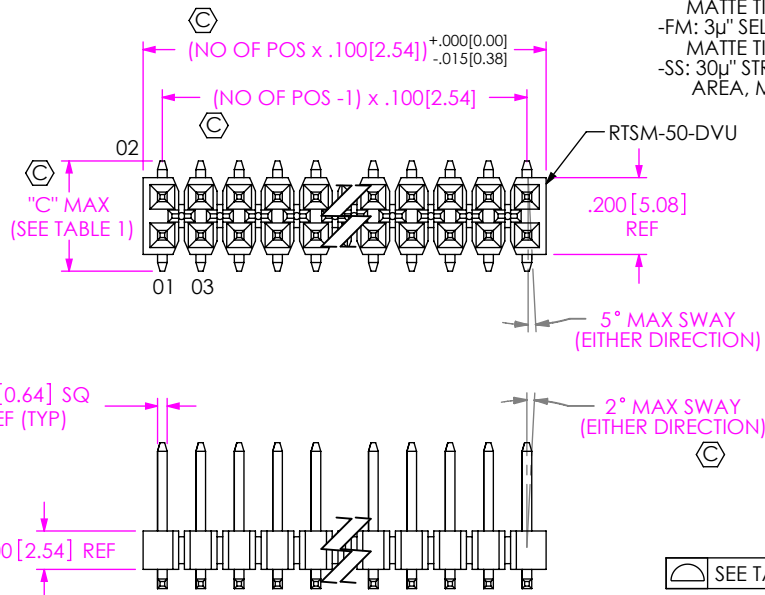


FIG 1  
TSM-1XX-XX-XXX-DV SHOWN

LEAD STYL	MOUNT STYLE	"B"	"C"	"D"	TERMINAL	OVERALL PIN LENGTH
-01	-DV	0.230 [5.84]	0.303 [7.70]	0.280 [7.11]	T-1S6-16-X-2	0.445 [11.30] REF
	-TM, -TV	0.230 [5.84]	---	---	T-1S6-17-X-2	0.480 [12.19] REF
-02	-DV	0.320 [8.13]	0.293 [7.44]	0.370 [9.40]	T-1S6-08-X-2	0.530 [13.46] REF
-03	-DV	0.420 [10.67]	0.293 [7.44]	0.470 [11.94]	T-1S6-15-X-2	0.630 [16.00] REF
-04	-DV	0.120 [3.05]	0.303 [7.70]	0.270 [6.86]	T-1S6-21-X-2	0.335 [8.51] REF
-05	-DV	0.075 [1.91]	0.323 [8.20]	0.270 [6.86]	T-1S6-18-X-2	0.300 [7.62] REF

TSM-1XX-XX-XXX-XX-X-XXX-X

No OF POSITIONS  
-02 THRU -50

LEAD STYLE  
(SEE TABLE 1)

PLATING SPECIFICATION

- T: MATTE TIN ON ENTIRE PIN.
- S: 30μ" SELECTIVE GOLD IN CONTACT AREA, MATTE TIN ON TAIL.
- G: 10μ" SELECTIVE GOLD IN CONTACT AREA, 3μ" SELECTIVE GOLD ON TAIL.
- L: 10μ" SELECTIVE GOLD IN CONTACT AREA, MATTE TIN ON TAIL.
- TL: TIN/LEAD (90/10) ON ENTIRE PIN.
- STL: 30μ" SELECTIVE GOLD IN CONTACT AREA, TIN/LEAD (90/10) ON TAIL.
- F: 3μ" SELECTIVE GOLD IN CONTACT AREA, MATTE TIN ON TAIL.
- H: 30μ" SELECTIVE GOLD IN CONTACT AREA, 3μ" SELECTIVE GOLD ON TAIL.
- TM: MATTE TIN ON ENTIRE PIN.
- SM: 30μ" SELECTIVE GOLD IN CONTACT AREA, MATTE TIN ON TAIL.
- LM: 10μ" SELECTIVE GOLD IN CONTACT AREA, MATTE TIN ON TAIL.
- FM: 3μ" SELECTIVE GOLD IN CONTACT AREA, MATTE TIN ON TAIL.
- SS: 30μ" STRIPE SELECTIVE GOLD IN CONTACT AREA, MATTE TIN ON TAIL. (SEE NOTE 10)

OPTION #3  
(NOT AVAILABLE WITH -TV & -TM MOUNT STYLES)  
-P: PICK AND PLACE PAD  
(USE PPP-06, SEE FIG 4, SHT 2)  
(AVAILABLE ON POS -04 THRU -36, -50)  
(AVAILABLE ON POS -02 & -03 WITH -TR OPTION ONLY, SEE NOTE 5)  
\*-M: METAL PICK AND PLACE PAD

\* FOR EXISTING CUSTOMERS ONLY  
(USE LMP-01, SEE FIG 5, SHT 2)  
(NOT RECOMMENDED WITH -T OR -TM PLATING)  
(LEAD STYLES -01 & -04 ONLY)  
(AVAILABLE ON POS 04 THRU 36)  
(AVAILABLE ON POS 02 AND 03 WITH -TR OPTION ONLY, SEE NOTE 5)  
-TR: TAPE AND REEL (SEE FIG 8, SHT 3)  
(02 THRU 28 POS)

OPTION #2  
POLARIZED POSITION  
SPECIFY OMITTED PIN

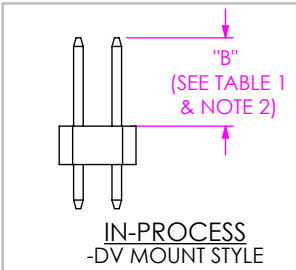
OPTION #1  
(AVAILABLE FOR -DV MOUNT STYLE ONLY)  
-LC: LOCKING CLIP (SEE FIG 2, SHT 2)  
(USE LC-05-TM)  
(-03 THRU -36 POS, USE 2 PER STRIP)  
(-02 POS, USE 1 PER STRIP)  
(USE RTSM-XX-DVU)  
(SEE NOTE 9)

-A: ALIGNMENT PIN (SEE FIG 3, SHT 2)  
(FOR MOLDED TO POSITION, USE RTSM-XX-DVU-XX BODY)  
(FOR STAKED, USE RTSM-50-DVU BODY, 5 POS MIN)  
(LEAVE BLANK FOR NO HOLD DOWN OPTION)  
USE RTSM-50-DVU SEE FIG 1, CAN BE CUT TO POSITION)

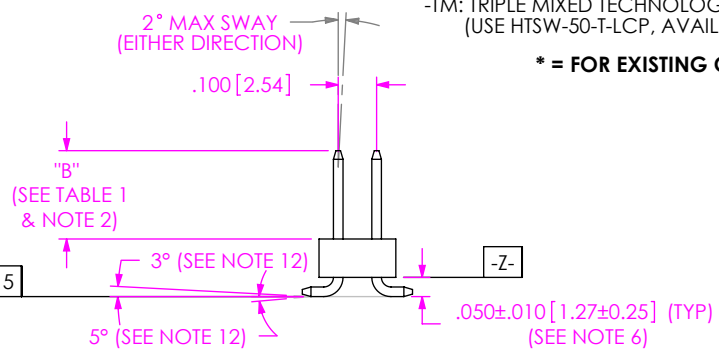
MOUNT STYLE

- DV: DOUBLE VERTICAL
- \* -TV: TRIPLE VERTICAL (-02 THRU -30 ONLY)  
(USE HTSW-50-T-LCP, SEE NOTE 8)
- TM: TRIPLE MIXED TECHNOLOGY (-02 THRU -30 ONLY)  
(USE HTSW-50-T-LCP, AVAILABLE ON -01 LEAD STYLE ONLY)

\* = FOR EXISTING CUSTOMERS ONLY



SEE TABLE 5



UNLESS OTHERWISE SPECIFIED, DIMENSIONS ARE IN INCHES. TOLERANCES ARE:  
DECIMALS ANGLES  
.XX: ±.01 [.3]  
.XXX: ±.005 [.13]  
.XXXX: ±.0020 [.051]

PROPRIETARY NOTE  
THIS DOCUMENT CONTAINS CONFIDENTIAL AND PROPRIETARY INFORMATION AND ALL DESIGN, MANUFACTURING, REPRODUCTION, USE, PATENT RIGHTS AND SALES RIGHTS ARE EXPRESSLY RESERVED BY SAMTEC, INC. THIS DOCUMENT SHALL NOT BE DISCLOSED, IN WHOLE OR PART, TO ANY UNAUTHORIZED PERSON OR ENTITY NOR REPRODUCED, TRANSFERRED OR INCORPORATED IN ANY OTHER PROJECT IN ANY MANNER WITHOUT THE EXPRESS WRITTEN CONSENT OF SAMTEC, INC.

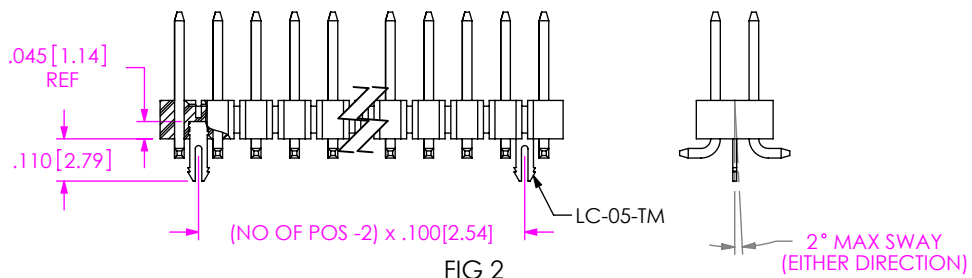
**samtec**  
520 PARK EAST BLVD, NEW ALBANY, IN 47150  
PHONE: 812-944-6733 FAX: 812-948-5047  
e-Mail info@SAMTEC.com code 55322

DESCRIPTION:  
DOUBLE ROW GULLWING ASM

DWG. NO.  
TSM-1XX-XX-XXX-XX-X-XXX-X

BY: BRYANT 04/24/1991 SHEET 1 OF 3

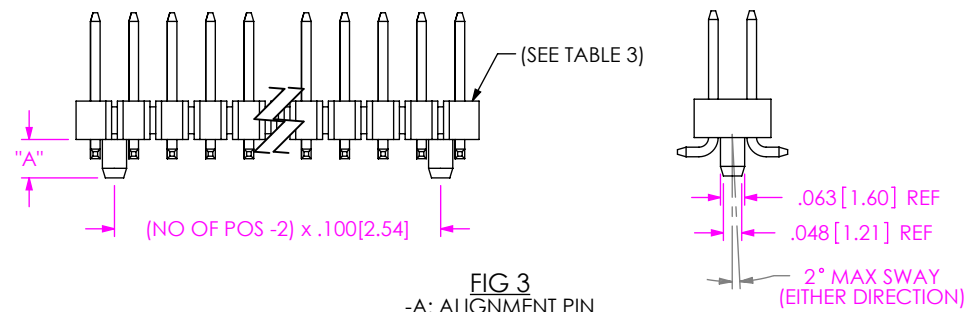




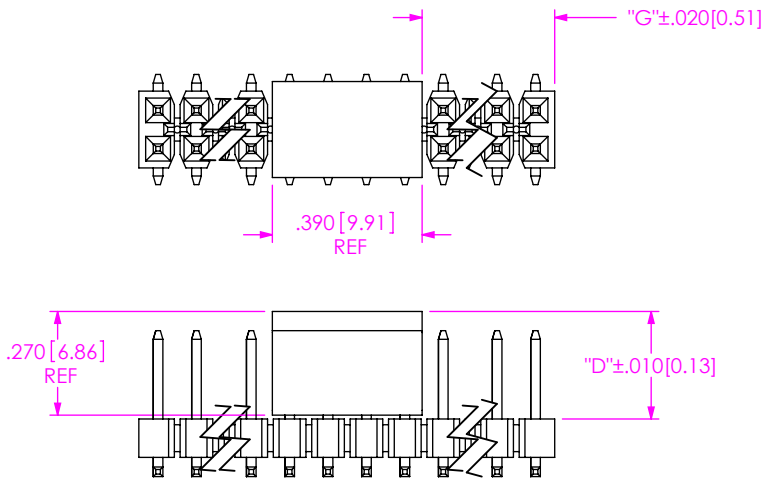
**FIG 2**  
-LC: LOCKING CLIP  
(DIFFERENT AS SHOWN, OTHERWISE SAME AS FIG 1)

TABLE 3			
	"A"	BODY	MIN NO OF POS
MOLDED	.100[2.54] REF	RTSM-50-DVU-X	2
*STAKED	.100[2.54]	RTSM-50-DVU-X	5

\* = USE TWO SM-AH'S

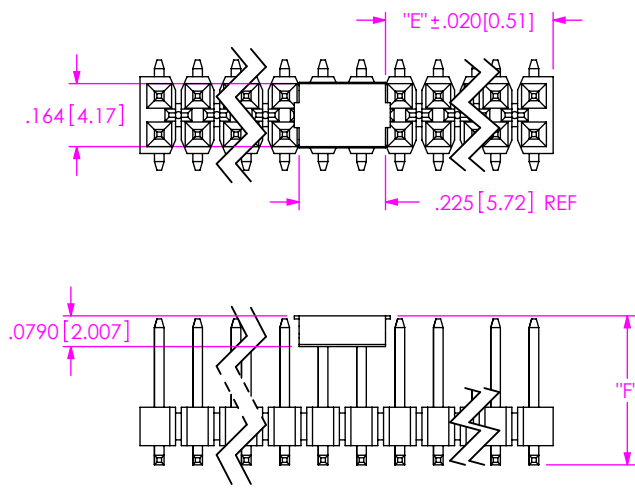


**FIG 3**  
-A: ALIGNMENT PIN  
(DIFFERENT AS SHOWN, OTHERWISE SAME AS FIG 1)



**FIG 4**  
-P: PICK AND PLACE PAD  
(DIFFERENT AS SHOWN, OTHERWISE SAME AS FIG 1)

"G" = ((NO OF POS x .100[2.54]) - .390[9.91])/2



**FIG 5**  
-M: METAL PICK AND PLACE PAD  
(DIFFERENT AS SHOWN, OTHERWISE SAME AS FIG 1)  
"E" = ((NO OF POS x .100[2.54]) - .225[5.72]) / 2

NOTE:  
HAND FILL USE LMP-01  
MACHINE FILL USE LMP-01

TABLE 2	
LEAD STYLE	"F"
-01	0.388[9.86]
-04	0.278[7.06]

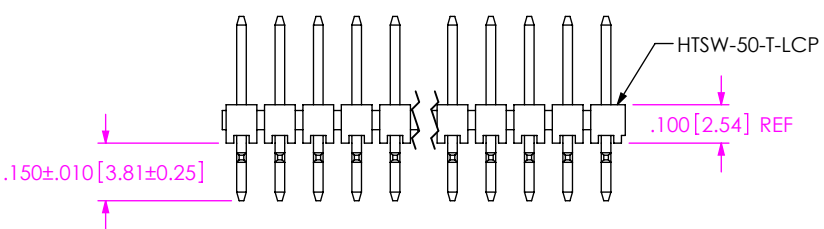
**PROPRIETARY NOTE**  
THIS DOCUMENT CONTAINS CONFIDENTIAL AND PROPRIETARY INFORMATION AND ALL DESIGN, MANUFACTURING, REPRODUCTION, USE, PATENT RIGHTS AND SALES RIGHTS ARE EXPRESSLY RESERVED BY SAMTEC, INC. THIS DOCUMENT SHALL NOT BE DISCLOSED, IN WHOLE OR PART, TO ANY UNAUTHORIZED PERSON OR ENTITY NOR REPRODUCED, TRANSFERRED OR INCORPORATED IN ANY OTHER PROJECT IN ANY MANNER WITHOUT THE EXPRESS WRITTEN CONSENT OF SAMTEC, INC.

DO NOT SCALE DRAWING  
SHEET SCALE: 2:1

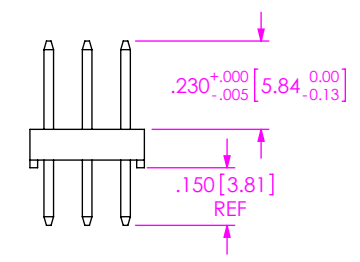
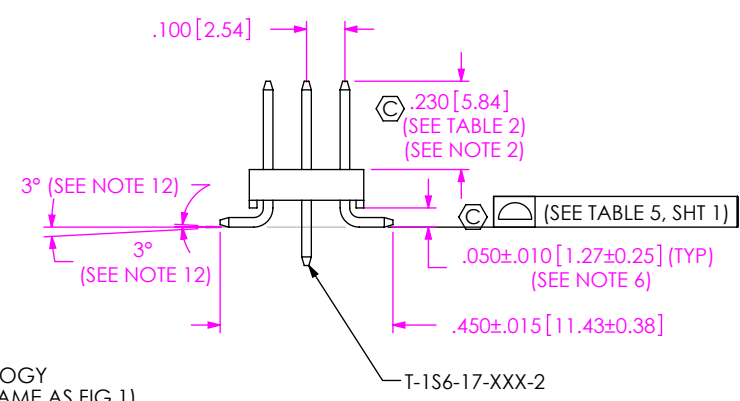


520 PARK EAST BLVD, NEW ALBANY, IN 47150  
PHONE: 812-944-6733 FAX: 812-948-5047  
e-Mail info@SAMTEC.com code 55322

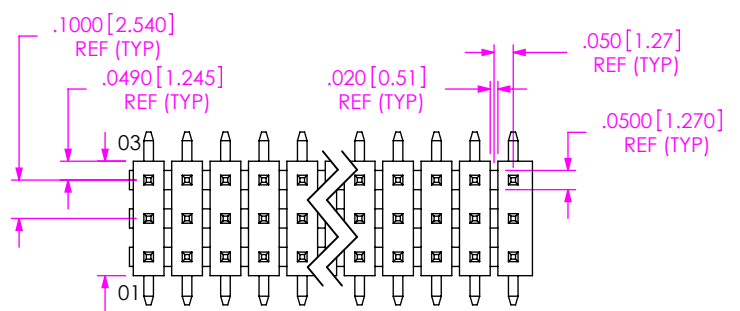
DESCRIPTION: DOUBLE ROW GULLWING ASM  
DWG. NO. TSM-1XX-XX-XXX-XX-X-XXX-X  
BY: BRYANT 04/24/1991 SHEET 2 OF 3



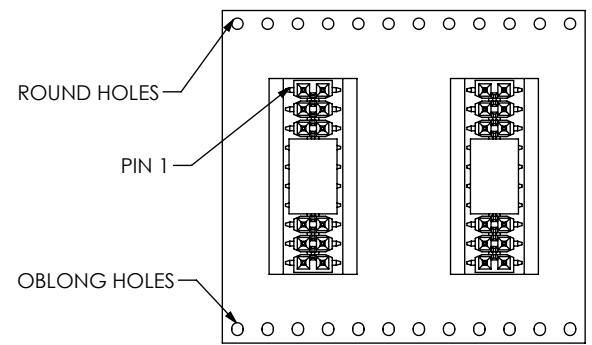
**FIG 6**  
-TM: TRIPLE MIXED TECHNOLOGY  
(DIFFERENT AS SHOWN, OTHERWISE SAME AS FIG 1)



**IN-PROCESS**  
-TM MOUNT STYLE

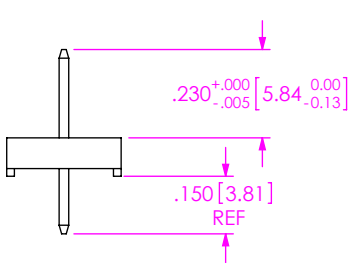


**FIG 7**  
-TV: TRIPLE VERTICAL  
(DIFFERENT AS SHOWN, OTHERWISE SAME AS FIG 6)  
**FOR EXISTING CUSTOMERS ONLY**

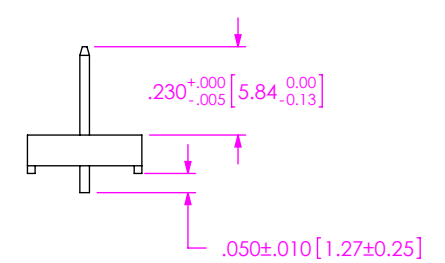


**FIG 8**  
PACKAGING VIEWS

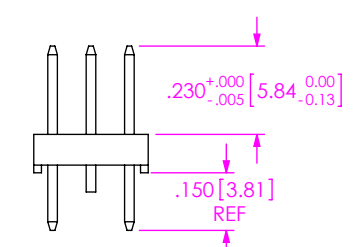
TABLE 4					
LEAD STYLE	MOUNT STYLE	OPTION	TUBE	PLUG	NOTE
01, 02, 04, 05	-DV	NONE	PT-1-24-01-29	TP-03	4
01, 02	-DV	-LC, -A	PT-1-24-01-29	TP-03	4
01, 04, 05	-DV	-P	PT-1-24-06-29	TP-03	4
01, 04, 05	-DV	-LC-P, -A-P	PT-1-24-06-29	TP-03	4
02	-DV	-P	PT-1-24-15-29	TP-07	4
02	-DV	-LC-P, -A-P	PT-1-24-15-29	TP-07	4
03	-DV	NONE	PT-1-24-09-29	TP-03	4
03	-DV	-LC, -A	PT-1-24-09-29	TP-03	4
03	-DV	-P	PT-1-24-16-29	TP-03	4
03	-DV	-LC-P, -A-P	PT-1-24-16-29	TP-03	4
04, 05	-DV	-LC, -A	PT-1-24-03-15	TP-03	4
01, 04, 05	-DV	-M, -LC-M, -A-M, -LC-A-M	PT-TSM004-DV	TP-03	4
01	-TM	NONE	PT-1-24-02-08	TP-13	4
01	-TV	NONE	PT-1-24-01-70	TP-07	4



**IN-PROCESS 1**  
-TV MOUNT STYLE



**IN-PROCESS 2**  
-TV MOUNT STYLE



**IN-PROCESS 3**  
-TV MOUNT STYLE

**PROPRIETARY NOTE**  
THIS DOCUMENT CONTAINS CONFIDENTIAL AND PROPRIETARY INFORMATION AND ALL DESIGN, MANUFACTURING, REPRODUCTION, USE, PATENT RIGHTS AND SALES RIGHTS ARE EXPRESSLY RESERVED BY SAMTEC, INC. THIS DOCUMENT SHALL NOT BE DISCLOSED, IN WHOLE OR IN PART, TO ANY UNAUTHORIZED PERSON OR ENTITY NOR REPRODUCED, TRANSFERRED OR INCORPORATED IN ANY OTHER PROJECT IN ANY MANNER WITHOUT THE EXPRESS WRITTEN CONSENT OF SAMTEC, INC.

DO NOT SCALE DRAWING  
SHEET SCALE: 2:1



520 PARK EAST BLVD, NEW ALBANY, IN 47150  
PHONE: 812-944-6733 FAX: 812-948-5047  
e-Mail info@SAMTEC.com code 55322

DESCRIPTION: **DOUBLE ROW GULLWING ASM**

DWG. NO. **TSM-1XX-XX-XXX-XX-X-XXX-X**

BY: BRYANT 04/24/1991 SHEET 3 OF 3