



Chipsmall Limited consists of a professional team with an average of over 10 year of expertise in the distribution of electronic components. Based in Hongkong, we have already established firm and mutual-benefit business relationships with customers from,Europe,America and south Asia,supplying obsolete and hard-to-find components to meet their specific needs.

With the principle of “Quality Parts,Customers Priority,Honest Operation,and Considerate Service”,our business mainly focus on the distribution of electronic components. Line cards we deal with include Microchip,ALPS,ROHM,Xilinx,Pulse,ON,Everlight and Freescale. Main products comprise IC,Modules,Potentiometer,IC Socket,Relay,Connector.Our parts cover such applications as commercial,industrial, and automotives areas.

We are looking forward to setting up business relationship with you and hope to provide you with the best service and solution. Let us make a better world for our industry!



## Contact us

Tel: +86-755-8981 8866 Fax: +86-755-8427 6832

Email & Skype: info@chipsmall.com Web: www.chipsmall.com

Address: A1208, Overseas Decoration Building, #122 Zhenhua RD., Futian, Shenzhen, China



**Specification Status: Released**

**Maximum Operating Voltage:** 250V<sub>DC</sub>

**Fault Ratings at 20°C:**

- 250V<sub>AC</sub>, 3A, 10 applications
- 600V<sub>AC</sub>, 60A, 1 application

**Additional Info at 20°C:**

- Resistance matched: 0.5 Ohm (measured 24 hours after reflow installation)
- Line Balance: Tested in accordance with IEEE455
- Helps equipment meet UL60950 (UL1459)

**Lead Material:** Tin plated brass

**Configuration:** Two PPTC devices per TSM600 part

**Case Material:**

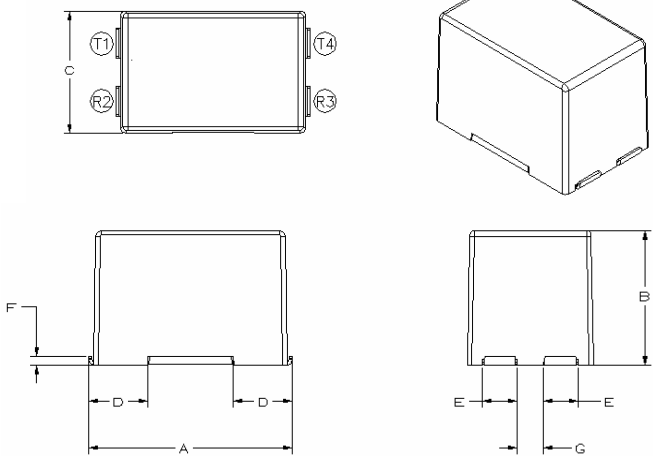
**Nylon Resin (UL94 V-0) 1000V dielectric rating**

**Marking:**

- Manufacturer's Mark
- TSM600-4 - Part Identification
- □ □ □ - Lot identification

**Terminal Description:**

- T1 = Tip In    T4 = Tip Out
- R2 = Ring In    R3 = Ring Out



**TABLE I. DIMENSIONS:**

	A		B		C		D		E		F		G	
	MIN	MAX	MIN	MAX	MIN	MAX	MIN	MAX	MIN	MAX	MIN	MAX	MIN	MAX
mm:	17.0	17.6	11.2	11.7	10.4	11.2	4.8	5.2	2.5	2.8	0.6	1.0	2.2	3.1
in:	(0.671)	(0.691)	(0.440)	(0.460)	(0.410)	(0.440)	(0.187)	(0.203)	(0.099)	(0.111)	(0.022)	(0.038)	(0.087)	(0.122)

**TABLE II. PERFORMANCE RATINGS @ 20°C:**

HOLD CURRENT (A)	TRIP CURRENT (A)	RESISTANCE (Ω)**			TIME TO TRIP(Sec) @ 3A		OPERATING TEMPERATURE (°C)		TRIPPED POWER DISSIPATION (W) @ 250V <sub>DC</sub> TYP
		R MIN	R TYP	R <sub>1</sub> MAX*	TYP	MAX	MIN	MAX	
0.400	1.000	0.5	1.1	2.0	5.0	14.0	-40	85	2.0

\*Maximum device resistance, measured 1-hour post reflow or post trip

\*\* Resistance per PPTC device.

- Storage Humidity: Per IPC/JEDEC J-STD-020A Level 2a
- Agency Recognitions: UL (File # E74889)
- Reference Documents: PS300, PS500
- Precedence: This specification takes precedence over documents referenced herein.
- Effectivity: Reference documents shall be the issue in effect on the date of invitation for bid.

**MATERIALS INFORMATION**

**ROHS Compliant**

Directive 2002/95/EC Compliant

**ELV Compliant**

Directive 2000/53/EC Compliant

**Pb-Free**



Information furnished is believed to be accurate and reliable. However, users should independently evaluate the suitability of and test each product selected for their own applications. Littelfuse products are not designed for, and shall not be used for, any purpose (including, without limitation, military, aerospace, medical, lifesaving, life-sustaining or nuclear facility applications, devices intended for surgical implant into the body, or any other application in which the failure or lack of desired operation of the product may result in personal injury, death, or property damage) other than those expressly set forth in applicable Littelfuse product documentation. Warranties granted by Littelfuse shall be deemed void for products used for any purpose not expressly set forth in applicable Littelfuse documentation. Littelfuse shall not be liable for any claims or damages arising out of products used in applications not expressly intended by Littelfuse as set forth in applicable Littelfuse documentation. The sale and use of Littelfuse products is subject to Littelfuse Terms and Conditions of Sale, unless otherwise agreed by Littelfuse.