



Chipsmall Limited consists of a professional team with an average of over 10 year of expertise in the distribution of electronic components. Based in Hongkong, we have already established firm and mutual-benefit business relationships with customers from,Europe,America and south Asia,supplying obsolete and hard-to-find components to meet their specific needs.

With the principle of “Quality Parts,Customers Priority,Honest Operation,and Considerate Service”,our business mainly focus on the distribution of electronic components. Line cards we deal with include Microchip,ALPS,ROHM,Xilinx,Pulse,ON,Everlight and Freescale. Main products comprise IC,Modules,Potentiometer,IC Socket,Relay,Connector.Our parts cover such applications as commercial,industrial, and automotives areas.

We are looking forward to setting up business relationship with you and hope to provide you with the best service and solution. Let us make a better world for our industry!



Contact us

Tel: +86-755-8981 8866 Fax: +86-755-8427 6832

Email & Skype: info@chipsmall.com Web: www.chipsmall.com

Address: A1208, Overseas Decoration Building, #122 Zhenhua RD., Futian, Shenzhen, China



Specification

1X9 Form Factor

Duplex SC Receptacle – DSC

Optical Transceivers

STM-1 / OC-3 / 100BASE
155.52Mbit/s



Ordering Information

T S P - D x A A 2 - M 2 1

Voltage / Temperature

1 : 3.3V / +0°C~ +70°C

2 : 3.3V / -40 °C~ +85°C

Model Name	Voltage	Category	Device type	Interface	SD/LOS	Temperature	Distance
TSP-D1AA2-M21	3.3 V	W/O DDMI	FP / PIN	DC / DC Coupling	LVPECL	+ 0 °C~ + 70 °C	60km
TSP-D2AA2-M21						- 40 °C~ + 85 °C	

Features

- ROHS Compliant
- Standard 1X9 Form Factor
- SONET/SDH Standard Compliant
- Fast Ethernet Standard Compliant
- Laser Class 1 Product – IEC60825-1 Compliant
- Standard Duplex SC Receptacle Optical Interface
- Single + 3.3 V Power Supply
- Differential LVPECL Data Input and Output
- LVPECL Signal Detect
- Low Power Consumption

Absolute Maximum Ratings

Parameter	Symbol	Min	Typ	Max	Unit
Storage temperature	T _s	-40	-	85	°C
Supply voltage	V _{CC}	0	-	4	V
Operating Relative Humidity	-	5	-	95	%
Input voltage	V _{IN}	0	-	V _{CC}	V

Operating Conditions

Parameter	Symbol	Min	Typ	Max	Unit
Supply Voltage	V _{CC}	3.1	3.3	3.5	V
Operating Case temperature (TSP-D1AA2-M21)	T _c	0	-	70	°C
Operating Case temperature (TSP-D2AA2-M21)		-40	-	85	
Total Current (Transmitter + Receiver)	I _{CC}	-	-	250	mA
Hand Lead Soldering Temperature / Time	T _h	-	-	260/10	°C /sec
Wave Lead Soldering Temperature / Time	T _w	-	-	260/10	°C /sec

Transmitter Specifications ($V_{CC}=3.1V\sim 3.5V$; $T_C= 0^{\circ}C\sim 70^{\circ}C$ / $T_C= -40^{\circ}C\sim 85^{\circ}C$)

Parameter	Symbol	Min	Typ	Max	Unit
Optical Characteristics					
Output Optical Power	P_{out}	-5	--	0	dBm
Extinction Ratio	ER	9	--	--	dB
Center Wavelength	λ_c	1270	1310	1355	nm
Spectral Width (RMS)	σ	--	--	2.5	nm
Rise/Fall time (10-90%)	$T_{r,f}$	--	--	2	ns
Relative Intensity Noise	RIN	--	--	-120	dB/Hz
Output Eye	Compliant with ITU-T G.957				
Electrical Characteristics					
Transmitter Data Input Voltage - High	$V_{IH}-V_{CC}$	-1.1	--	-0.74	V
Transmitter Data Input Voltage - Low	$V_{IL}-V_{CC}$	-2.0		-1.58	V

Receiver Specifications ($V_{CC}=3.1V\sim 3.5V$; $T_C= 0^{\circ}C\sim 70^{\circ}C$ / $T_C= -40^{\circ}C\sim 85^{\circ}C$)

Parameter	Symbol	Min	Typ	Max	Unit
Optical Characteristics					
Optical Input Power-maximum	P_{SATIN}	-3	--	--	dBm
Receiver Sensitivity (PRBS= $2^{23}-1$; $BER \leq 10^{-10}$)	P_{SAN}	--	--	-35	dBm
Operating Center Wavelength	λ_c	1260		1610	nm
Signal Detect – Asserted	P_{SA}	--	--	-35	dBm
Signal Detect – De-asserted	P_{SD}	-45	--	--	dBm
Signal Detect – Hysteresis	P_{SH}	0.5		6	dB
Electrical Characteristics					
Differential Output Voltage	V_{DIFF}	0.4	--	2.0	V
Signal Detect Output Voltage - High	$V_{OH}-V_{CC}$	-1.1	--	-0.74	V
Signal Detect Output Voltage - Low	$V_{OL}-V_{CC}$	-2.0		-1.58	V

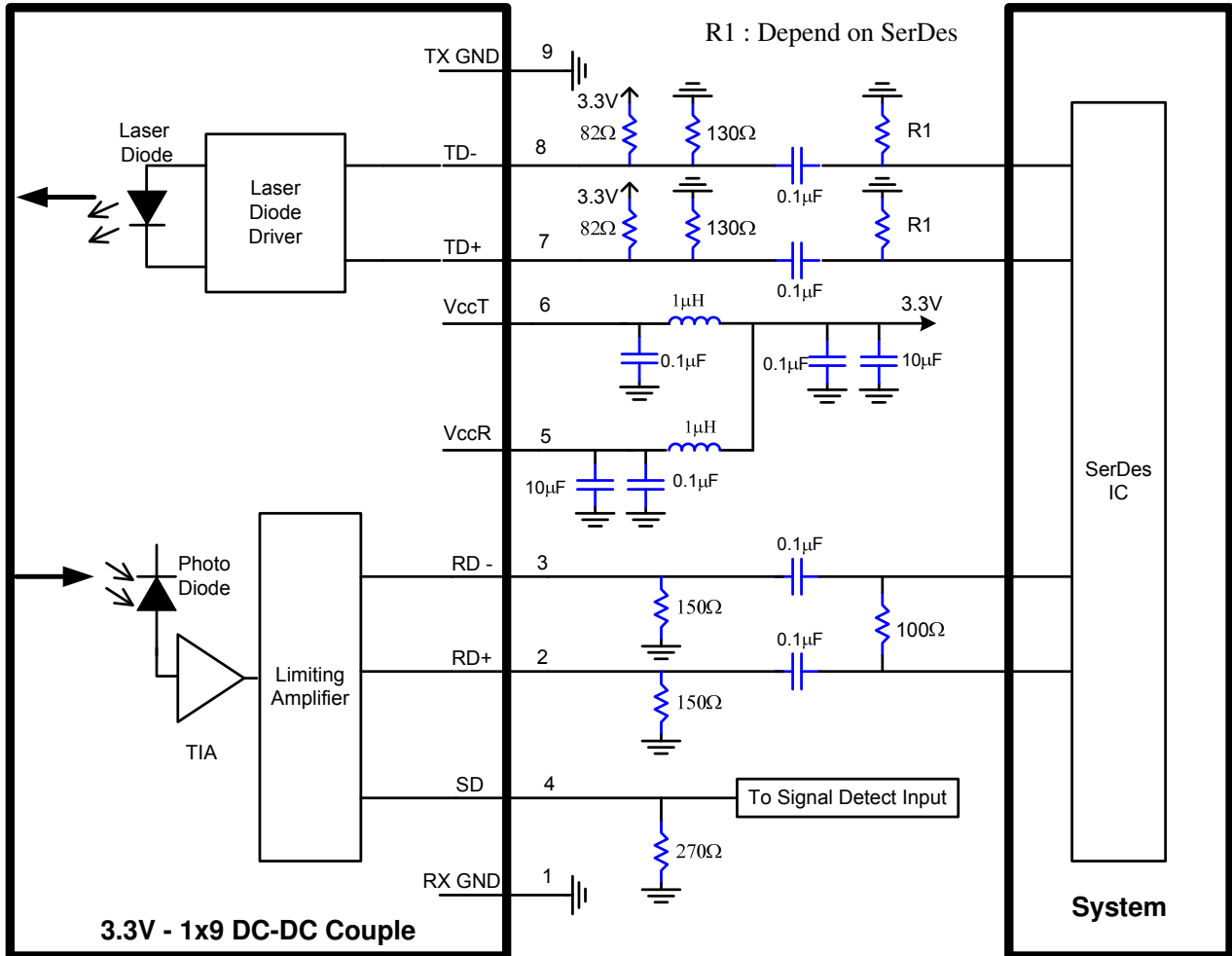
Pin Definition and Descriptions

9. TX GND _r	
8. TD+	N/C
7. TD-	
6. V _{CCT}	
5. V _{CCR}	
4. SD	
3. RD-	
2. RD+	N/C
1. RX GND	

Bottom VIEW

Pin	Name	Description
1	RX GND	Receiver Signal Ground
2	RD+	Receiver Data Out
3	RD-	Receiver Data Out Bar
4	SD	Signal Detect
5	V _{CCR}	Receiver Power Supply
6	V _{CCT}	Transmitter Power Supply
7	TD-	Transmitter Data In Bar
8	TD+	Transmitter Data In
9	TX GND	Transmitter Signal Ground

Recommended Circuit Diagram



Mechanical Outlines

(Unit : mm)

