



Chipsmall Limited consists of a professional team with an average of over 10 year of expertise in the distribution of electronic components. Based in Hongkong, we have already established firm and mutual-benefit business relationships with customers from,Europe,America and south Asia,supplying obsolete and hard-to-find components to meet their specific needs.

With the principle of “Quality Parts,Customers Priority,Honest Operation,and Considerate Service”,our business mainly focus on the distribution of electronic components. Line cards we deal with include Microchip,ALPS,ROHM,Xilinx,Pulse,ON,Everlight and Freescale. Main products comprise IC,Modules,Potentiometer,IC Socket,Relay,Connector.Our parts cover such applications as commercial,industrial, and automotives areas.

We are looking forward to setting up business relationship with you and hope to provide you with the best service and solution. Let us make a better world for our industry!



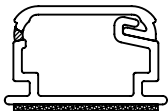
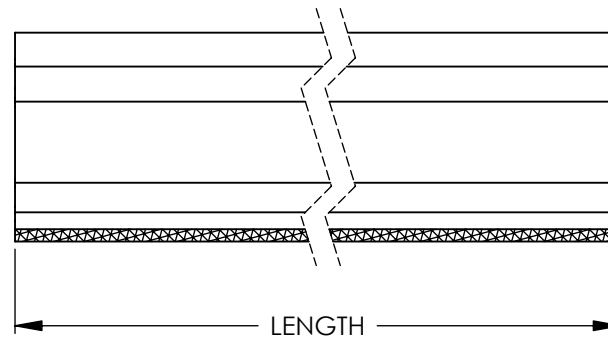
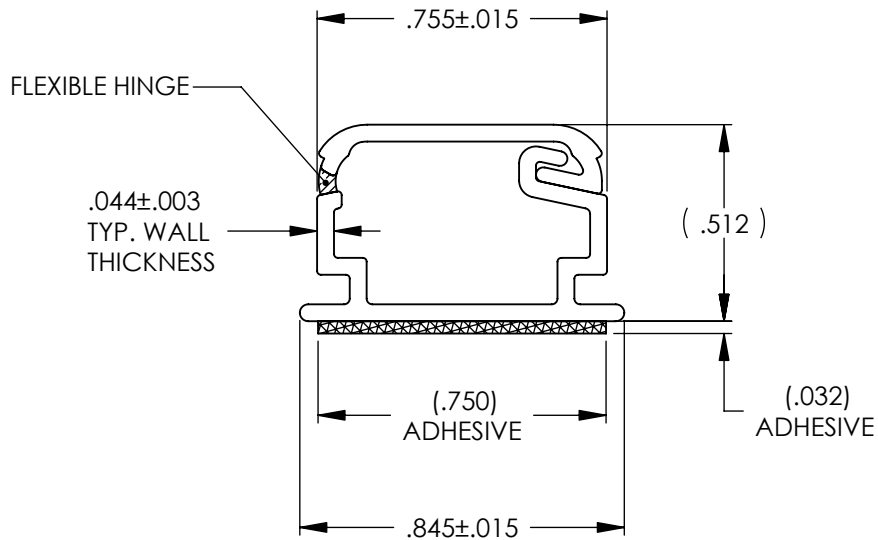
Contact us

Tel: +86-755-8981 8866 Fax: +86-755-8427 6832

Email & Skype: info@chipsmall.com Web: www.chipsmall.com

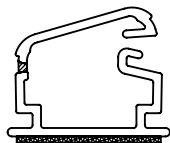
Address: A1208, Overseas Decoration Building, #122 Zhenhua RD., Futian, Shenzhen, China





CLOSED

FULL SIZE



AS EXTRUDED

PART NO. DESCRIPTION

TSR1__-6A

COLOR:
 I = IVORY
 FW = OFFICE WHITE
 W = WHITE
 (FOR OTHER COLORS
 CONTACT FACTORY)

| | |
|-----------------|-----------------|
| TSR1__-8A | 96.000 +/- .125 |
| TSR1__-6A | 72.000 +/- .125 |
| TSR1__-5A | 60.000 +/- .125 |
| TSR1__-4A | 47.000 +/- .125 |
| PART NO. | LENGTH |

INVENTORS

HellermannTyton®

ALL PROPRIETARY RIGHTS IN THE SUBJECT MATTER SHOWN ON THIS DRAWING ARE EXCLUSIVE PROPERTY OF HELLERMANNTYTON

| | | |
|------|------|-------------|
| name | date | city, state |
| | | |
| | | |
| | | |

REVISION

| | | |
|---|------------|-----------|
| D | level | 03 |
| R | by | PLN |
| A | date | 07/15/02 |
| W | ECN # | 003267 |
| I | part level | - |
| N | | |
| G | | |

DIMENSIONS

TOLERANCES
 .xxxx = ±.0005
 .xxx = ±.005
 .xx = ±.01
 .x = ±.03
 < = ±0.5°
 unless otherwise specified
 units inches

PART

| | | | |
|----------|------------------------------|-------|------------|
| number | SEE CHART | phase | PRODUCTION |
| name | TSR1 3/4" SURFACE RACEWAY | | |
| material | PVC | | |

DRAWING

| | | | | | | | |
|----------------------|---------------------|---------|-----------------|----------|----|-------|-----|
| format | version | N | AH | CAD | SW | scale | 2:1 |
| computer file number | DT3026017CST_03 | | previous number | | | | |
| drawn | K.A.C. | checked | K.A.C. | approved | | | |
| | 06/26/96 | | 07/16/02 | | | | |
| type | CUSTOMER | | sheet 1 of 1 | | | | |
| number | DT3026017CST | | | | | | |