



Chipsmall Limited consists of a professional team with an average of over 10 year of expertise in the distribution of electronic components. Based in Hongkong, we have already established firm and mutual-benefit business relationships with customers from,Europe,America and south Asia,supplying obsolete and hard-to-find components to meet their specific needs.

With the principle of “Quality Parts,Customers Priority,Honest Operation,and Considerate Service”,our business mainly focus on the distribution of electronic components. Line cards we deal with include Microchip,ALPS,ROHM,Xilinx,Pulse,ON,Everlight and Freescale. Main products comprise IC,Modules,Potentiometer,IC Socket,Relay,Connector.Our parts cover such applications as commercial,industrial, and automotives areas.

We are looking forward to setting up business relationship with you and hope to provide you with the best service and solution. Let us make a better world for our industry!



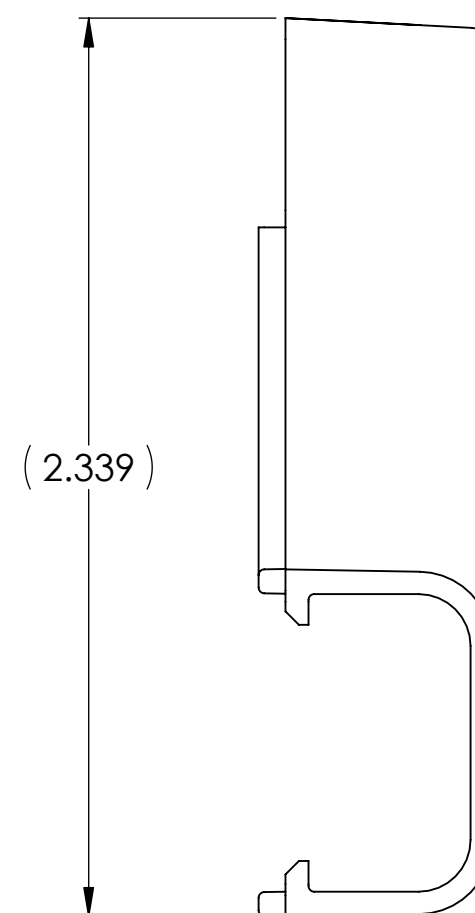
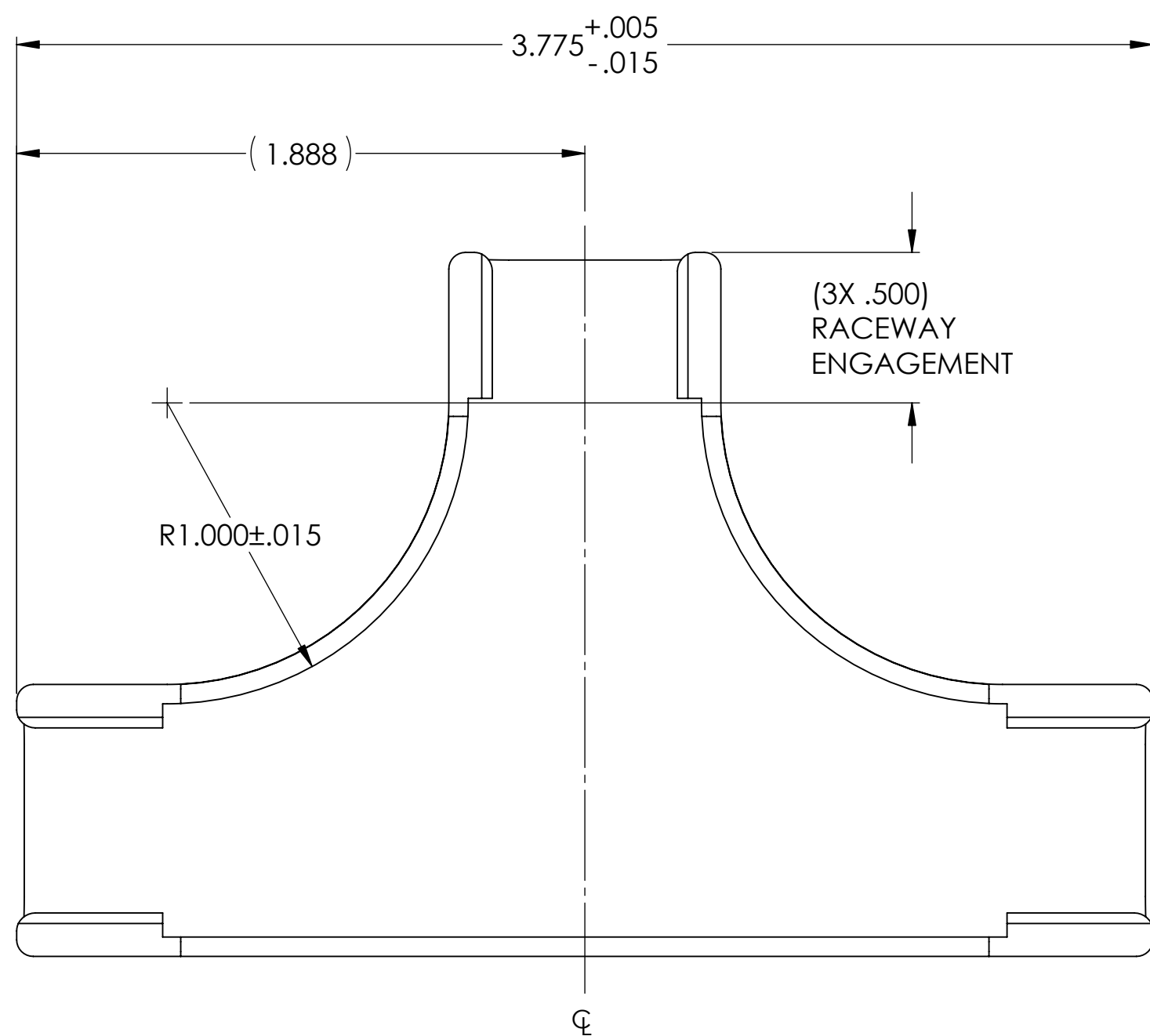
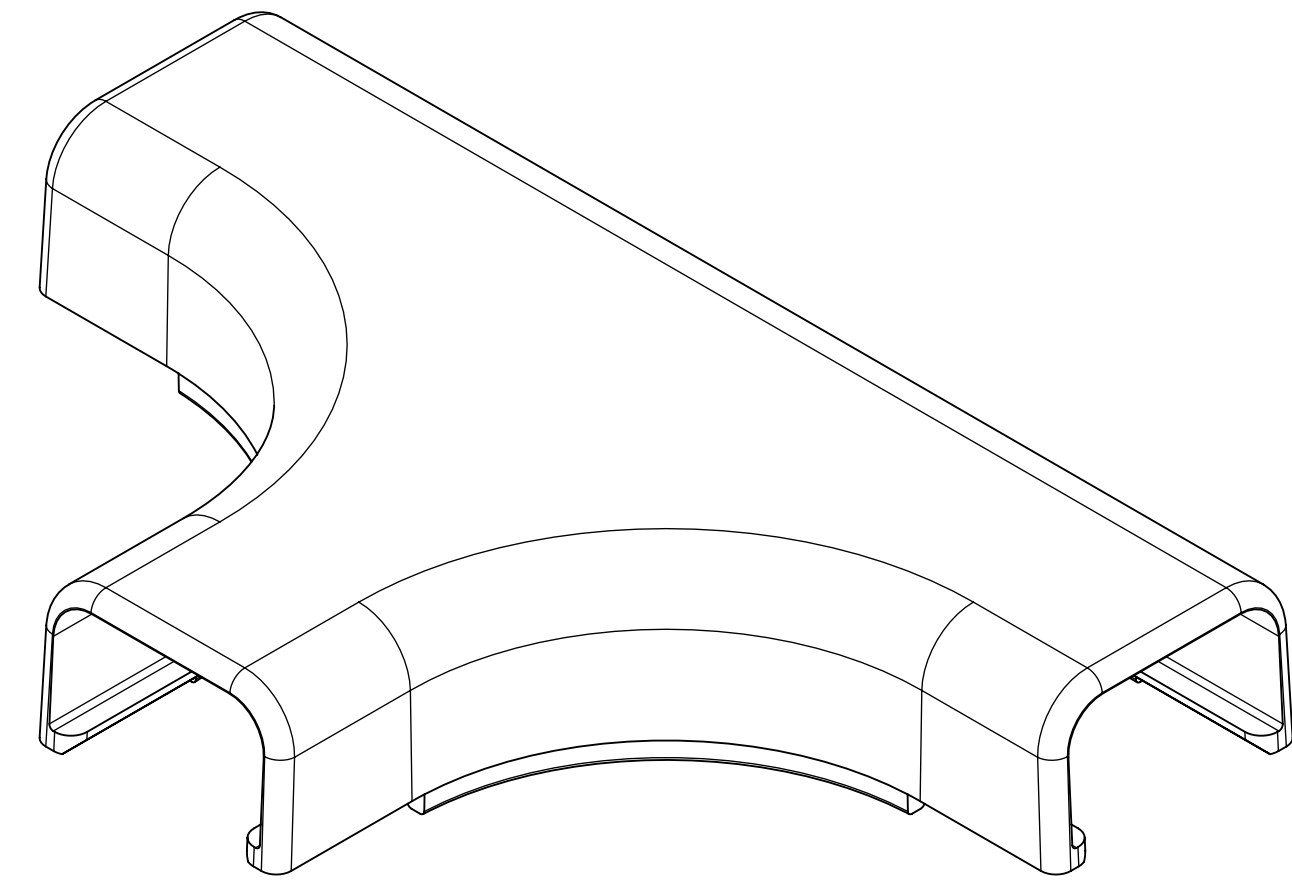
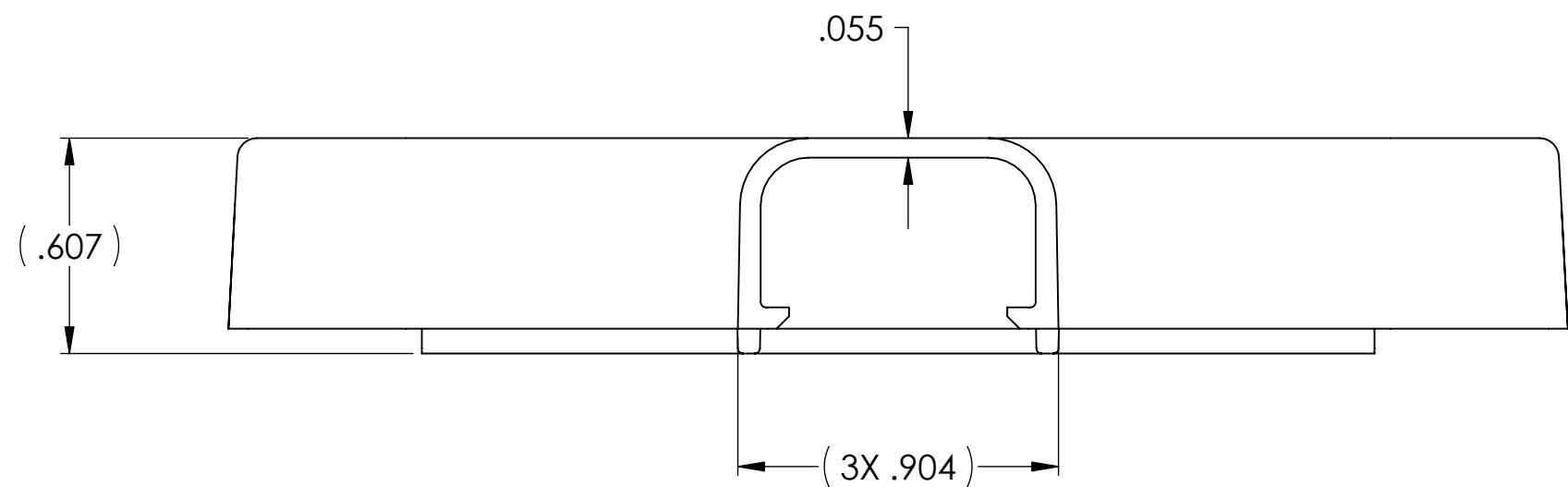
Contact us

Tel: +86-755-8981 8866 Fax: +86-755-8427 6832

Email & Skype: info@chipsmall.com Web: www.chipsmall.com

Address: A1208, Overseas Decoration Building, #122 Zhenhua RD., Futian, Shenzhen, China





PART NO. DESCRIPTION

TSR1_-21-1

COLOR:
 I = IVORY
 FW = OFFICE WHITE
 W = WHITE
 (FOR OTHER COLORS
 CONTACT FACTORY)

REDUCED
 NO SCALE

HellermannTyton®
 ALL PROPRIETARY RIGHTS IN THE SUBJECT MATTER SHOWN ON THIS DRAWING ARE EXCLUSIVE PROPERTY OF HELLERMANN TYTON

name	date	city, state

NOTES

- PART IS SYMMETRICAL ABOUT ¢.
- THIS PART MATES WITH (3) TSR1 RACEWAYS.

REVISIONS

DR level	01
AW by	PLN
JN date	07/10/02
ECN #	003259
part level	B

TOLERANCES

.xxxx = ± .0005
 .xxx = ± .005
 .xx = ± .01
 .x = ± .03
 < = ± 0.5°
 unless otherwise specified

DIMENSIONS

units inches

PART

number	TSR1_-21-1	phase	PRODUCTION
name TSR1-21-1 3/4" TEE WITH 1" MIN BEND RADIUS			
material	PVC		

DRAWING

format	version N	C	CAD	SW	scale	2:1
computer file number	DT3032004CST_01	previous number	DT\CST\3032004A			
drawn	J. STOLZ	checked	KAC	approved		
date	03/25/96	date	07/11/02	approved		
type	CUSTOMER			sheet	1 of 1	
number	DT3032004CST					