



Chipsmall Limited consists of a professional team with an average of over 10 year of expertise in the distribution of electronic components. Based in Hongkong, we have already established firm and mutual-benefit business relationships with customers from,Europe,America and south Asia,supplying obsolete and hard-to-find components to meet their specific needs.

With the principle of “Quality Parts,Customers Priority,Honest Operation,and Considerate Service”,our business mainly focus on the distribution of electronic components. Line cards we deal with include Microchip,ALPS,ROHM,Xilinx,Pulse,ON,Everlight and Freescale. Main products comprise IC,Modules,Potentiometer,IC Socket,Relay,Connector.Our parts cover such applications as commercial,industrial, and automotives areas.

We are looking forward to setting up business relationship with you and hope to provide you with the best service and solution. Let us make a better world for our industry!



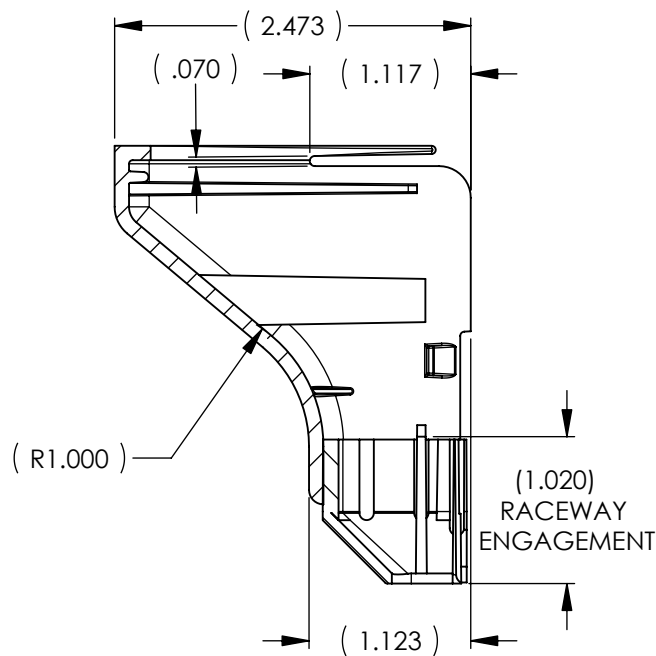
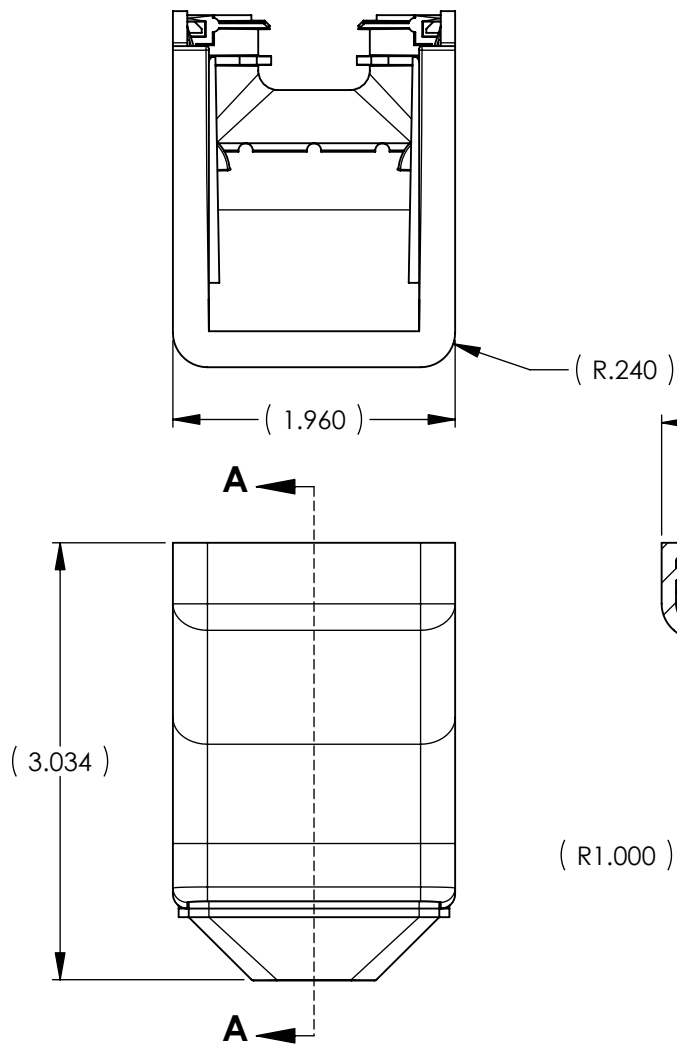
Contact us

Tel: +86-755-8981 8866 Fax: +86-755-8427 6832

Email & Skype: info@chipsmall.com Web: www.chipsmall.com

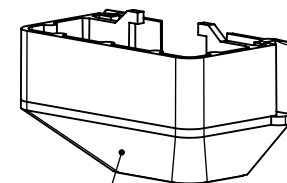
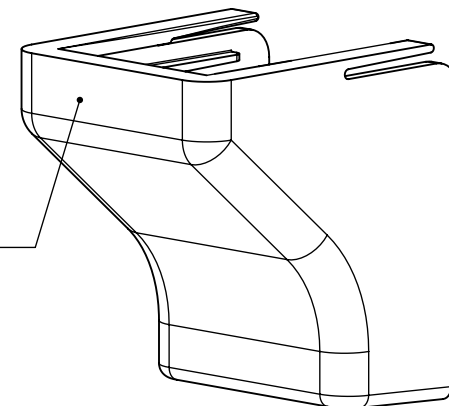
Address: A1208, Overseas Decoration Building, #122 Zhenhua RD., Futian, Shenzhen, China





SECTION A-A

TSR3-50C
CEILING DROP COVER



TSR2-12
1 3/4" TO 3/4" REDUCER

PART NO. DESCRIPTION

TSR1__-50

COLOR:
I = IVORY
FW = OFFICE WHITE
W = WHITE
(FOR OTHER COLORS
CONTACT FACTORY)

NOTE:
1. THIS ASSEMBLY MATES WITH
(1) TSR1 RACEWAY

I
N
V
E
N
T
O
R
S

HellermannTyton®

ALL PROPRIETARY RIGHTS IN THE SUBJECT MATTER SHOWN ON THIS DRAWING ARE EXCLUSIVE PROPERTY OF HELLERMANNTYTON

name	date	city, state

R
E
V
I
S
I
O
N

D	level	02
R	by	PLN
A	date	01/14/03
W	ECN #	003575
I	part level	-
N		
G		

D
I
M
E
N
S
I
O
N
S

TTTT	= ±.0005
.xxx	= ±.005
.xx	= ±.01
.x	= ±.03
∠	= ±0.5°
unless otherwise specified	
units	inches

P
A
R
T

number	TSR1__-50	phase	PRODUCTION
name	TSR1-50 3/4" CEILING DROP		
material	PVC		

D
R
A
W
I
N
G

format	version	N	AH	CAD	SW	scale	3:4
computer file number	DT3026001CST_02		previous number				
drawn	K.A.C.	checked	K.A.C.	approved			
	10/30/91		03/21/03				
type	CUSTOMER		sheet 1 of 1				
number	DT3026001CST						