



Chipsmall Limited consists of a professional team with an average of over 10 year of expertise in the distribution of electronic components. Based in Hongkong, we have already established firm and mutual-benefit business relationships with customers from,Europe,America and south Asia,supplying obsolete and hard-to-find components to meet their specific needs.

With the principle of “Quality Parts,Customers Priority,Honest Operation,and Considerate Service”,our business mainly focus on the distribution of electronic components. Line cards we deal with include Microchip,ALPS,ROHM,Xilinx,Pulse,ON,Everlight and Freescale. Main products comprise IC,Modules,Potentiometer,IC Socket,Relay,Connector.Our parts cover such applications as commercial,industrial, and automotives areas.

We are looking forward to setting up business relationship with you and hope to provide you with the best service and solution. Let us make a better world for our industry!



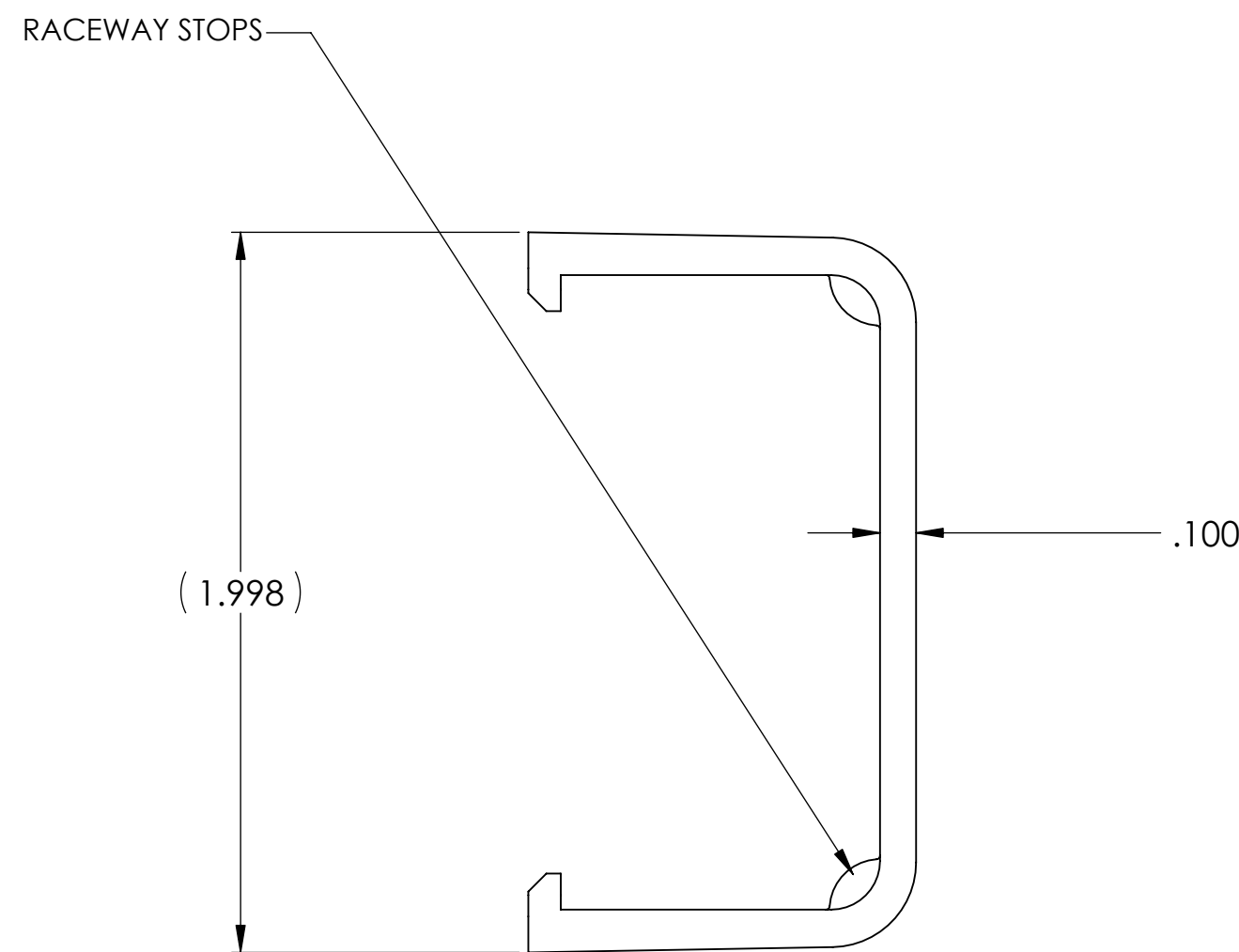
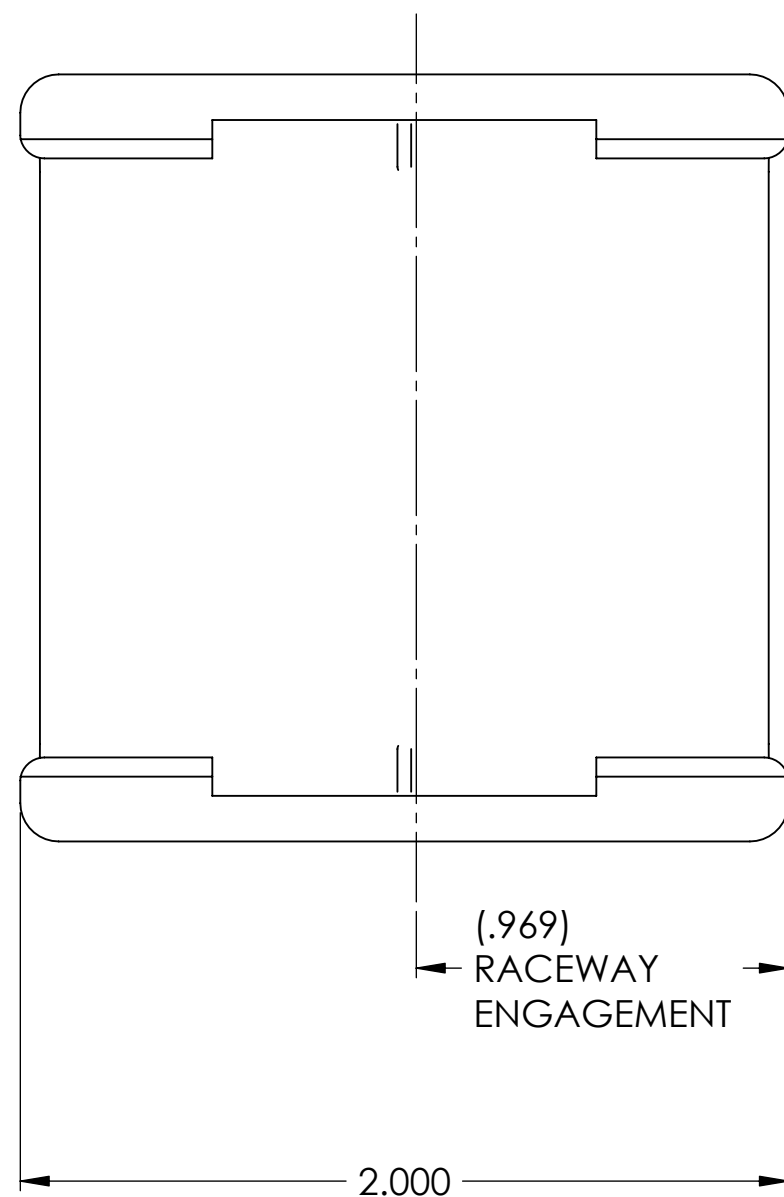
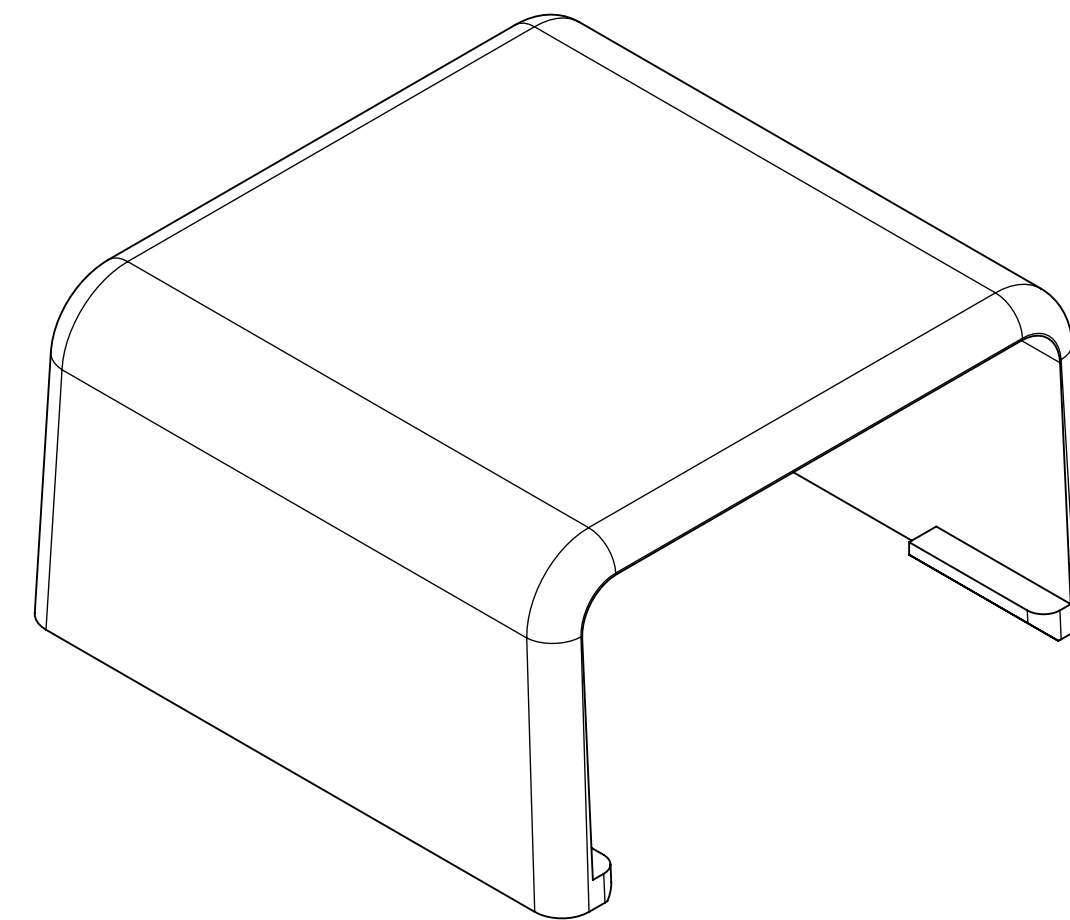
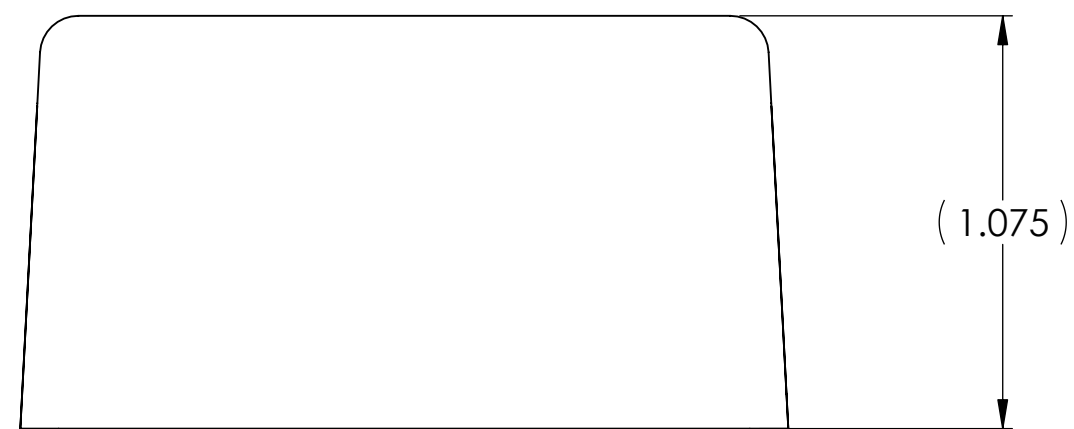
Contact us

Tel: +86-755-8981 8866 Fax: +86-755-8427 6832

Email & Skype: info@chipsmall.com Web: www.chipsmall.com

Address: A1208, Overseas Decoration Building, #122 Zhenhua RD., Futian, Shenzhen, China





PART NO.	DESCRIPTION
TSRP3_-14	POWER-RATED SYSTEM
TSR3_-14	LOW VOLTAGE SYSTEM
PART NO.	DESCRIPTION

TSR3_-14

COLOR:
 I = IVORY
 FW = OFFICE WHITE
 W = WHITE
 (FOR OTHER COLORS
 CONTACT FACTORY)

REDUCED
 NO SCALE

INVENTORS

HellermannTyton®

ALL PROPRIETARY RIGHTS IN THE SUBJECT MATTER SHOWN ON THIS DRAWING ARE EXCLUSIVE PROPERTY OF HELLERMANN TYTON

name	date	city, state

NOTES

1. THIS PART MATES WITH (2) TSR3 OR (2) TSRP3 RACEWAYS.

REVISIONS

REV	DATE	BY	DESCRIPTION
02	01/24/03	PLN	

DIMENSIONS

TOLERANCES	UNITS
.xxxx = ±.0005	inches
.xxx = ±.005	
.xx = ±.01	
.x = ±.03	
∠ = ±0.5°	
unless otherwise specified	

PART

number	phase
SEE CHART	PRODUCTION
name	TSR3-14 & TSRP3-14 1 3/4" SPLICE COVER
material	PVC

DRAWING

format	version	CAD	SW	scale
N	C			2:1
computer file number	previous number			
DT3026109CST_02	DT\CST\3026109B			
drawn	checked	approved		
MN/CE	KAC			
08/19/96	03/27/03			
type	CUSTOMER	sheet	1 of 1	
number	DT3026109CST			