



Chipsmall Limited consists of a professional team with an average of over 10 year of expertise in the distribution of electronic components. Based in Hongkong, we have already established firm and mutual-benefit business relationships with customers from,Europe,America and south Asia,supplying obsolete and hard-to-find components to meet their specific needs.

With the principle of “Quality Parts,Customers Priority,Honest Operation,and Considerate Service”,our business mainly focus on the distribution of electronic components. Line cards we deal with include Microchip,ALPS,ROHM,Xilinx,Pulse,ON,Everlight and Freescale. Main products comprise IC,Modules,Potentiometer,IC Socket,Relay,Connector.Our parts cover such applications as commercial,industrial, and automotives areas.

We are looking forward to setting up business relationship with you and hope to provide you with the best service and solution. Let us make a better world for our industry!



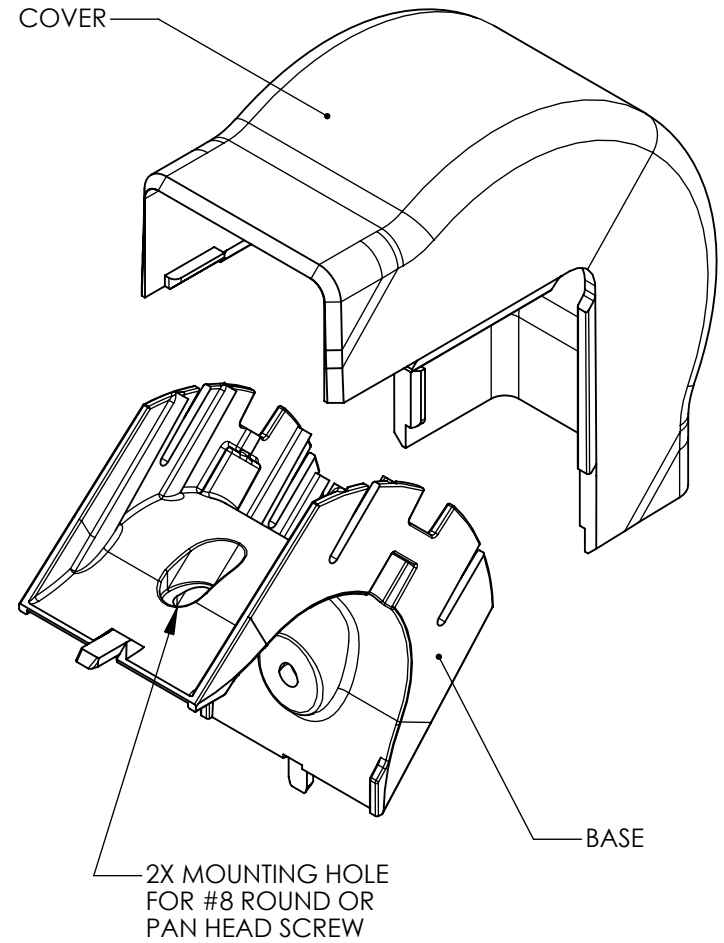
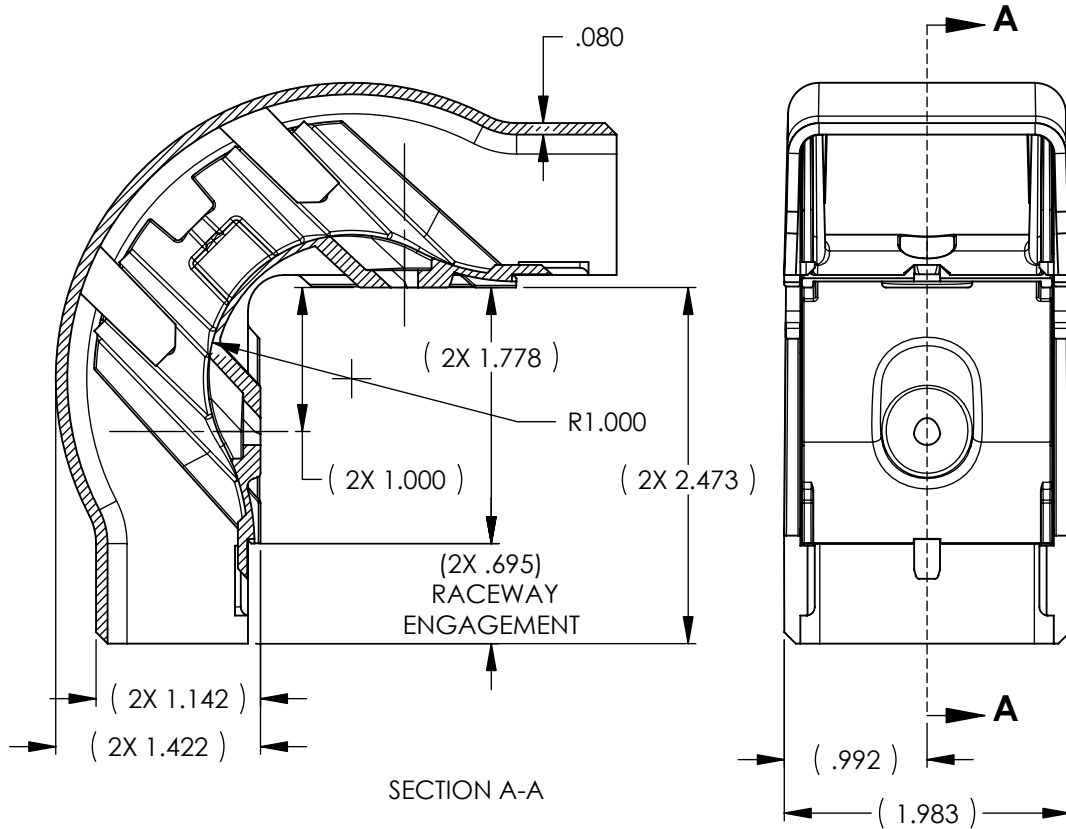
Contact us

Tel: +86-755-8981 8866 Fax: +86-755-8427 6832

Email & Skype: info@chipsmall.com Web: www.chipsmall.com

Address: A1208, Overseas Decoration Building, #122 Zhenhua RD., Futian, Shenzhen, China





PART NO. DESCRIPTION

TSR3_-29-1

COLOR:
I = IVORY
FW = OFFICE WHITE
W = WHITE
(FOR OTHER COLORS
CONTACT FACTORY)

TSRP3_-29-1	POWER-RATED SYSTEM
TSR3_-29-1	LOW VOLTAGE SYSTEM
PART NO.	DESCRIPTION

NOTE:
1. THIS ASSEMBLY MATES WITH (2)
TSR3 OR (2) TSRP3 RACEWAYS.

INVENTORS

HellermannTyton®

ALL PROPRIETARY RIGHTS IN THE SUBJECT MATTER SHOWN ON THIS DRAWING ARE EXCLUSIVE PROPERTY OF HELLERMANNTYTON

name	date	city, state

REVISION

level	01
by	PLN
date	07/15/02
ECN #	003269
part level	-

DIMENSIONS

.xxxx	= ±.0005
.xxx	= ±.005
.xx	= ±.01
.x	= ±.03
∠	= ±0.5°
unless otherwise specified	
units	inches

PART

number	SEE CHART	phase	PRODUCTION
name	TSR3-29-1 & TSRP3-29-1 1 3/4" EXTERNAL CORNER WITH 1" MIN BEND RADIUS		
material	PVC		

DRAWING

format	version	N	AH	CAD	SW	scale	3:4
computer file number	DT3032018CST_01		previous number	DT3032018A			
drawn	K.A.C.	checked	K.A.C.	approved			
	05/05/99		07/22/02				
type	CUSTOMER		sheet 1 of 1				
number	DT3032018CST						