



Chipsmall Limited consists of a professional team with an average of over 10 year of expertise in the distribution of electronic components. Based in Hongkong, we have already established firm and mutual-benefit business relationships with customers from,Europe,America and south Asia,supplying obsolete and hard-to-find components to meet their specific needs.

With the principle of "Quality Parts,Customers Priority,Honest Operation,and Considerate Service",our business mainly focus on the distribution of electronic components. Line cards we deal with include Microchip,ALPS,ROHM,Xilinx,Pulse,ON,Everlight and Freescale. Main products comprise IC,Modules,Potentiometer,IC Socket,Relay,Connector.Our parts cover such applications as commercial,industrial, and automotives areas.

We are looking forward to setting up business relationship with you and hope to provide you with the best service and solution. Let us make a better world for our industry!



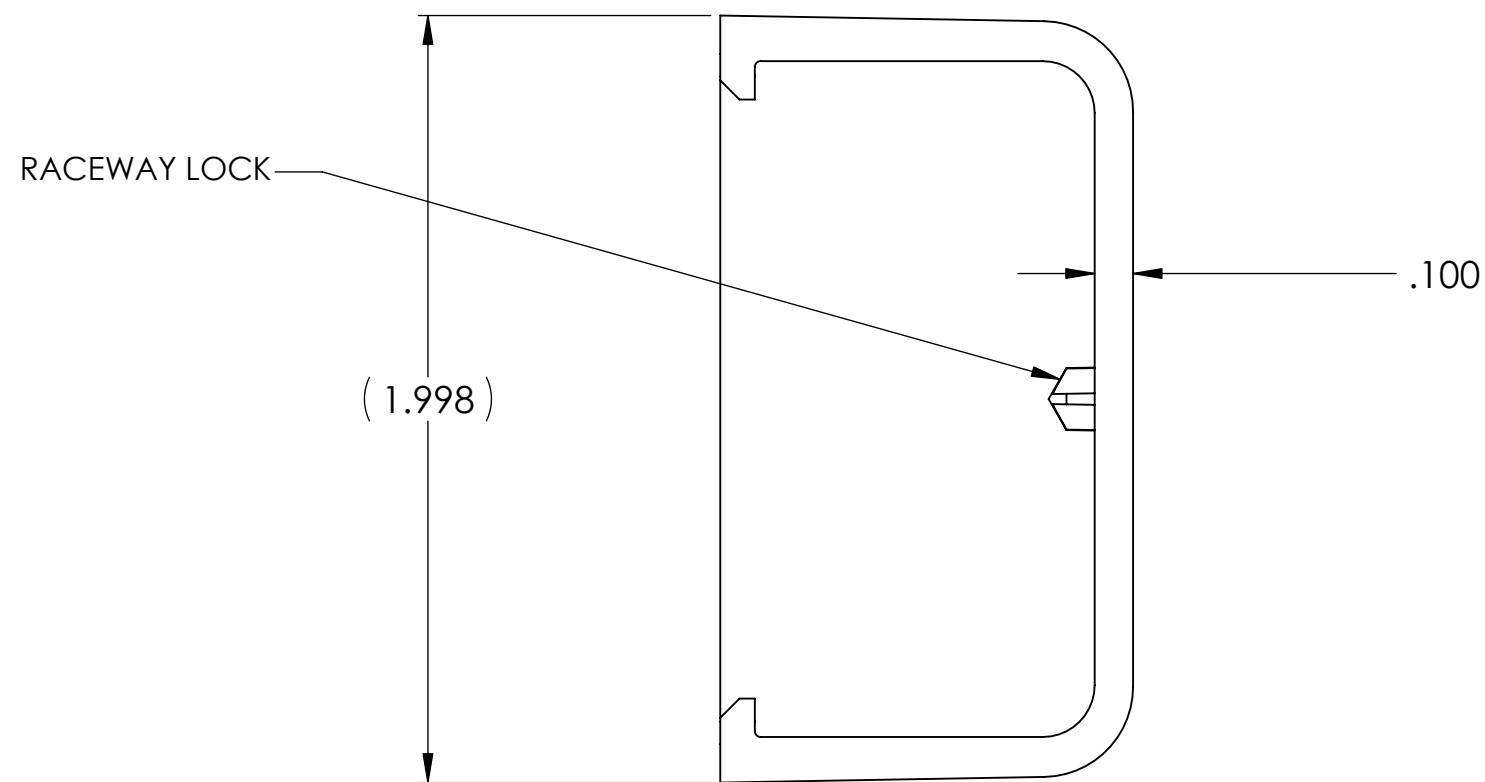
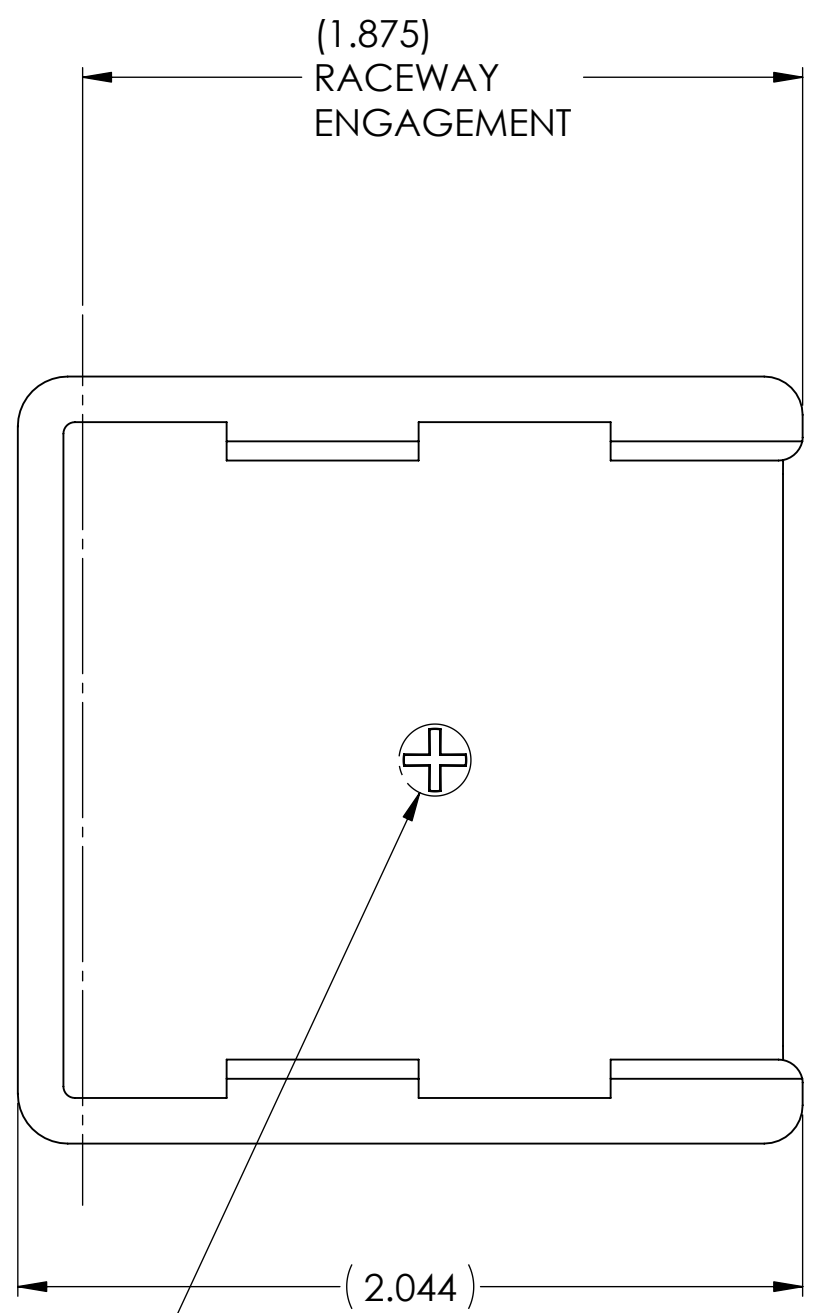
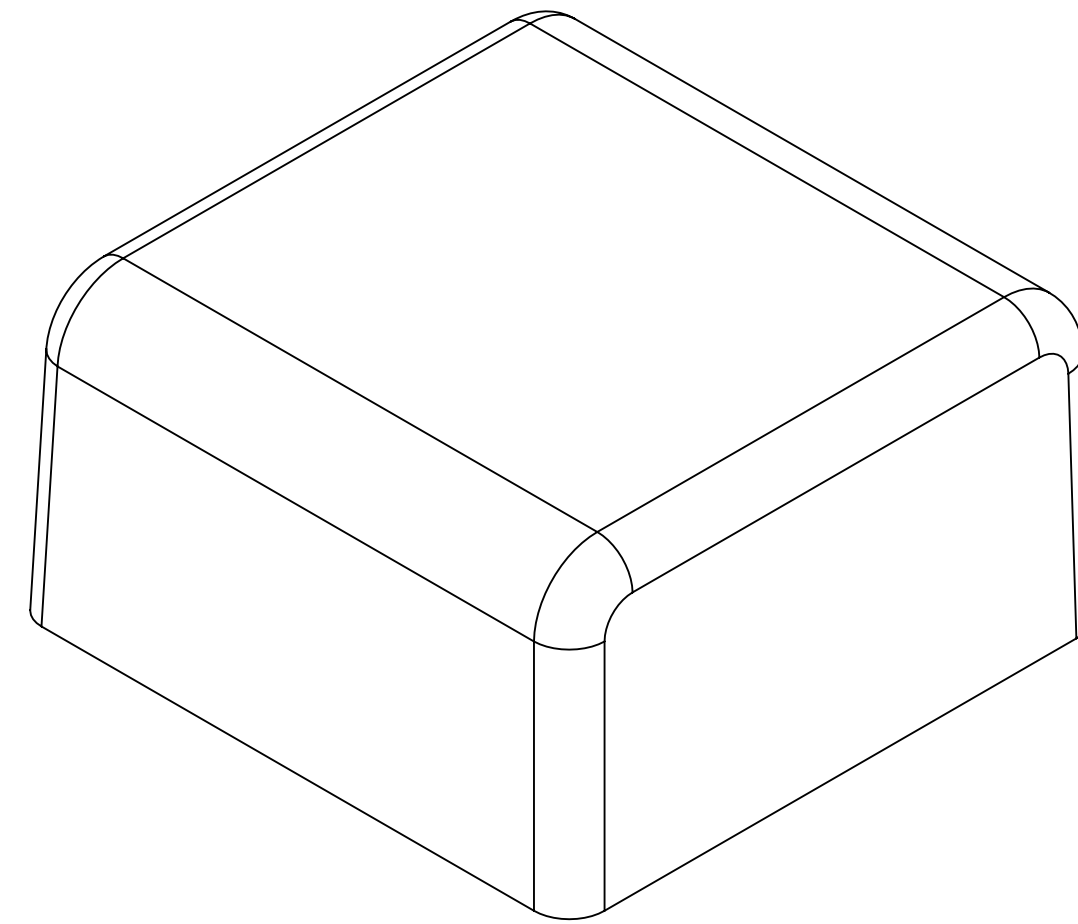
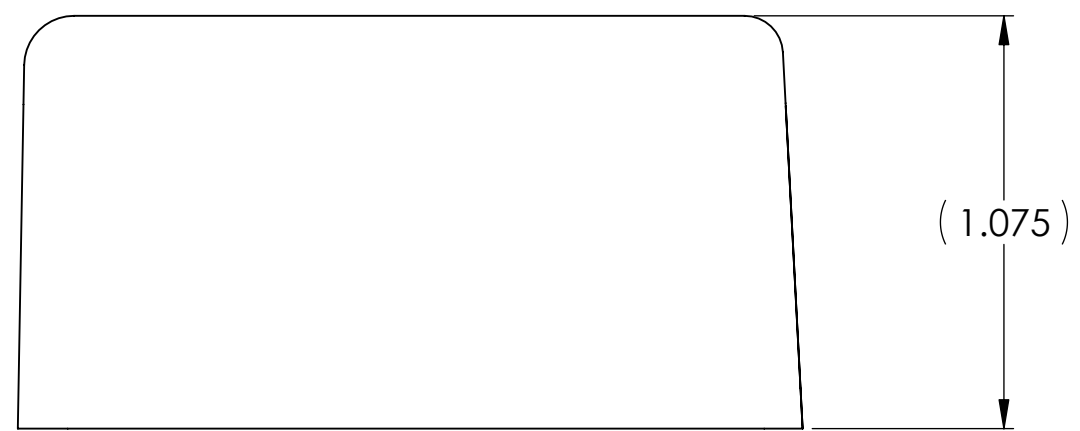
Contact us

Tel: +86-755-8981 8866 Fax: +86-755-8427 6832

Email & Skype: info@chipsmall.com Web: www.chipsmall.com

Address: A1208, Overseas Decoration Building, #122 Zhenhua RD., Futian, Shenzhen, China





| PART NO. | DESCRIPTION |
|-----------|--------------------|
| TSRP3_-36 | POWER-RATED SYSTEM |
| TSR3_-36 | LOW VOLTAGE SYSTEM |
| PART NO. | DESCRIPTION |

COLOR:
 I = IVORY
 FW = OFFICE WHITE
 W = WHITE
 (FOR OTHER COLORS
 CONTACT FACTORY)

REDUCED
 NO SCALE

HellermannTyton®
 ALL PROPRIETARY RIGHTS IN THE SUBJECT MATTER SHOWN ON THIS DRAWING ARE EXCLUSIVE PROPERTY OF HELLERMANN TYTON

| | | |
|------|------|-------------|
| name | date | city, state |
| | | |
| | | |

NOTES
 1. THIS PART MATES WITH (1) TSR3 OR (1) TSRP3 RACEWAY.

REVISIONS

| | |
|------------|----------|
| DR level | 02 |
| AW by | PLN |
| ING date | 01/16/03 |
| ECN # | 003578 |
| part level | B |

TOLERANCES

| | |
|-------|----------|
| .xxxx | = ±.0005 |
| .xxx | = ±.005 |
| .xx | = ±.01 |
| .x | = ±.03 |
| < | = ±0.5° |

unless otherwise specified
 units inches

PART

| | | | |
|----------|--------------------------------------|-------|------------|
| number | SEE CHART | phase | PRODUCTION |
| name | TSR3-36 & TSRP3-36 1 3/4" END CAP | | |
| material | PVC | | |

DRAWING

| | | | | | |
|----------------------|-----------------|---------|-----------------|----------|-----|
| format version N | C | CAD | SW | scale | 2:1 |
| computer file number | DT3026112CST_02 | | previous number | | |
| drawn | MN/CE | checked | KAC | approved | |
| date | 05/18/99 | | 03/27/03 | | |
| type | CUSTOMER | | sheet | 1 of 1 | |
| number | DT3026112CST | | | | |