



Chipsmall Limited consists of a professional team with an average of over 10 year of expertise in the distribution of electronic components. Based in Hongkong, we have already established firm and mutual-benefit business relationships with customers from,Europe,America and south Asia,supplying obsolete and hard-to-find components to meet their specific needs.

With the principle of “Quality Parts,Customers Priority,Honest Operation,and Considerate Service”,our business mainly focus on the distribution of electronic components. Line cards we deal with include Microchip,ALPS,ROHM,Xilinx,Pulse,ON,Everlight and Freescale. Main products comprise IC,Modules,Potentiometer,IC Socket,Relay,Connector.Our parts cover such applications as commercial,industrial, and automotives areas.

We are looking forward to setting up business relationship with you and hope to provide you with the best service and solution. Let us make a better world for our industry!



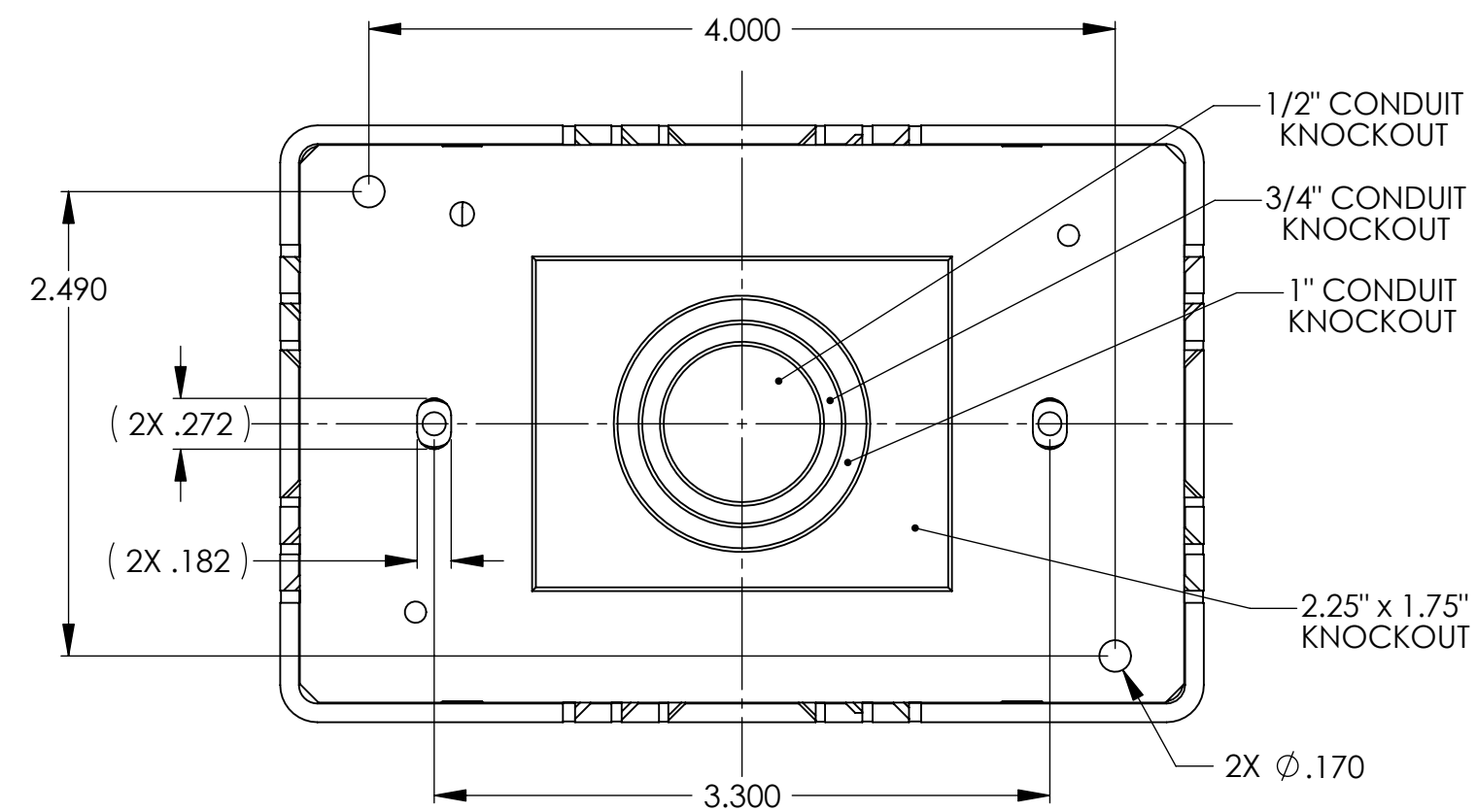
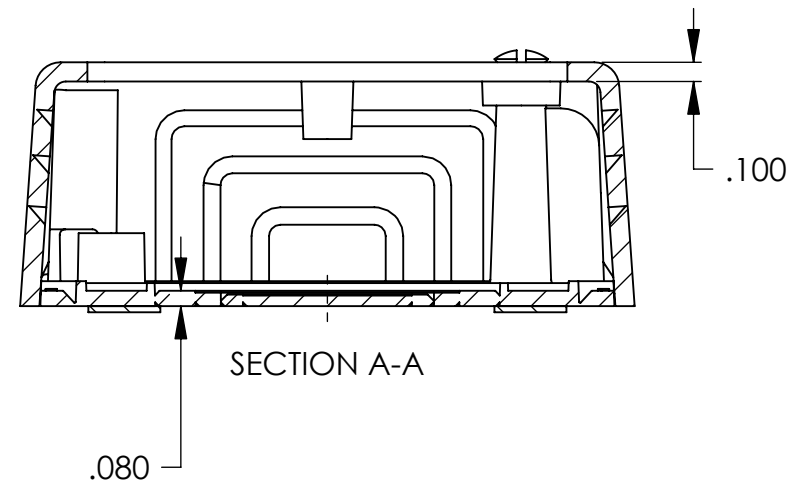
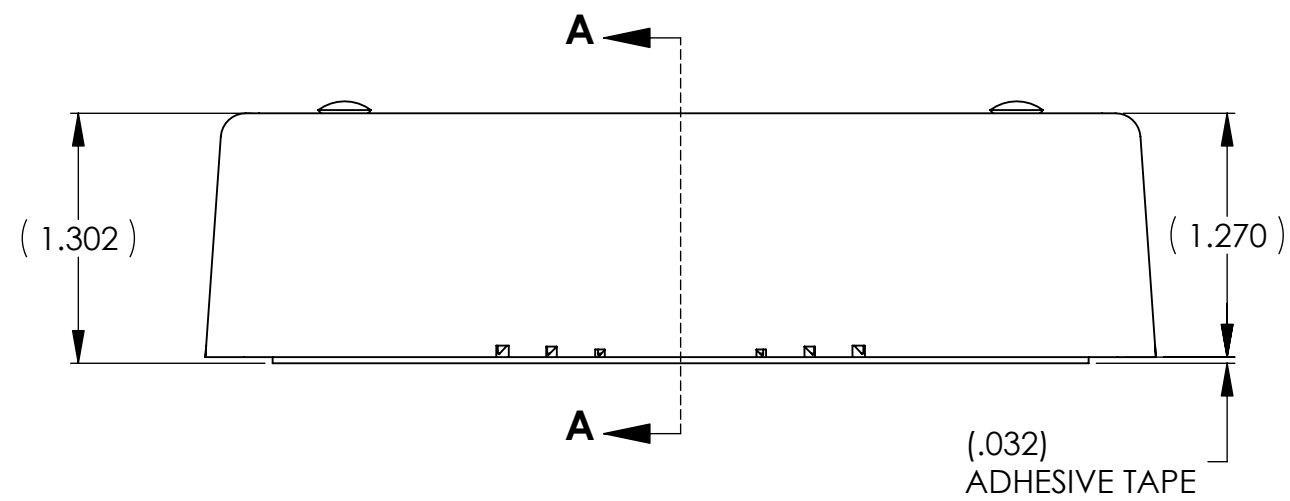
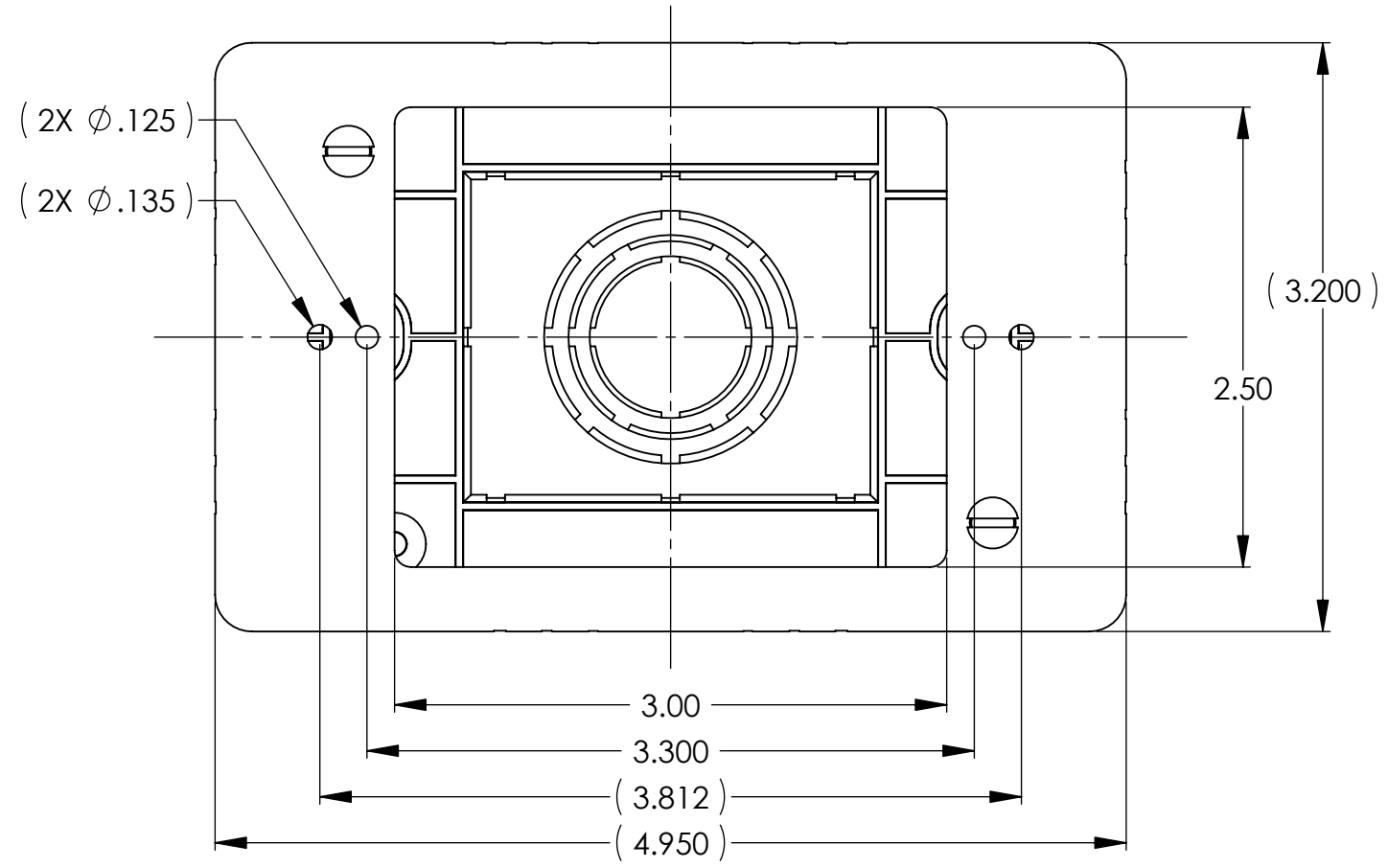
Contact us

Tel: +86-755-8981 8866 Fax: +86-755-8427 6832

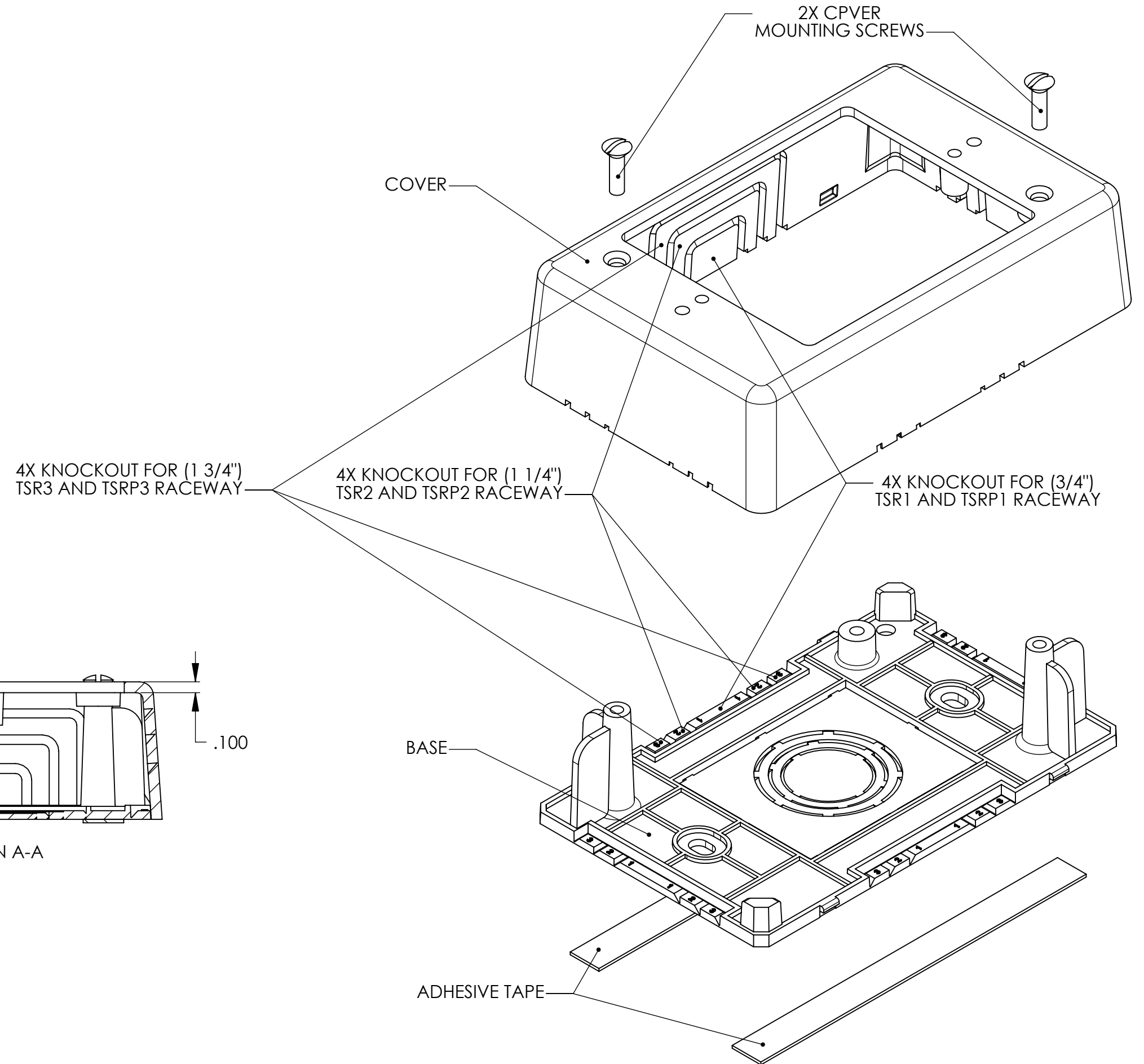
Email & Skype: info@chipsmall.com Web: www.chipsmall.com

Address: A1208, Overseas Decoration Building, #122 Zhenhua RD., Futian, Shenzhen, China





BOTTOM VIEW SHOWN WITHOUT ADHESIVE TAPE



PART NO. DESCRIPTION

TSR_-JB1

TSRP_-JB1	POWER-RATED SYSTEM
TSR_-JB1	LOW VOLTAGE SYSTEM
PART NO.	DESCRIPTION

COLOR:
I = IVORY
FW = OFFICE WHITE
W = WHITE
(FOR OTHER COLORS
CONTACT FACTORY)

REDUCED
NO SCALE

HellermannTyton
ALL PROPRIETARY RIGHTS IN THE SUBJECT MATTER SHOWN ON THIS DRAWING ARE EXCLUSIVE PROPERTY OF HELLERMANN TYTON

name	date	city, state

- NOTES**
- FEATURES**
- ADHESIVE BACKED BASE FOR EASY PLACEMENT OF BOX DURING ASSEMBLY
 - SCREWS PROVIDED FOR MOUNTING OF COVER TO BASE
 - KNOCKOUT ENTRIES FOR ALL 3 SIZES OF TSR AND TSRP RACEWAY
 - LOW PROFILE
 - PAINABLE WITH LATEX BASED PAINT
 - FACE PLATE MOUNTS TO COVER DIRECTLY FOR EASY ACCESS
 - TWO DIFFERENT SETS OF MOUNTING HOLES FOR SURFACE MOUNT OR FOR MOUNTING DIRECTLY TO A FLUSH WALL JUNCTION BOX VIA LARGE RECTANGULAR KNOCKOUT IN BASE
 - BASE IS RIBBED FOR STABILITY

REVISION

level	01
by	PLN
date	07/17/02
ECN #	003274
part level	-

TOLERANCES

.xxxx	= ±.0005
.xxx	= ±.005
.xx	= ±.01
.x	= ±.03
∠	= ±0.5°

unless otherwise specified

units inches

PART

number	SEE CHART	phase	PRODUCTION
name	TSR-JB1 & TSRP-JB1 JUNCTION BOX SURFACE RACEWAY CONNECTOR		
material	PVC		

DRAWING

format version N	C	CAD	SW	scale	1:1
computer file number	DT3026303CST_01	previous number	DT\CST\3026303A	checked	approved
drawn	K.A.C.	checked	K.A.C.	date	07/23/02
type	CUSTOMER	sheet	1 of 1	number	DT3026303CST